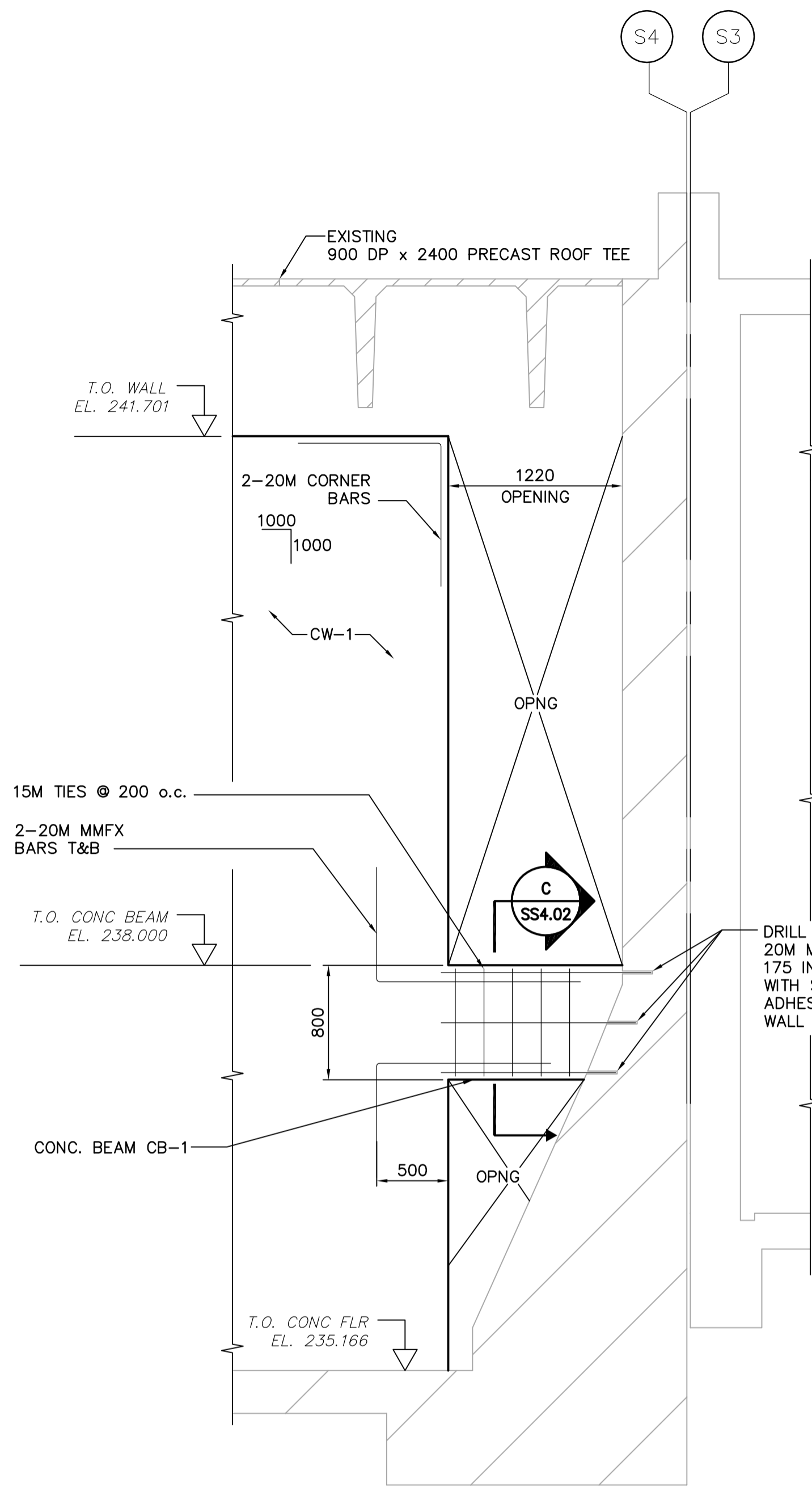
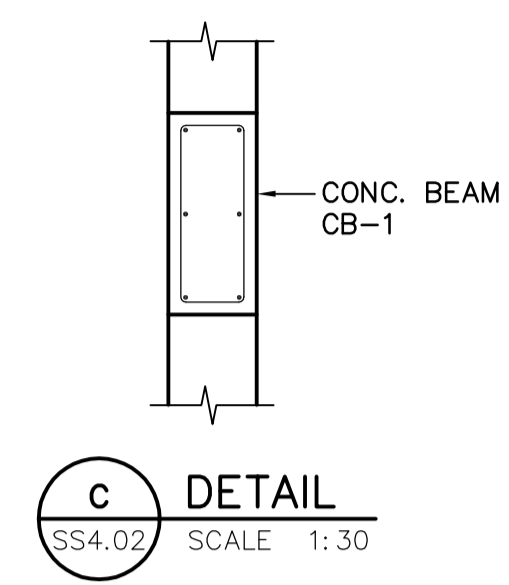


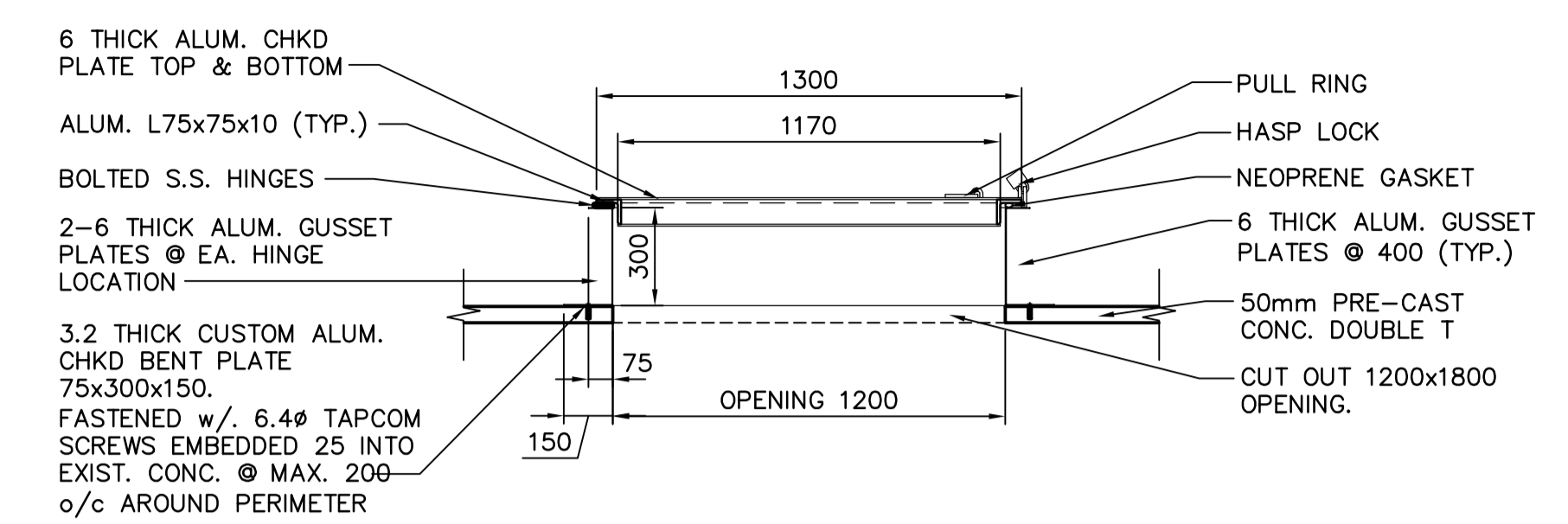
A TYP NOTCH DETAIL @ TOP OF CW-1
SS3.01 SCALE 1:20



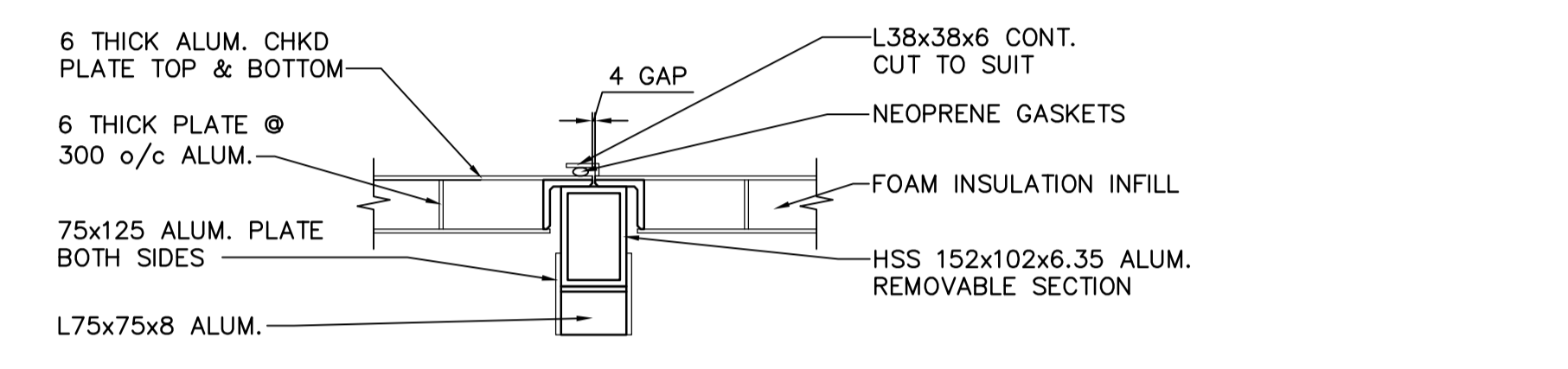
B DETAIL
SS3.02 SCALE 1:30



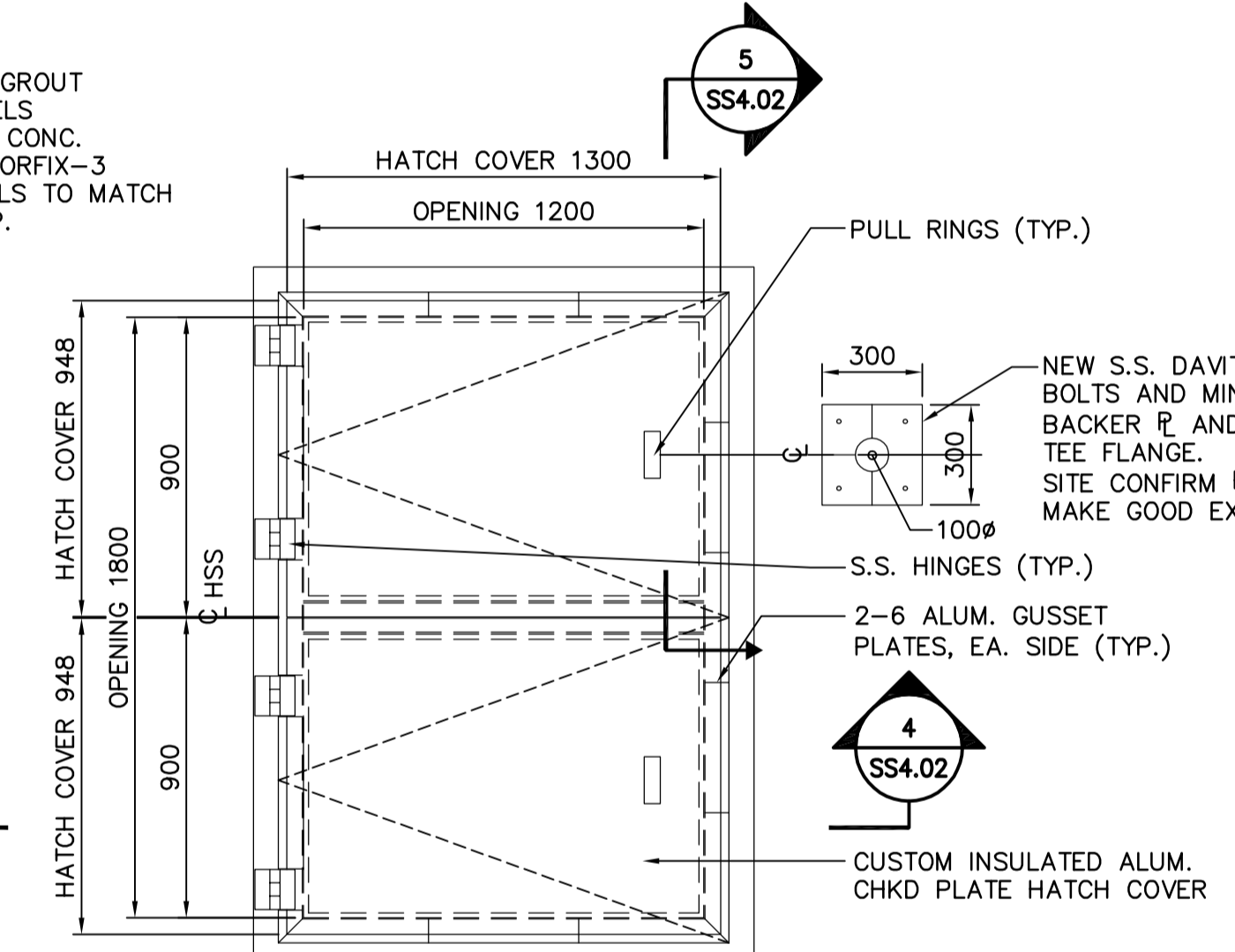
C DETAIL
SS4.02 SCALE 1:30



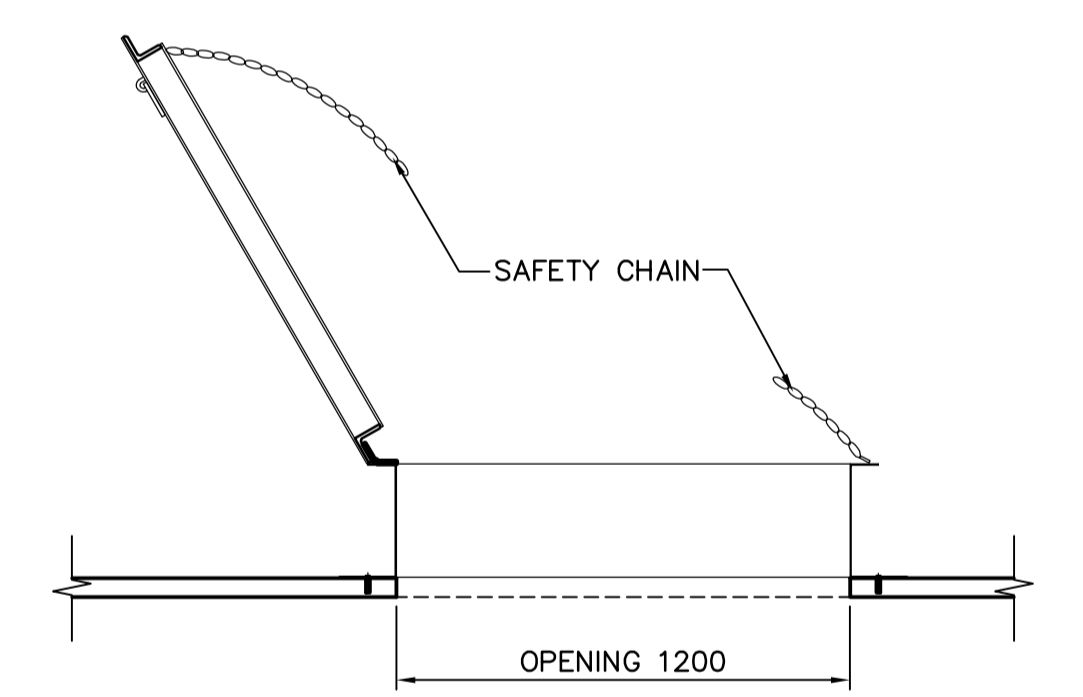
4 1200x1800 ACCESS HATCH SECTION
SS4.02 SCALE 1:20



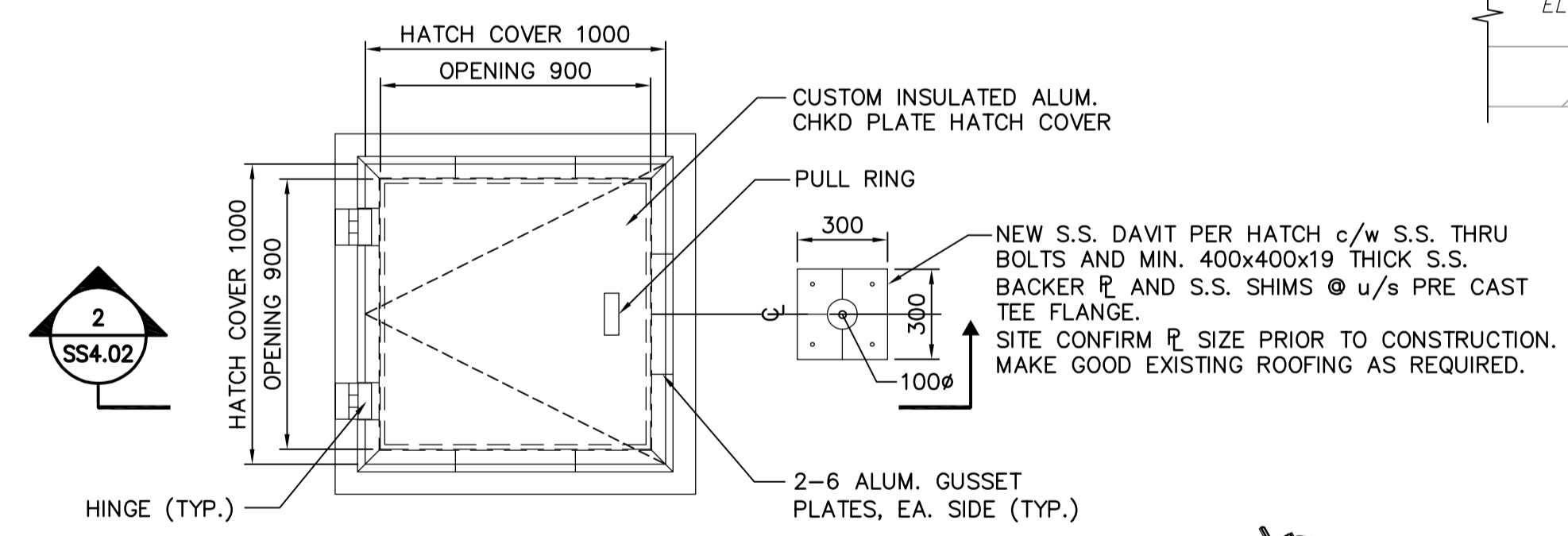
5 DETAIL
SS4.02 SCALE 1:20



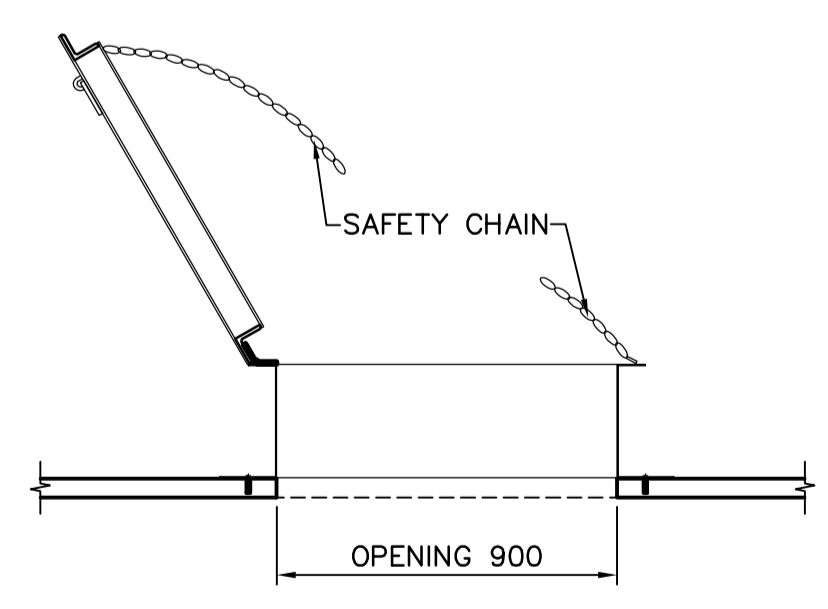
3 1200x1800 ACCESS HATCH PLAN
SS2.04 SCALE 1:20



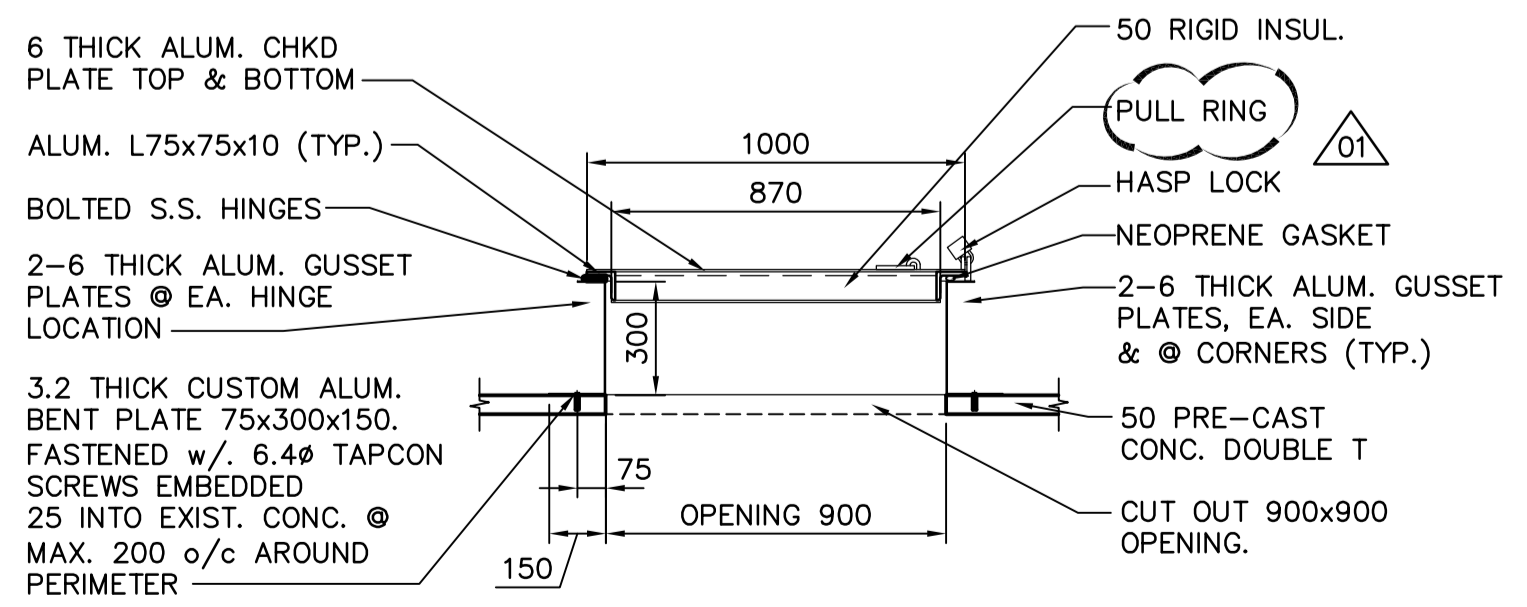
1200x1800 ACCESS HATCH
ADDITIONAL DETAIL
SCALE 1:20



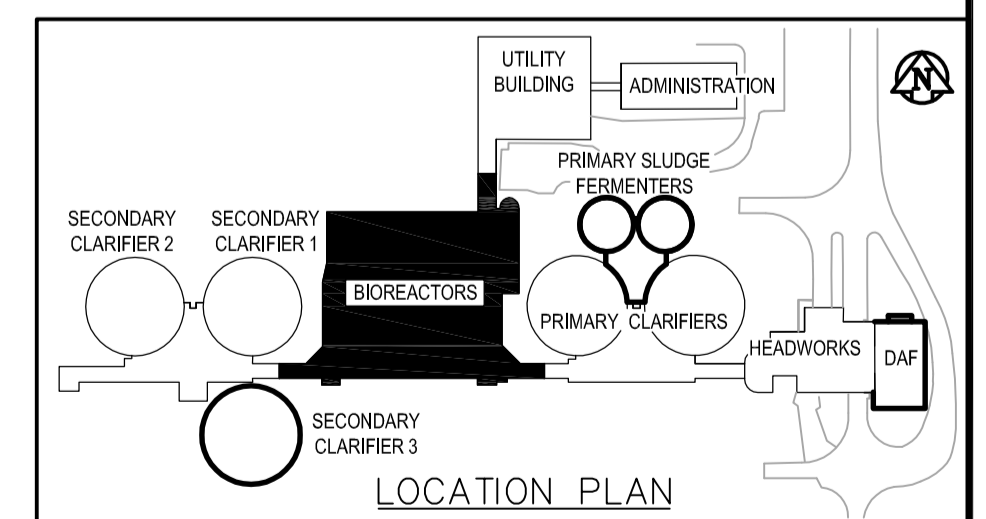
1 900x900 ACCESS HATCH PLAN
SS4.02 SCALE 1:20



900x900 ACCESS HATCH
ADDITIONAL DETAIL
SCALE 1:20



2 900x900 ACCESS HATCH SECTION
SS4.02 SCALE 1:20



<p>EarthTech A Tyco International Ltd. Company</p>				<p>ENGINEER'S SEAL</p> <p>ORIGINAL SIGNED BY J. BETKE</p> <p>2006/04/26</p>		<p>THE CITY OF WINNIPEG WATER AND WASTE DEPARTMENT ENGINEERING DIVISION</p>	
<p>DESIGNED BY: AA/JB</p> <p>CHECKED BY: AA/JB</p> <p>DRAWN BY: WDB</p> <p>APPROVED BY: JEH</p> <p>HOR. SCALE: AS NOTED</p> <p>RELEASED FOR CONSTRUCTION BY: J. VEILLEUX</p> <p>VERTICAL SCALE:</p>				<p>CONSULTANT DRAWING NO. SS4.02</p>		<p>WEWPCB BIOLOGICAL NUTRIENT REMOVAL UPGRADE CONTRACT 3</p>	
<p>01 21-2006 ADDENDUM 3 06/05/19 CMF</p> <p>00 ISSUED FOR TENDER 06/04/26 KK</p>				<p>NO. REVISIONS</p> <p>DATE</p> <p>2006/02/16</p> <p>DATE</p> <p>2006/04/26</p>		<p>CITY FILE NUMBER</p> <p>SHEET OF</p> <p>CITY DRAWING NUMBER</p>	
<p>APEGM Certificate of Authorization Earth Tech Canada Inc. No. 730 Expiry: April 30, 2006</p>				<p>STRUCTURAL AREA S - BIOREACTORS DETAILS</p>		<p>2006/02/16</p>	