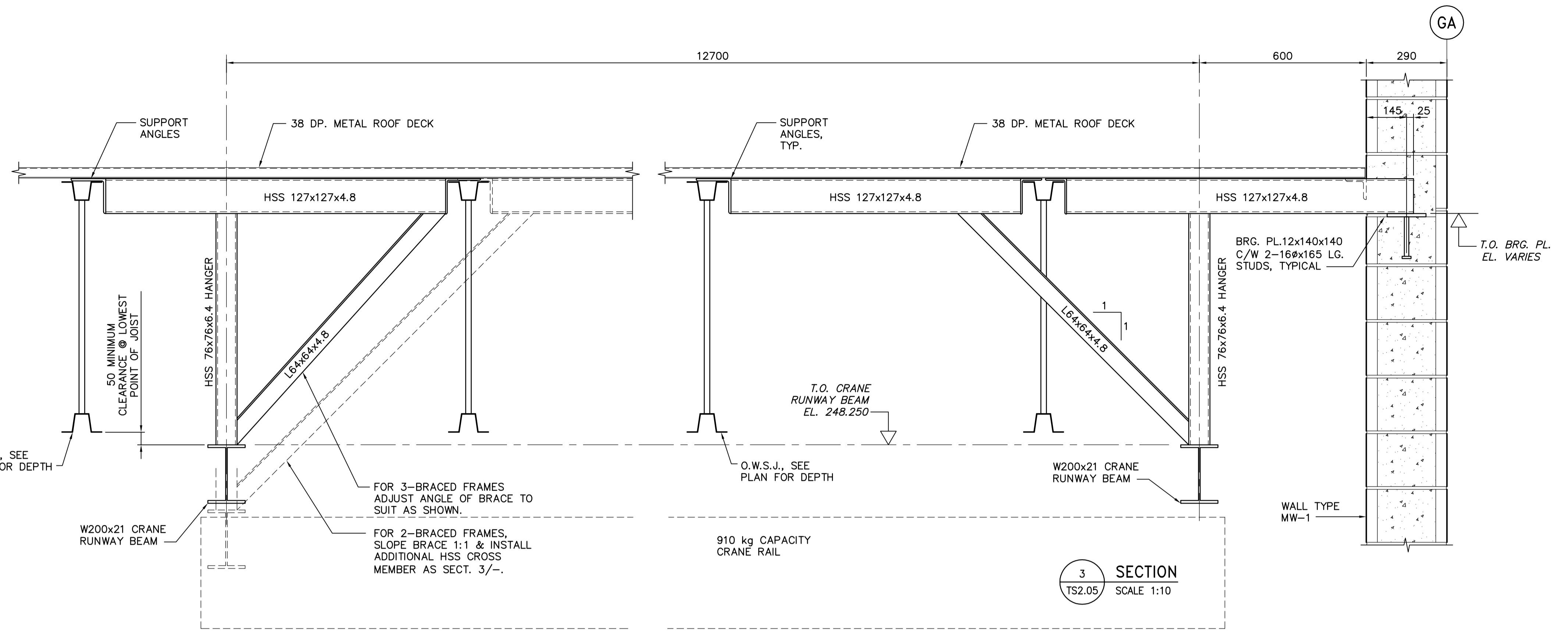
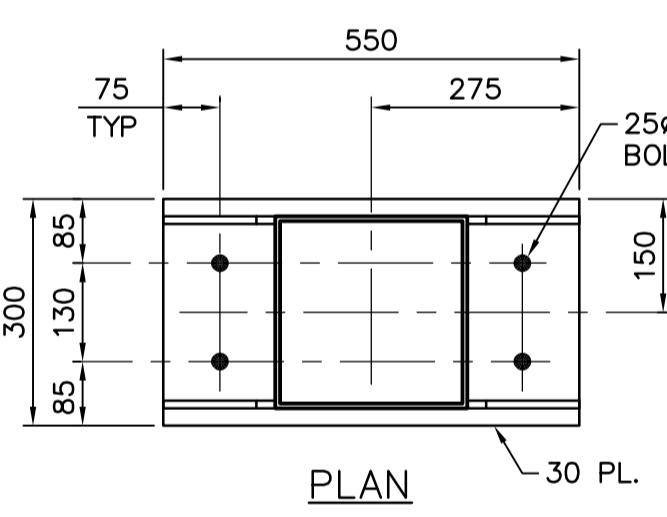


1 SECTION  
TS2.04 SCALE 1:10

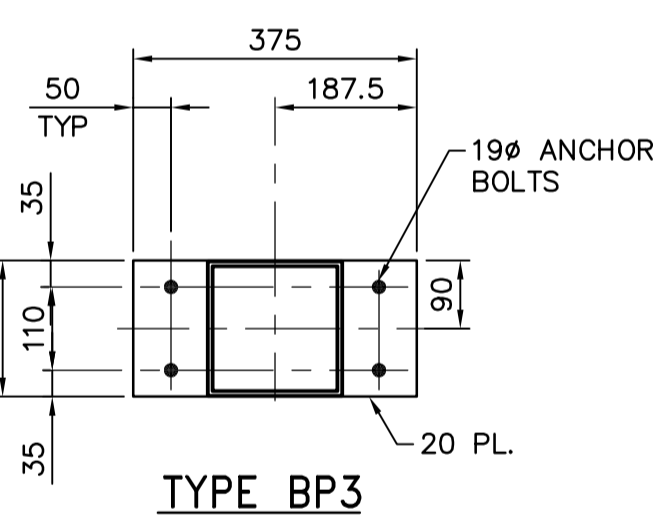


2 SECTION  
TS2.05 SCALE 1:10

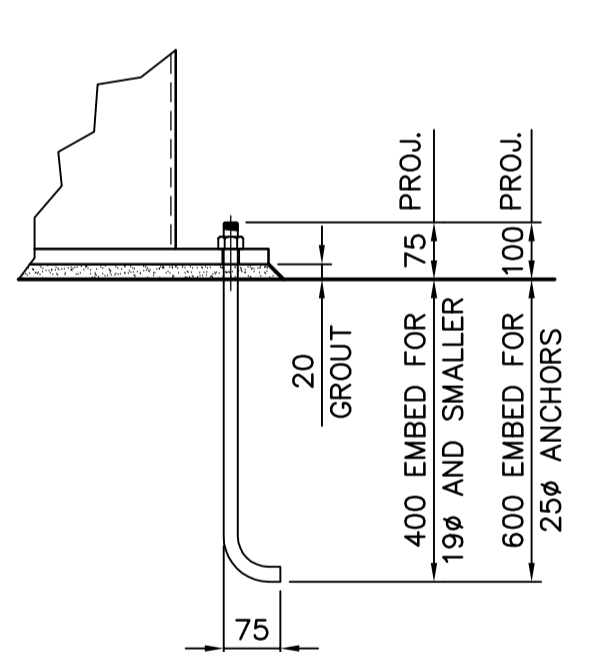
3 SECTION  
TS2.05 SCALE 1:10



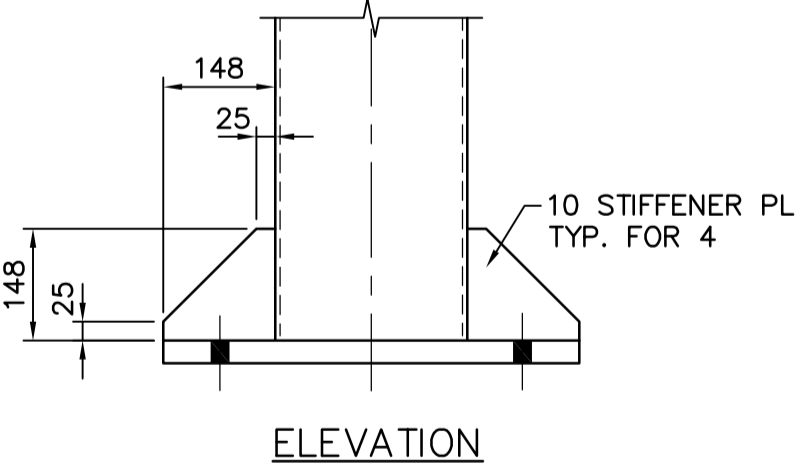
PLAN



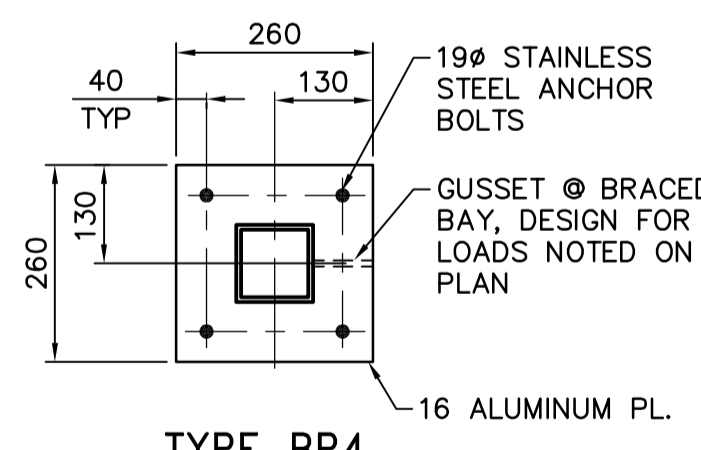
TYPE BP3



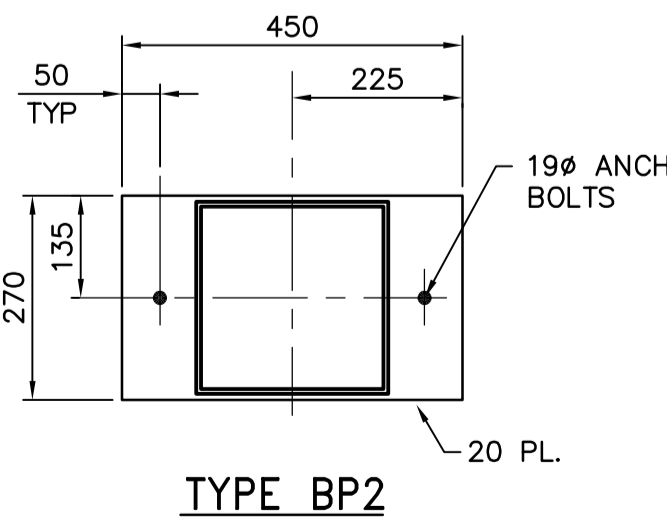
ANCHOR BOLT DETAILS  
1:10



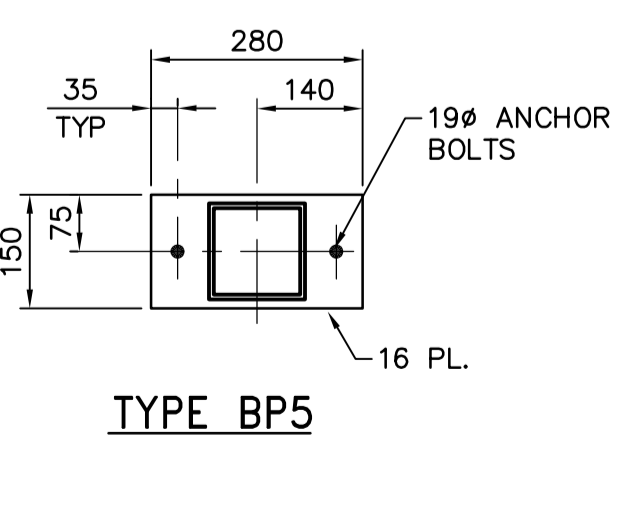
ELEVATION



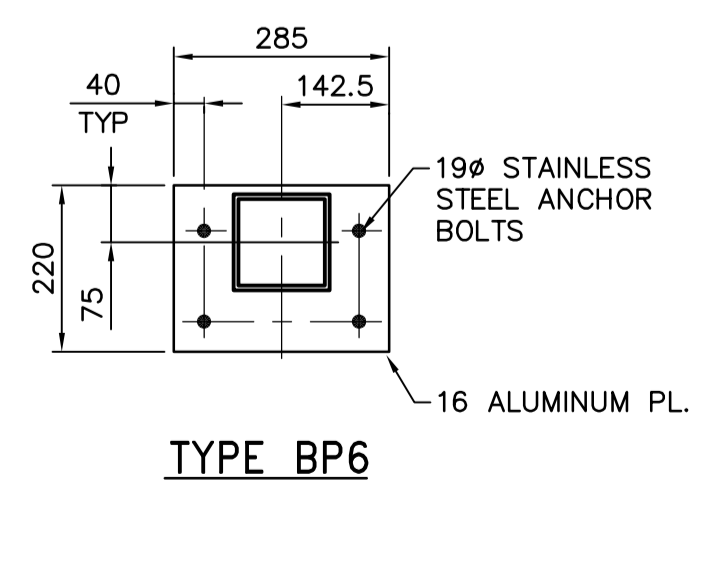
TYPE BP4



TYPE BP2

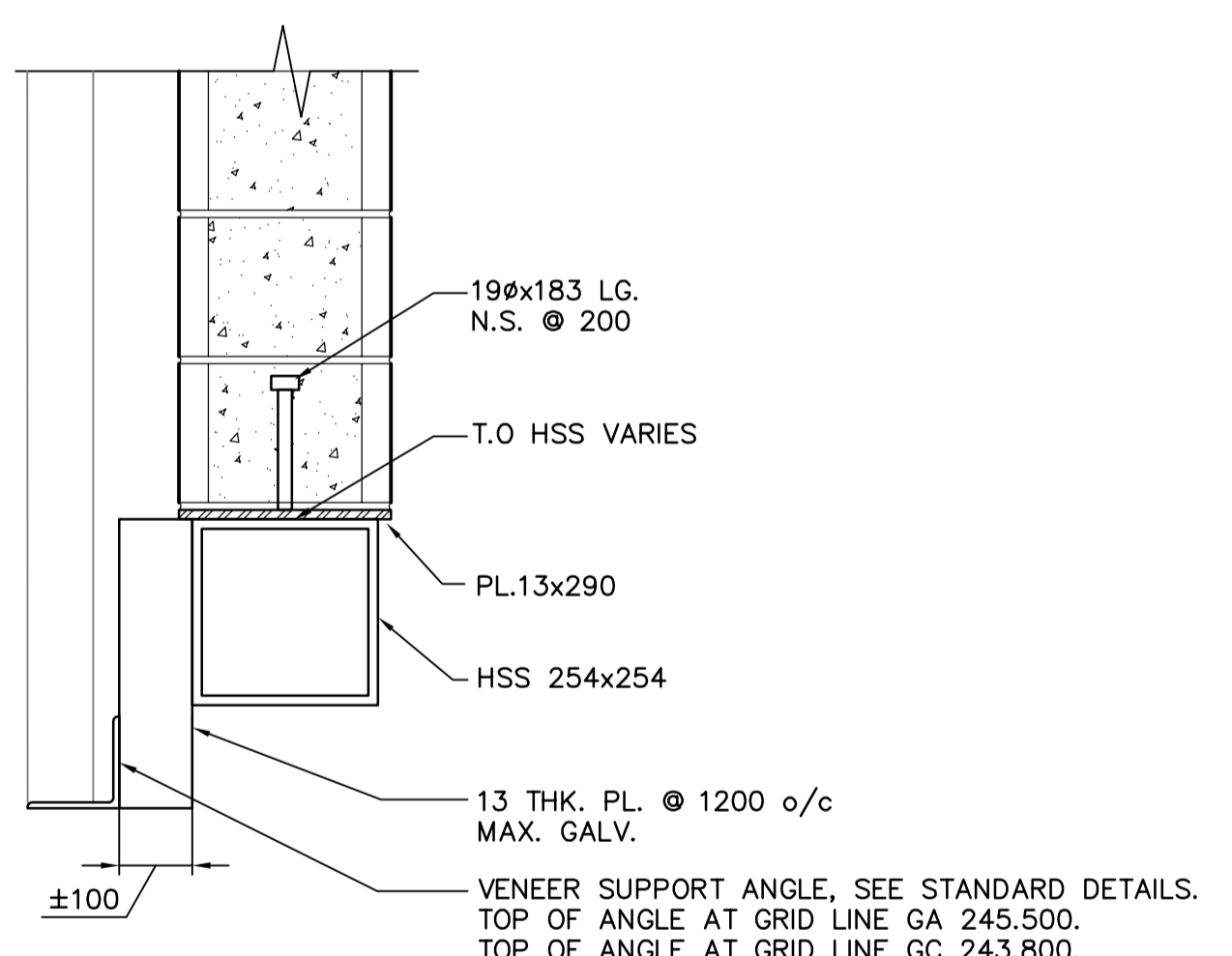


TYPE BP5

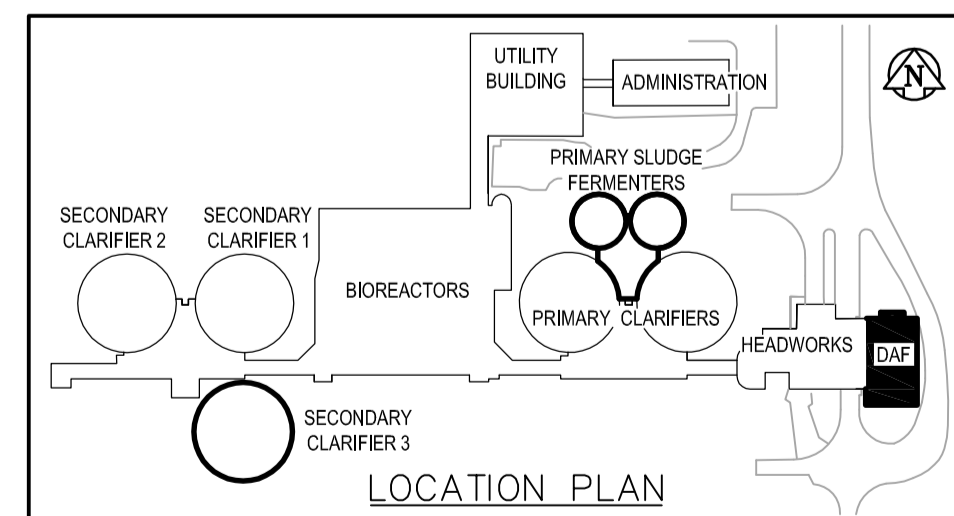


TYPE BP6

BASE PLATE DETAILS  
1:10



4 SECTION  
TS5.05 SCALE 1:10



LOCATION PLAN

**APEGM**  
Certificate of Authorization  
Earth Tech Canada Inc.  
No. 730 Expiry: April 30, 2006

NO.	REVISIONS	DATE	BY
01	21-2006 ADDENDUM 3	06/05/19	WDB
00	ISSUED FOR TENDER	06/04/26	CMF

<b>EarthTech</b> A Tyco International Ltd. Company	
DESIGNED BY: ARA	CHECKED BY: LR
DRAWN BY: NDH	APPROVED BY: JEJ
HOR. SCALE: AS NOTED VERTICAL SCALE:	
DATE: 2006/03/13	DATE: 2006/04/26

ENGINEER'S SEAL  
ORIGINAL SIGNED BY  
L.L. RIDING  
2006/04/26  
CONSULTANT DRAWING NO.  
TS5.06

**THE CITY OF WINNIPEG**  
WATER AND WASTE DEPARTMENT  
ENGINEERING DIVISION

**WEWPC**  
BIOLOGICAL NUTRIENT REMOVAL UPGRADE  
CONTRACT 3

STRUCTURAL  
AREA T - DAF THICKENER BUILDING  
SECTIONS AND DETAILS

CITY FILE NUMBER  
SHEET OF  
CITY DRAWING NUMBER