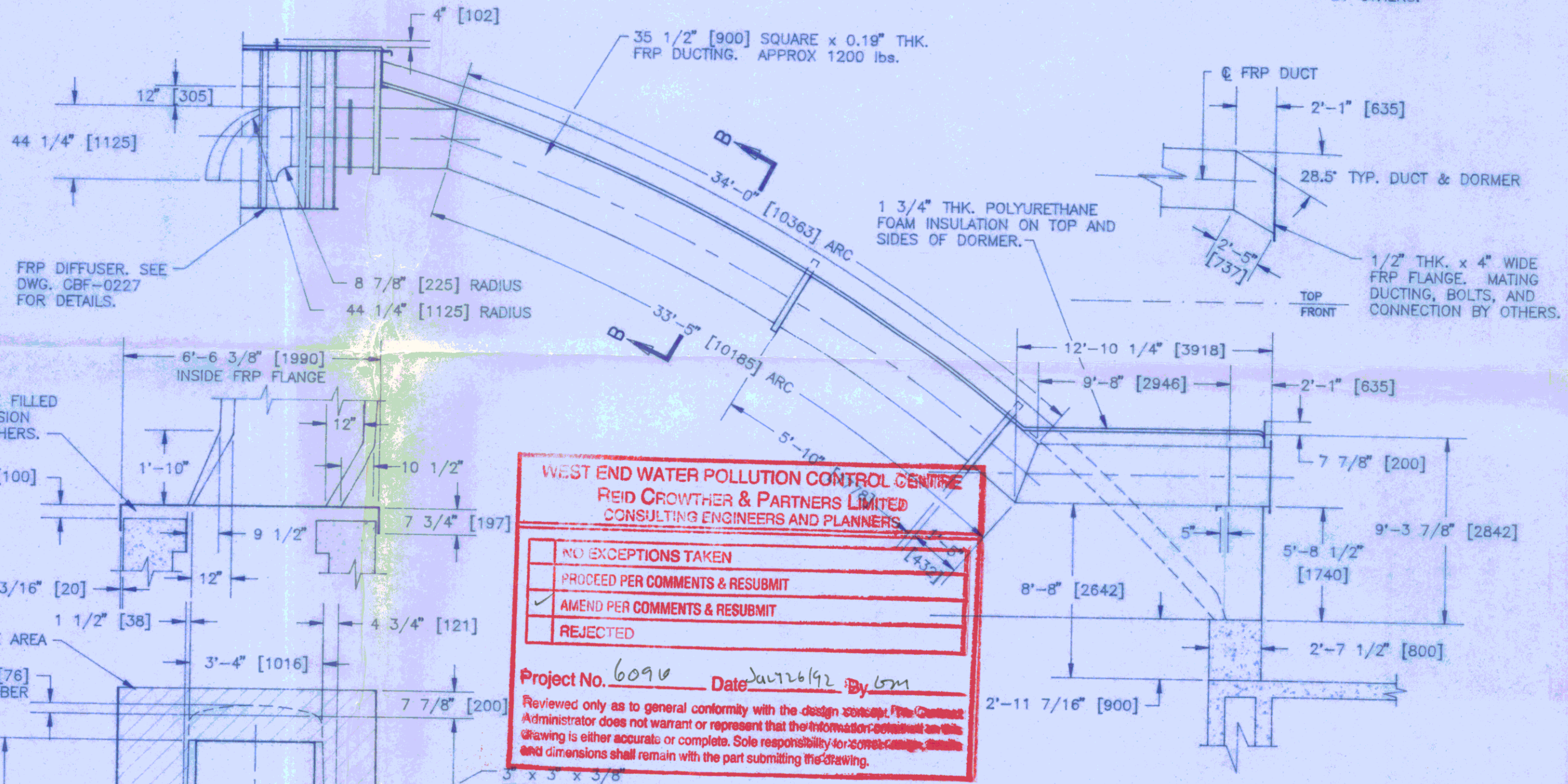
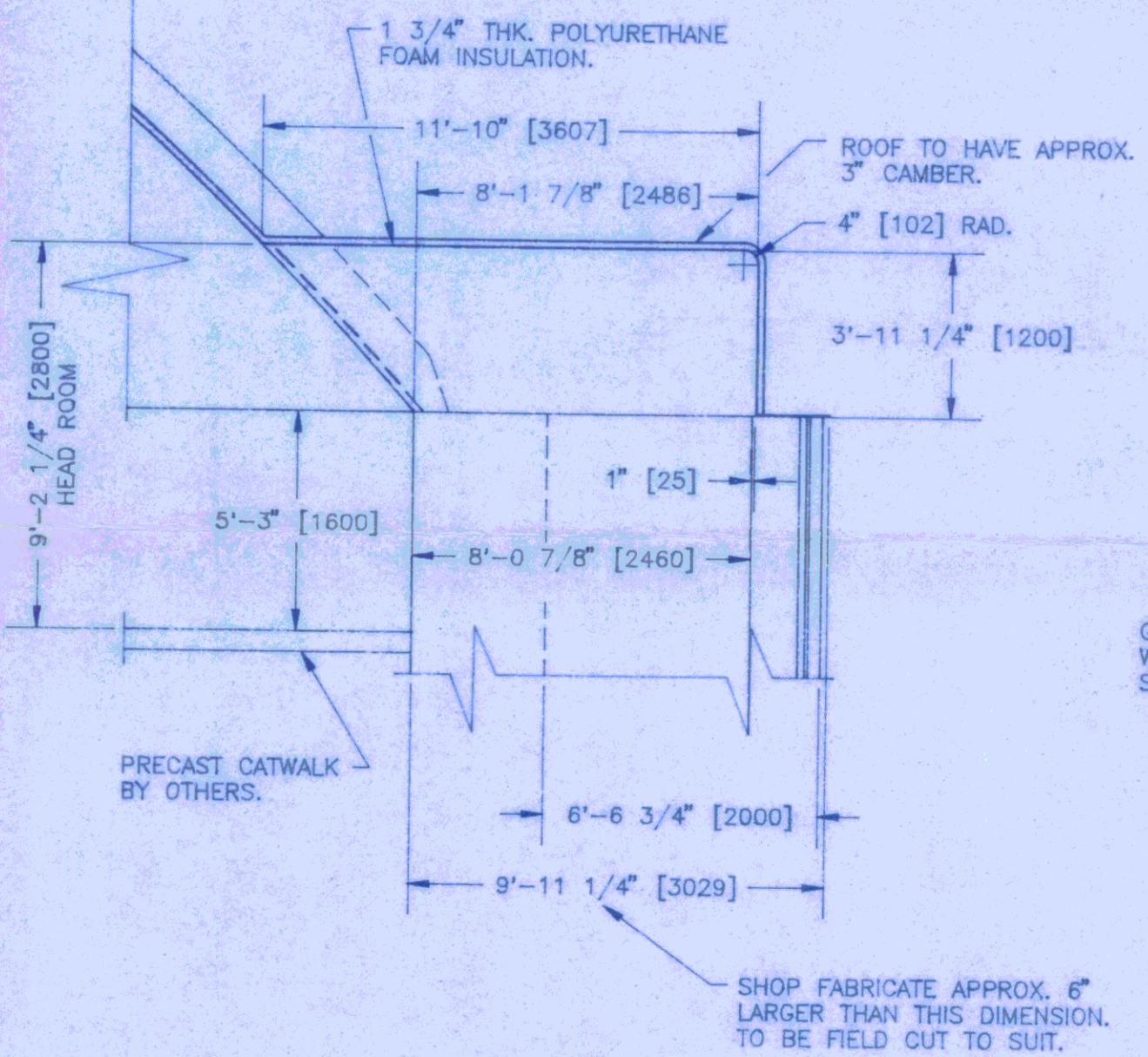
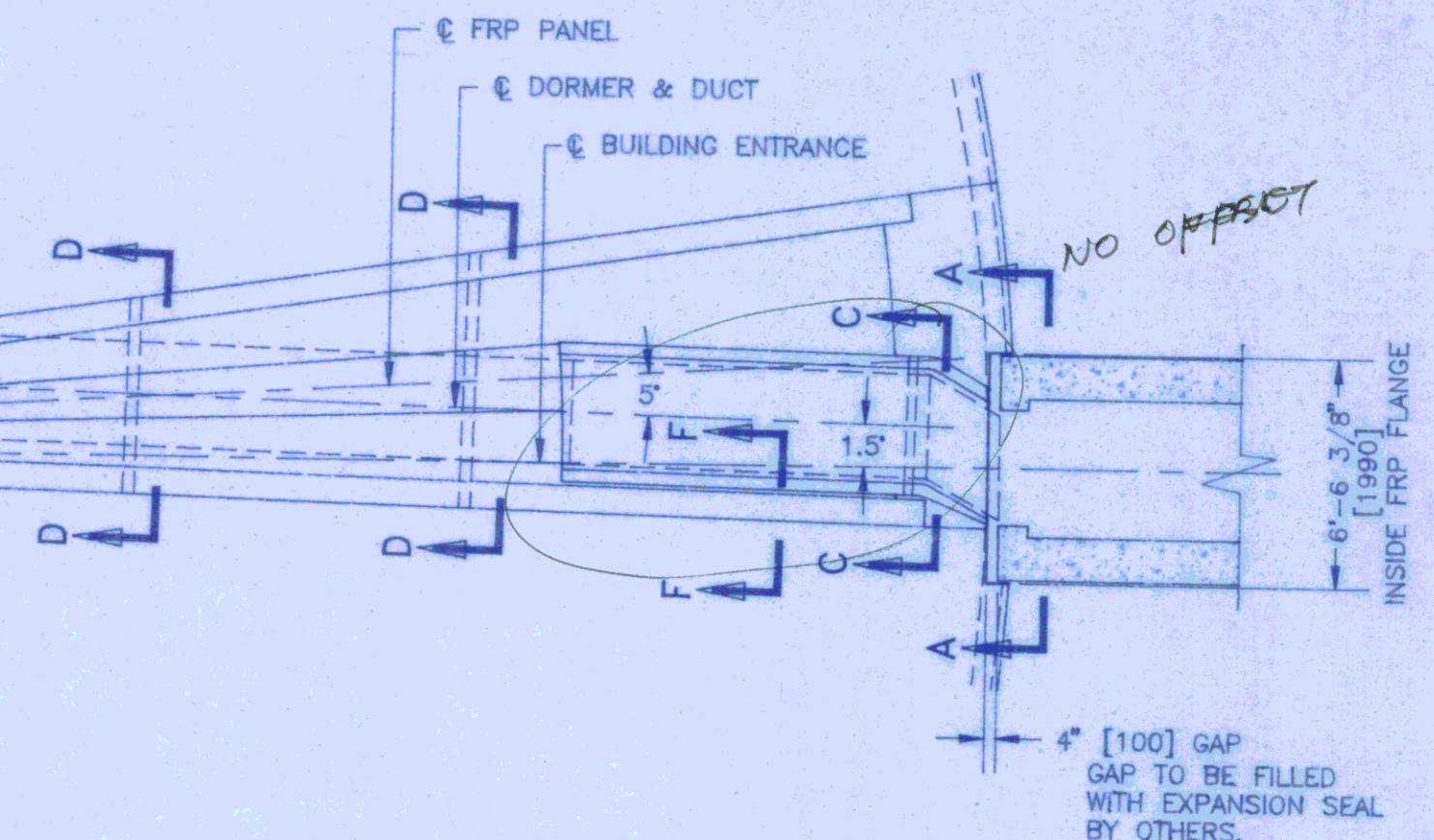
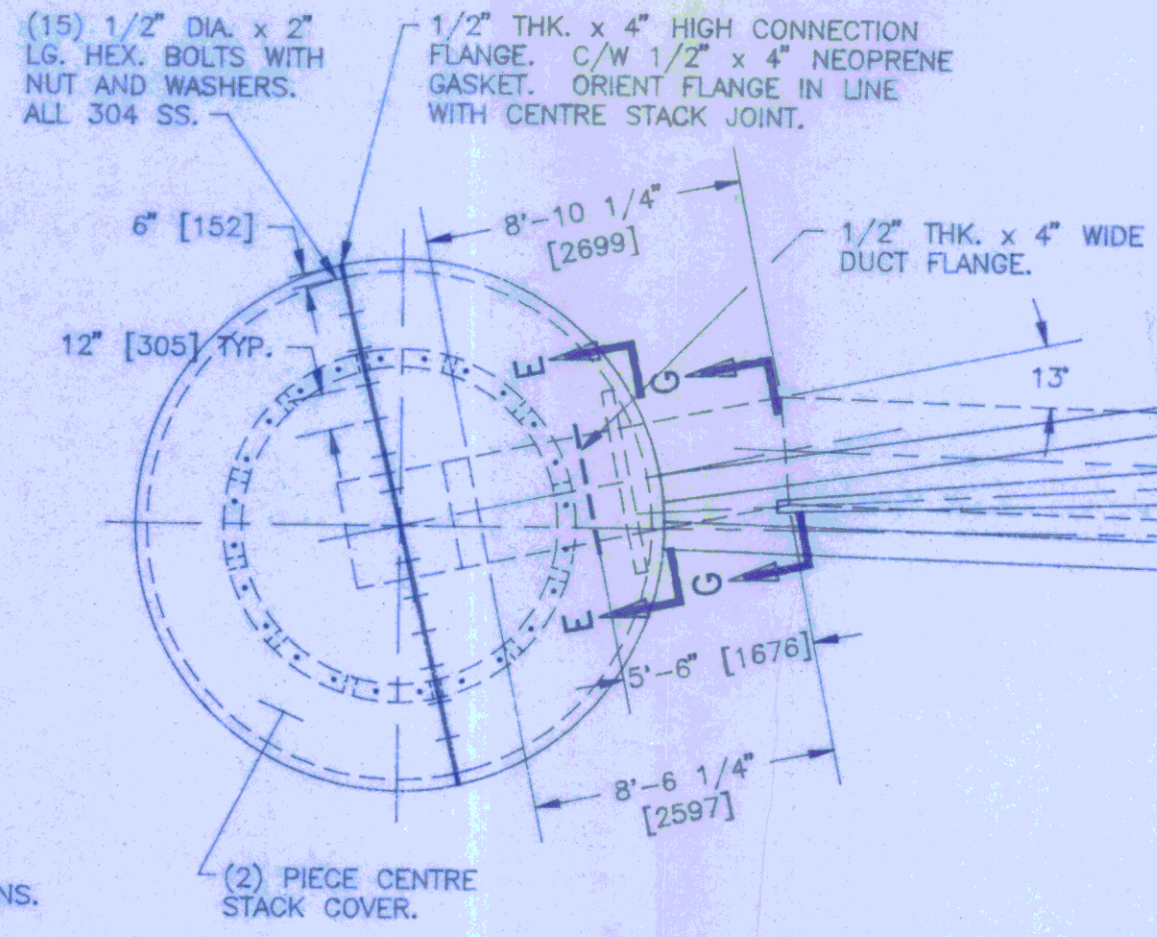
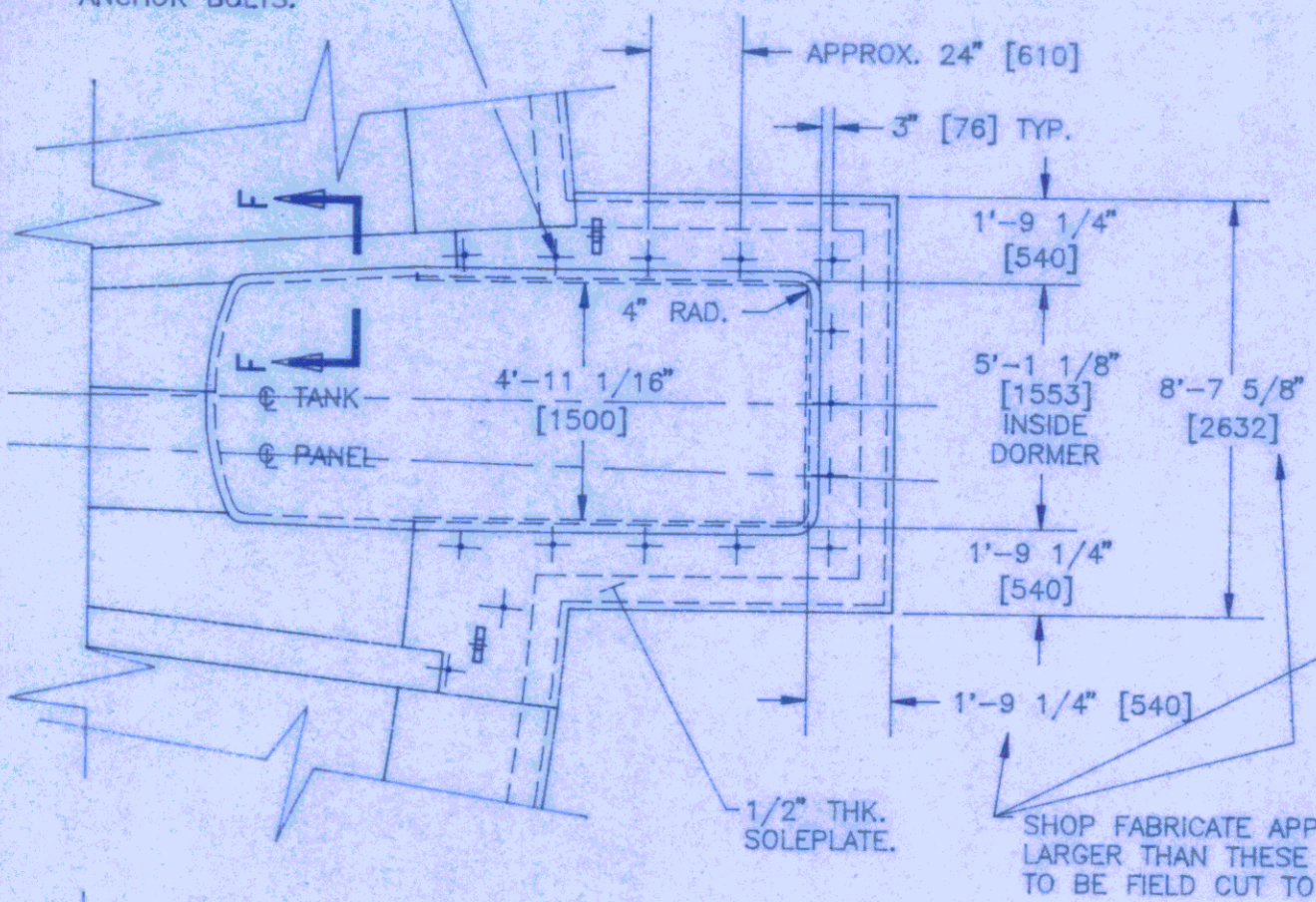


FIELD DRILL FOR 1/2" DIA. 304 SS ADHESIVE ANCHOR BOLTS.



WEST END WATER POLLUTION CONTROL CENTRE
REID GROWTH & PARTNERS LIMITED
CONSULTING ENGINEERS AND PLANNERS

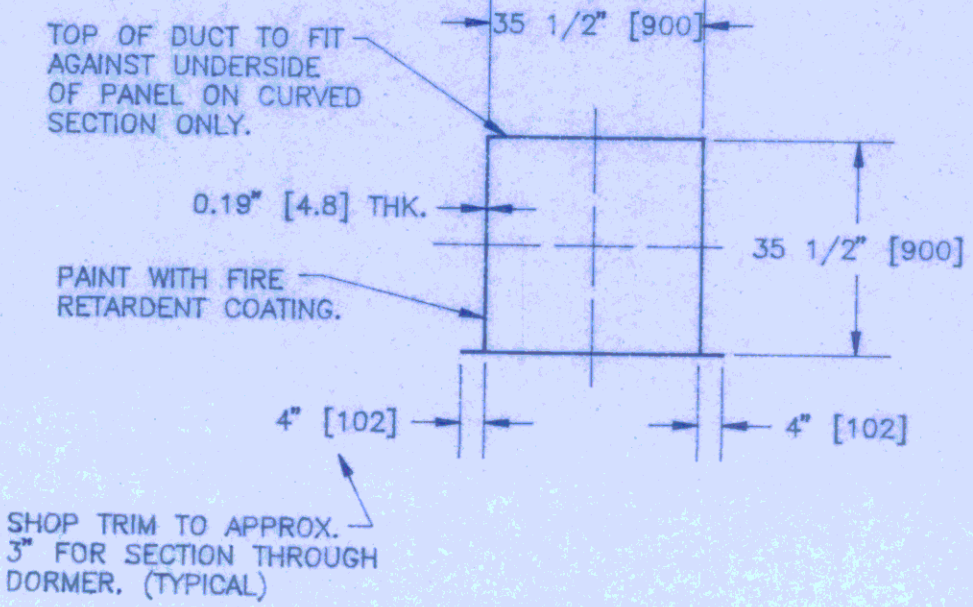
NO EXCEPTIONS TAKEN
PROCEED PER COMMENTS & RESUBMIT
AMEND PER COMMENTS & RESUBMIT
REJECTED

Project No. 6096 Date Jan 26/92 By GJM

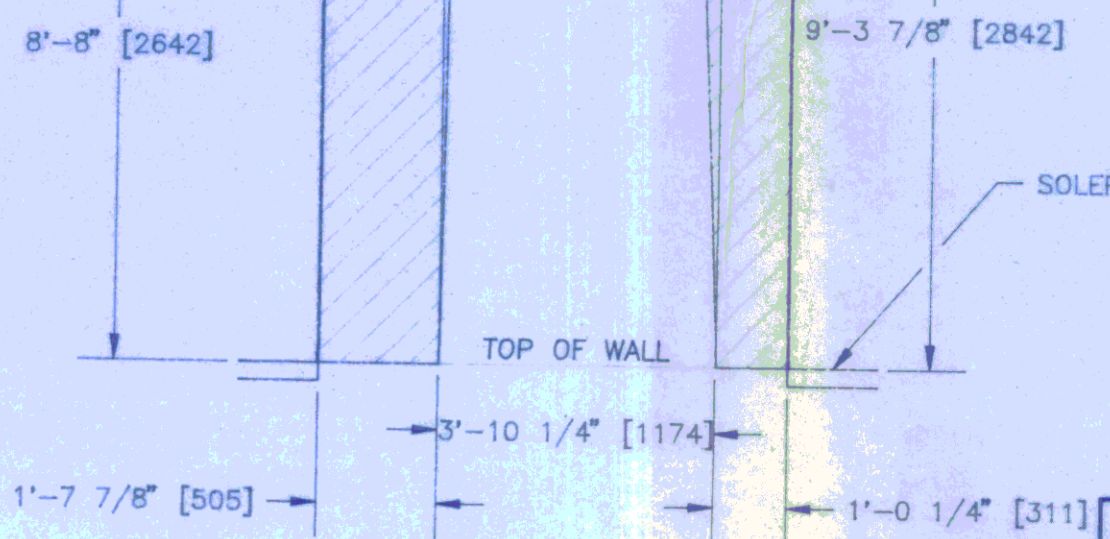
Reviewed only as to general conformity with the design concept. The Consultant Administrator does not warrant or represent that the information contained in this drawing is either accurate or complete. Sole responsibility for correct design, details and dimensions shall remain with the party submitting the drawing.

-FRP SCUM BOX DORMER-
SCALE 1/4"=1'-0"

-FRP ENTRANCE DORMER-
SCALE 3/16"=1'-0"



-SECTION BB-
SCALE 3/8"=1'-0"



-SECTION AA-
SCALE 3/8"=1'-0"

NOTE:
SEE DRAWING CBF-0226 FOR GENERAL NOTES.

THIS DOCUMENT IS THE PROPERTY OF CANBAR INC. AND SHALL NOT BE REPRODUCED, COPIED OR MADE AVAILABLE TO OTHERS WITHOUT PRIOR WRITTEN CONSENT OF CANBAR INC.

NOTES:
- SEE DRAWING CBF-0228A FOR SECTION CC TO SECTION GG

RECEIVED
JUN 15 1992
R. C. & P. LTD.

NO.	DATE	REVISION	BY
CANBAR INC. - WATERLOO ONTARIO CANADA -			
DIVISION PLASTICS AND COMPOSITES		SCALE SHOWN	DATE MAY 4/92
TITLE (4) 98'-5" DIA. FRP DOME COVER DETAILS		DRN BY SPB	CH'D BY
CUSTOMER THE CITY OF WINNIPEG - WEST END W.P.C.C.		DRWG NO CBF-0228	