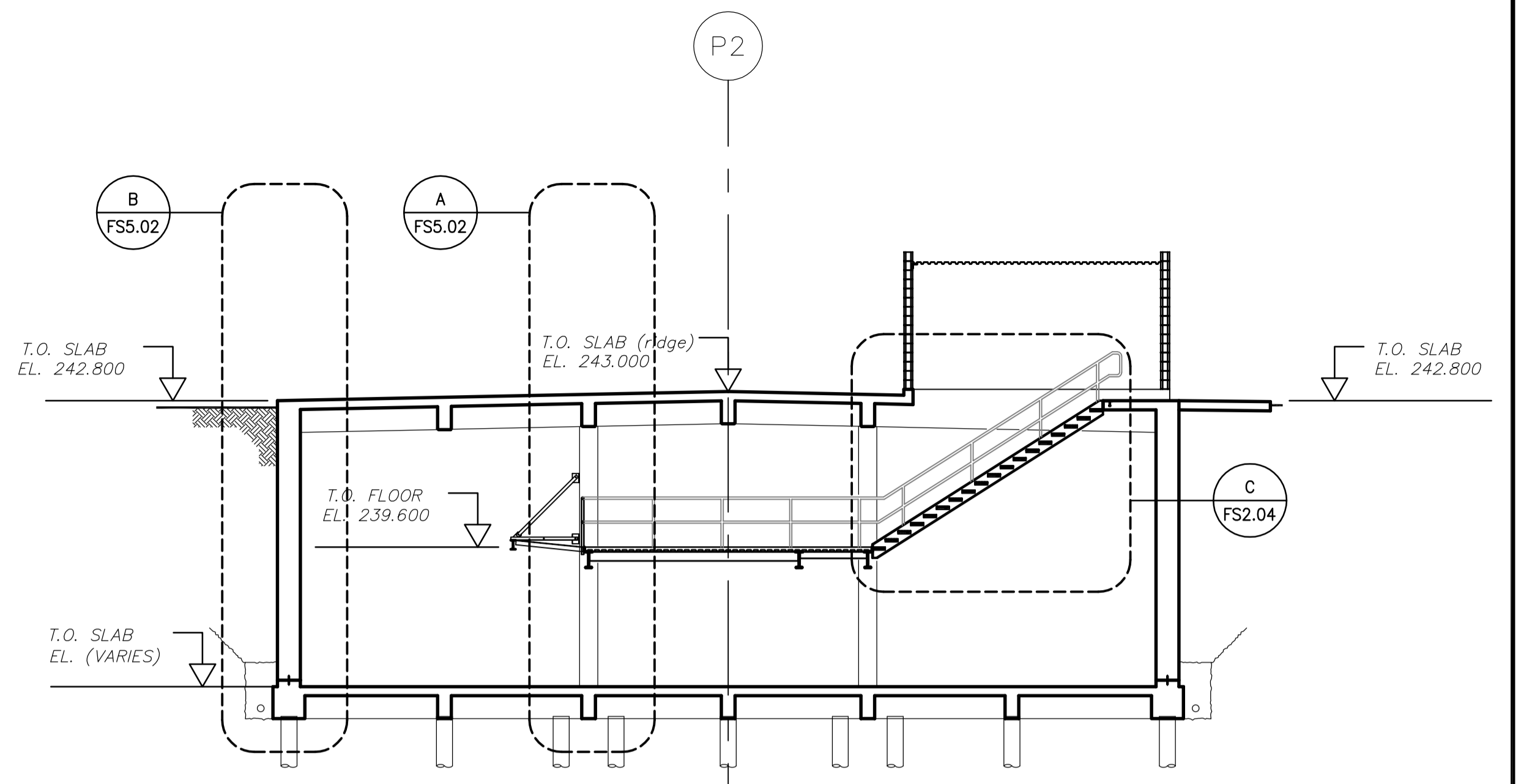
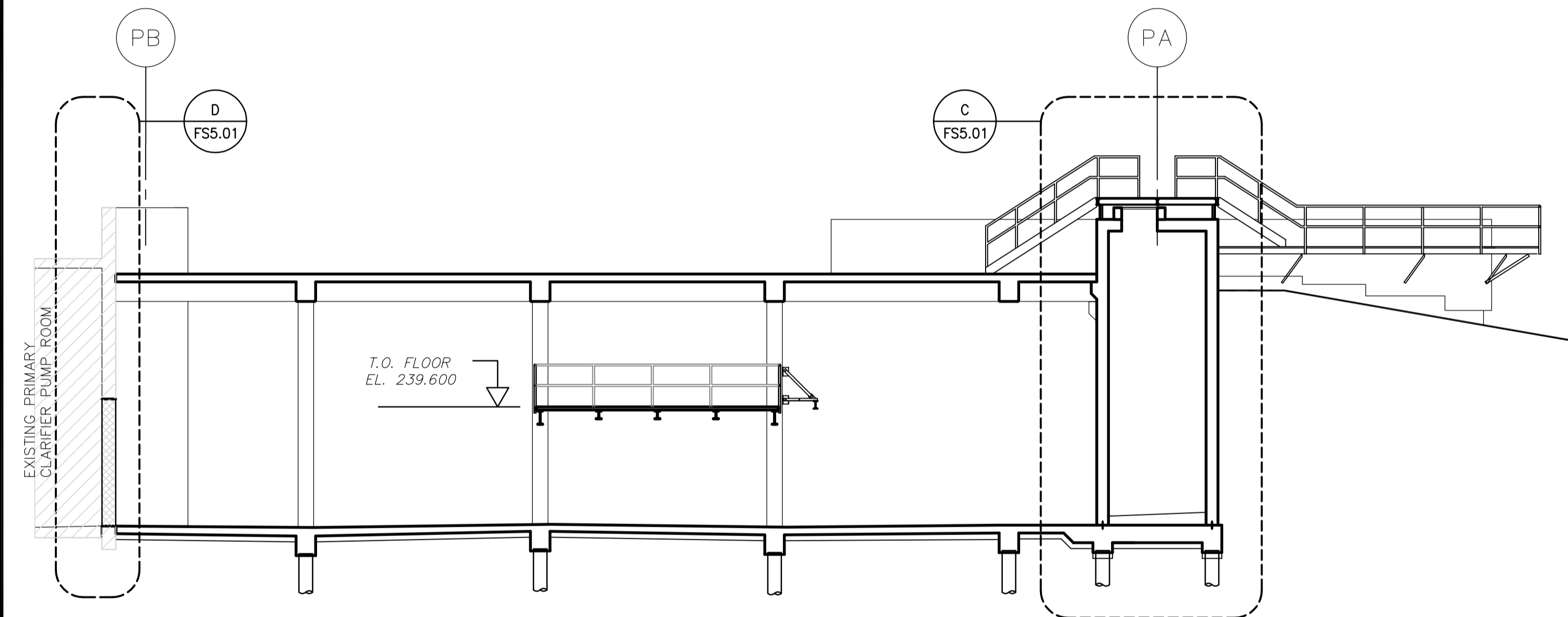


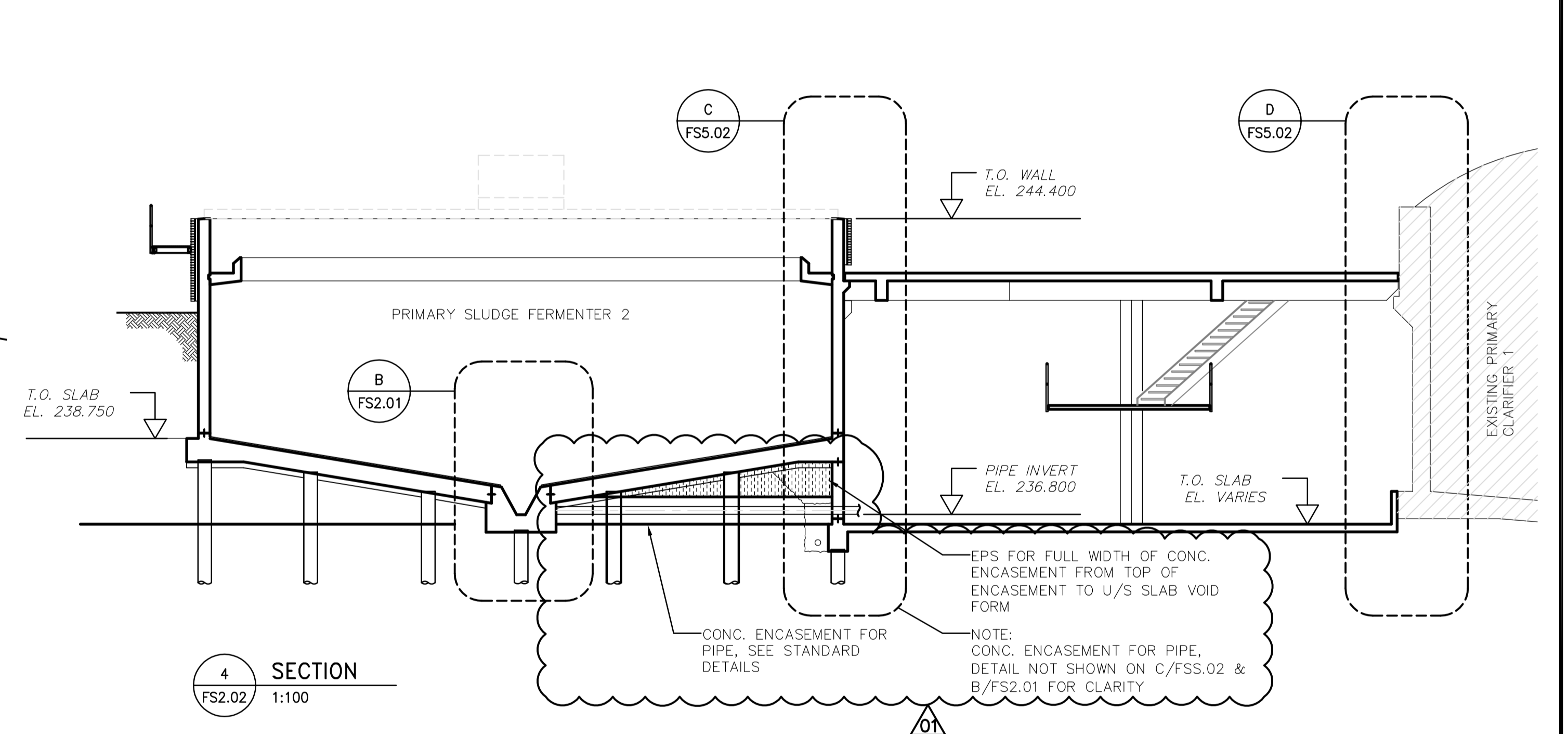
1 SECTION  
FS2.02 1:100



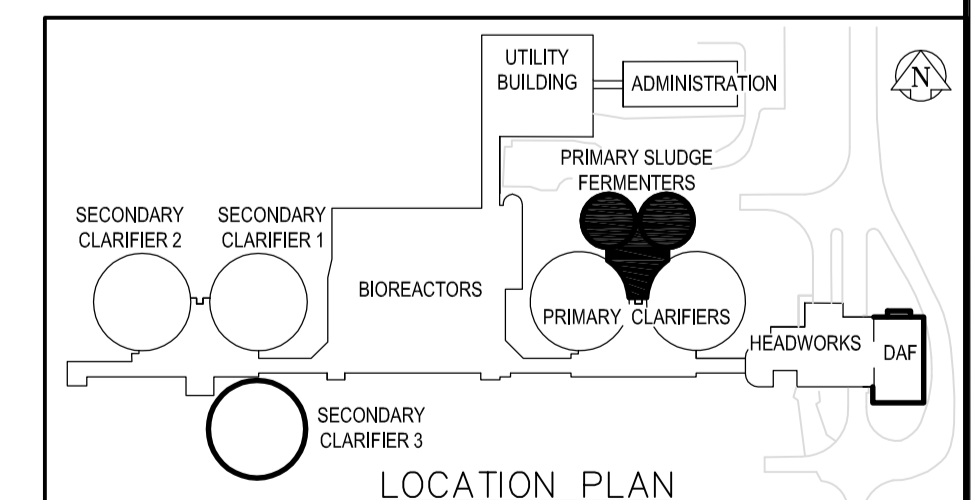
2 SECTION  
FS2.02 1:100



3 SECTION  
FS2.02 1:100



4 SECTION  
FS2.02 1:100



B.M. ELEV.		 A Tyco International Ltd. Company		ENGINEER'S SEAL	
				ORIGINAL SIGNED BY	
		DESIGNED BY: CJG	CHECKED BY: CJG	C.J. GENTILE	
		DRAWN BY: NV	APPROVED BY: JEJ	2006/04/25	
		HOR. SCALE: AS NOTED		CONSULTANT DRAWING NO. FS3.01	
		VERTICAL SCALE:		RELEASED FOR CONSTRUCTION BY: J. VEILLEUX	
01 21-2006 ADDENDUM 6 06/06/30 CMF		DATE 2006/03/10		DATE 2006/04/26	
00 ISSUED FOR TENDER 06/04/26 NV					
NO. REVISIONS		DATE BY		DATE	

 THE CITY OF WINNIPEG WATER AND WASTE DEPARTMENT ENGINEERING DIVISION		CITY FILE NUMBER
WEWPCC BIOLOGICAL NUTRIENT REMOVAL UPGRADE CONTRACT No. 3		SHEET OF
STRUCTURAL AREA F - PRIMARY SLUDGE FERMENTERS SECTIONS AND DETAILS		CITY DRAWING NUMBER