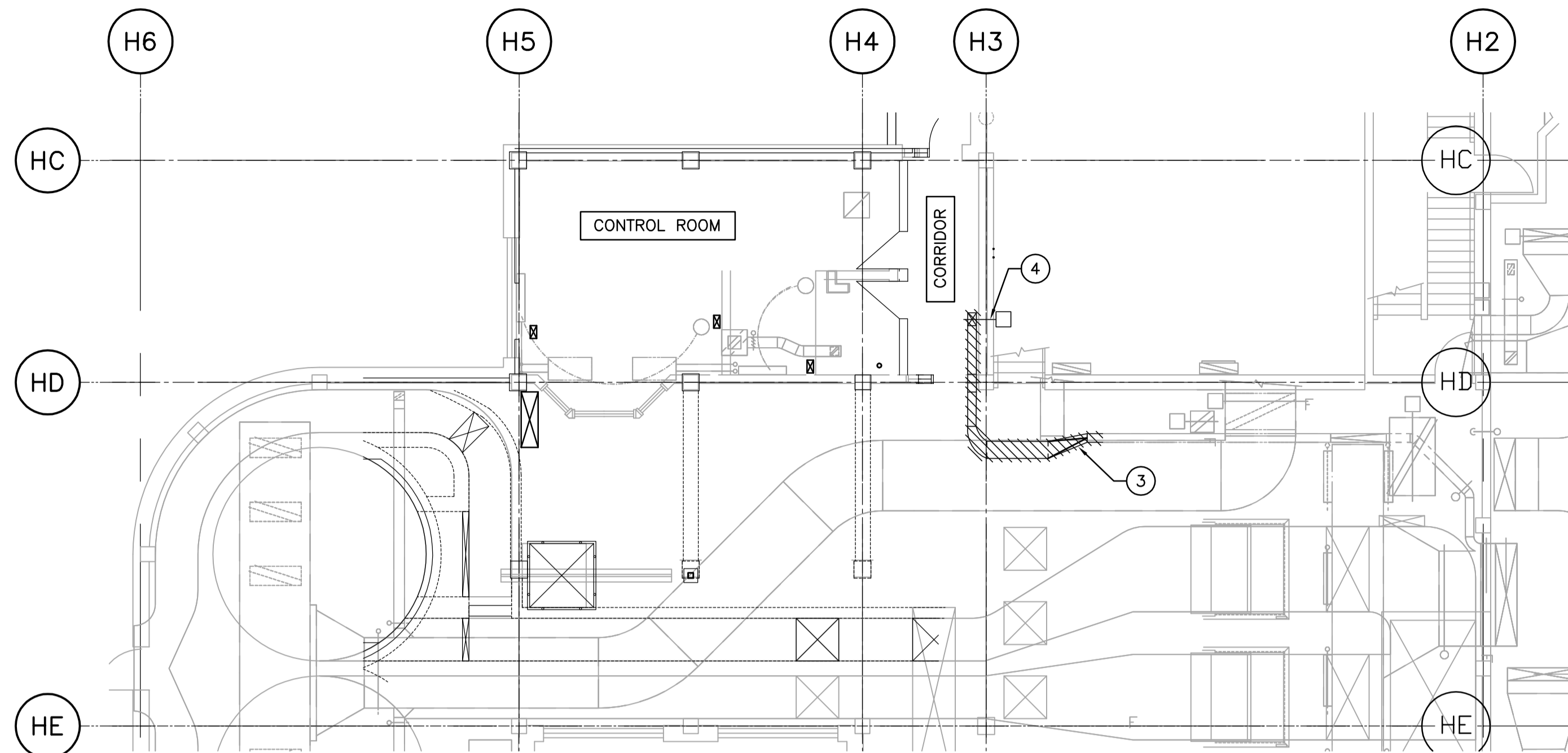
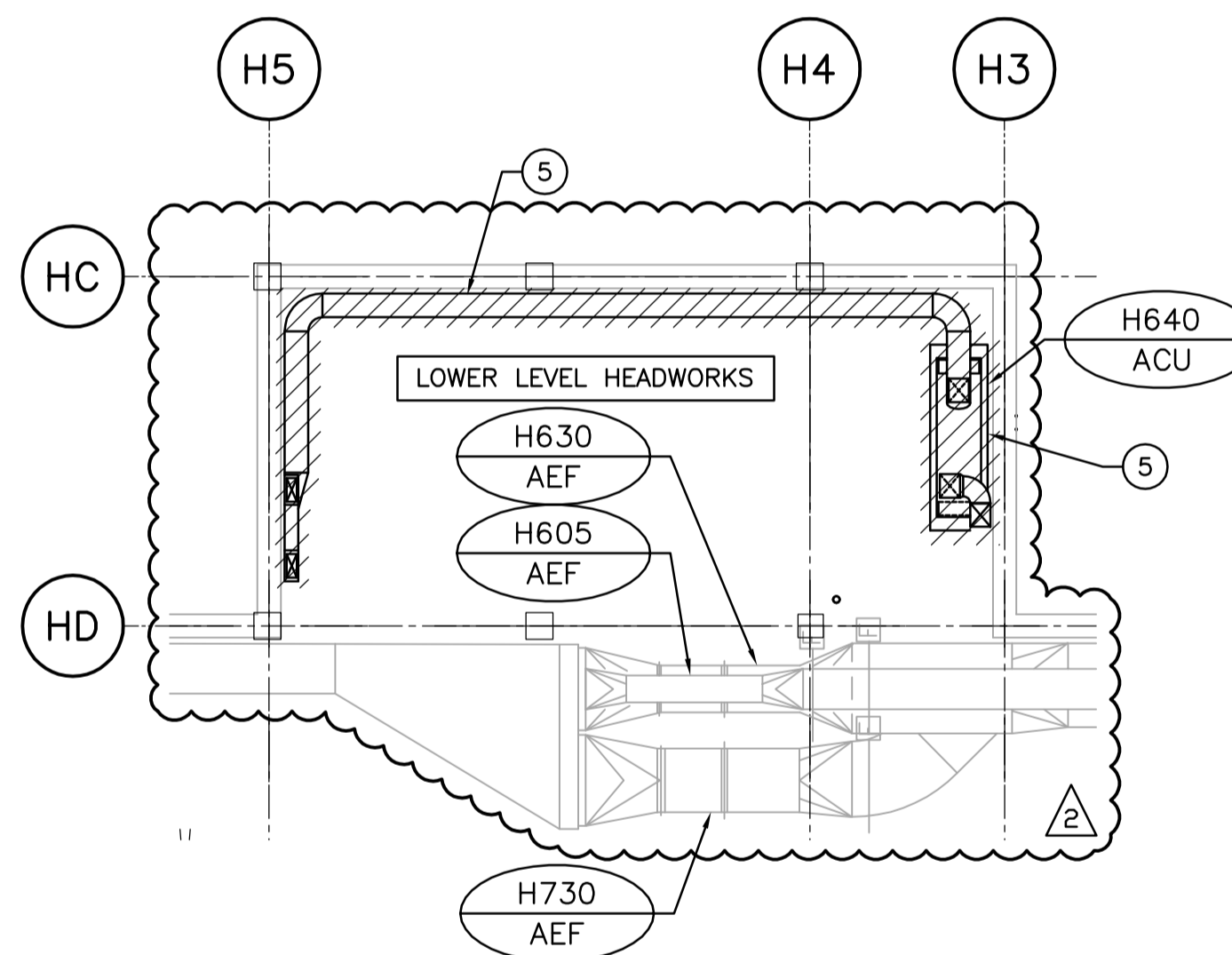


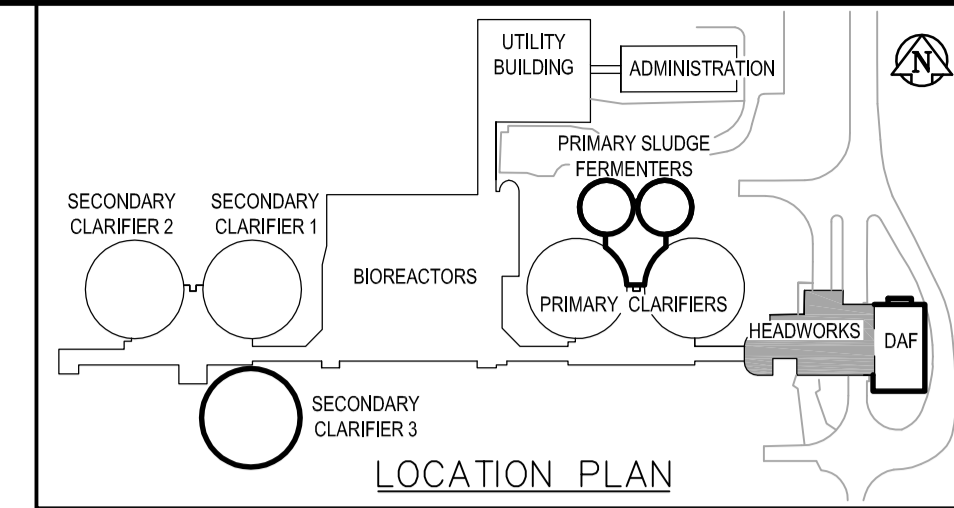
VENTILATION DEMOLITION PLAN - SLUDGE TRUCK BAY
SCALE: 1:100



VENTILATION DEMOLITION PLAN - MAIN FLOOR
SCALE: 1:100



VENTILATION DEMOLITION PLAN - LOWER LEVEL
SCALE: 1:100



DRAWING NOTES

- 1 REMOVE EXISTING DUCTWORK AND INTAKE LOUVER ON WALL.
- 2 REMOVE EXISTING DUCTWORK, EXHAUST FAN, FLEXIBLE EXTRACTION ARM, HOOD AND ALL ASSOCIATED CONTROL WIRING AND SWITCHES.
- 3 REMOVE EXISTING DUCTWORK IN CORRIDOR UP TO THIS POINT.
- 4 REMOVE FIRE DAMPER IN FLOOR.
- 5 REMOVE ALL EQUIPMENT, DUCTWORK, ACCESSORIES AND CONTROLS ASSOCIATED WITH H640-ACU. UNIT H640-ACU, ASSOCIATED CONTROLS AND METAL STAND SHALL BE RETURNED TO OWNER.

GENERAL NOTES

1. COORDINATE WITH OTHER TRADES SO AS TO PREVENT CONFLICTS.



B.M. ELEV.				ENGINEER'S SEAL	
				ORIGINAL SIGNED BY	
DESIGNED BY	DC	CHECKED BY	PVL	A. BURACHYNSKY	
DRAWN BY	DC	APPROVED BY	JEH		
HOR. SCALE: AS NOTED		RELEASED FOR CONSTRUCTION BY:		2006/04/26	
VERTICAL SCALE:		J. VEILLEUX			
NO. REVISIONS	DATE	BY	DATE	CONSULTANT DRAWING NO.	HM0.01
	2006/01/02		2006/04/26		

THE CITY OF WINNIPEG
 WATER AND WASTE DEPARTMENT
 ENGINEERING DIVISION

WEWPC
BIOLOGICAL NUTRIENT REMOVAL UPGRADE
CONTRACT 3

MECHANICAL
 AREA H - HEADWORKS
 EXISTING MAIN FLOOR VENTILATION DEMOLITION PLAN

CITY FILE NUMBER
 SHEET OF
 CITY DRAWING NUMBER