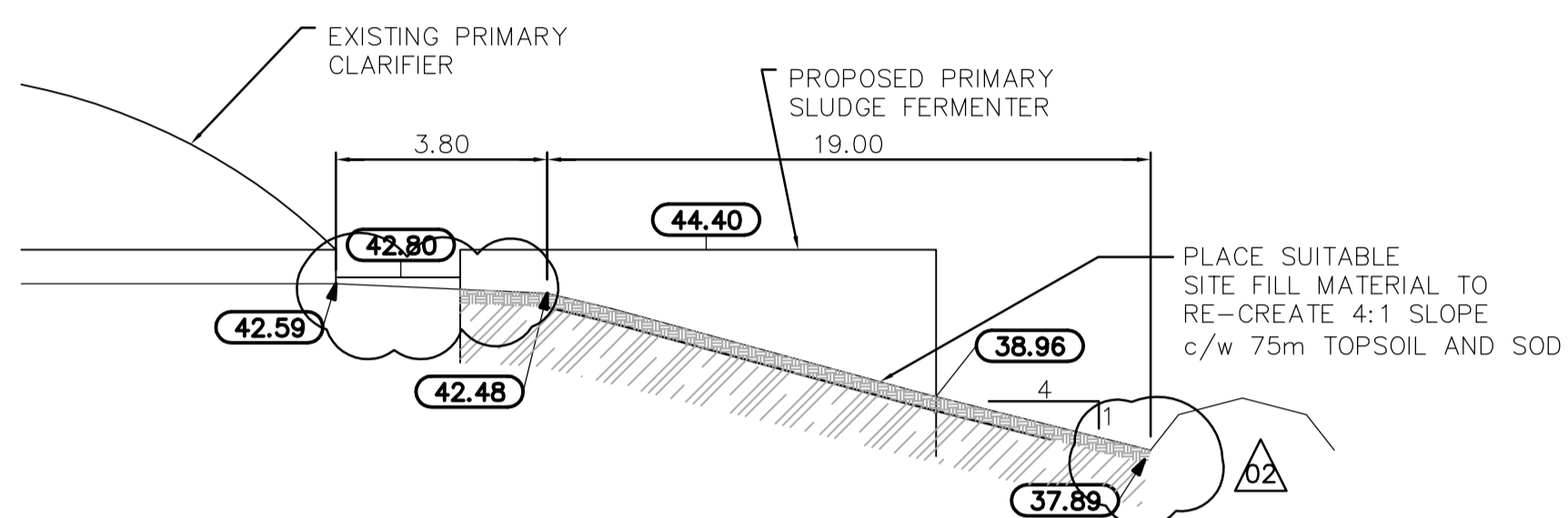


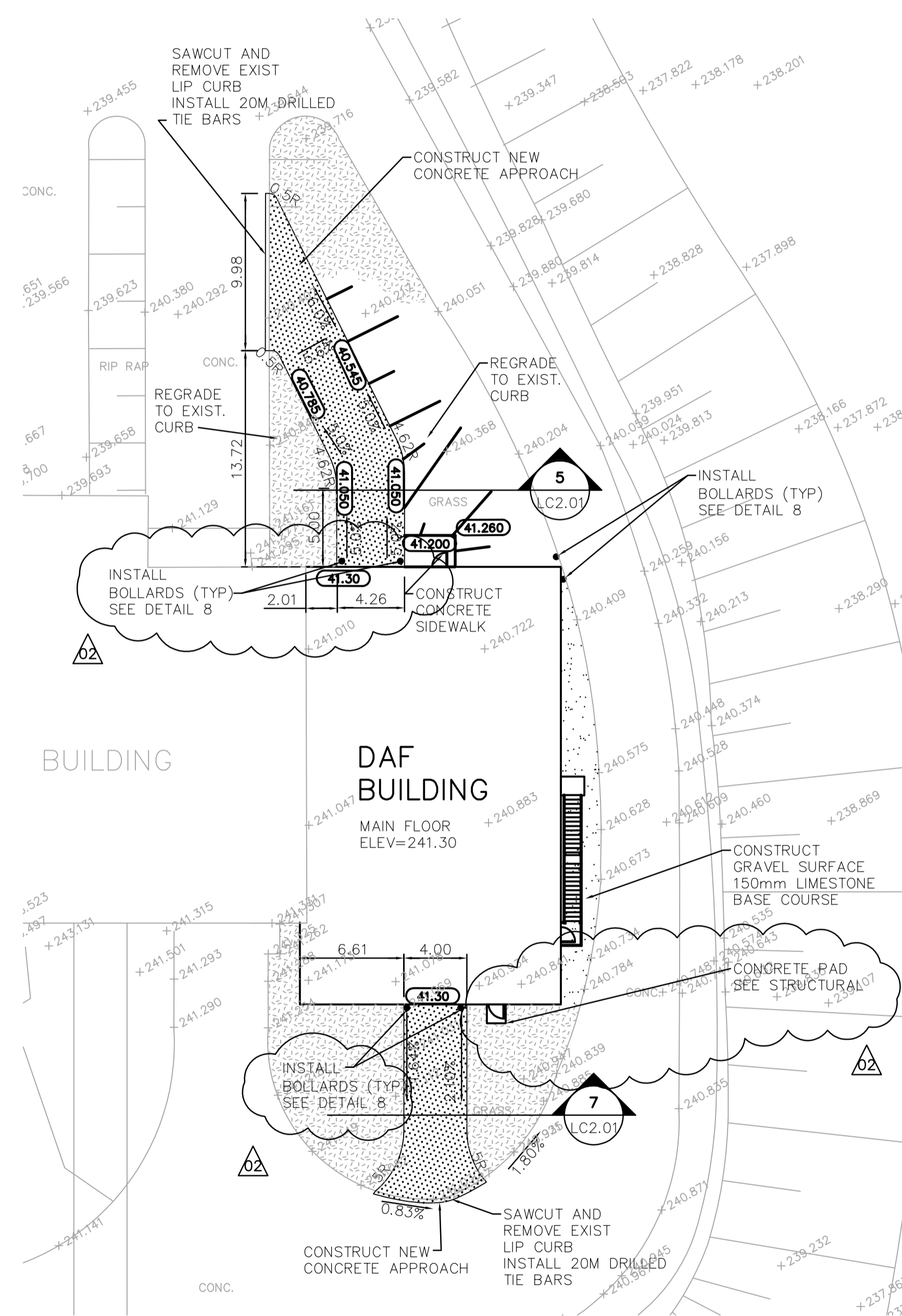
1 SECTION 1  
LC1.01 SCALE 1:250

4 ROADWAY SECTION  
LC2.01 SCALE N.T.S.

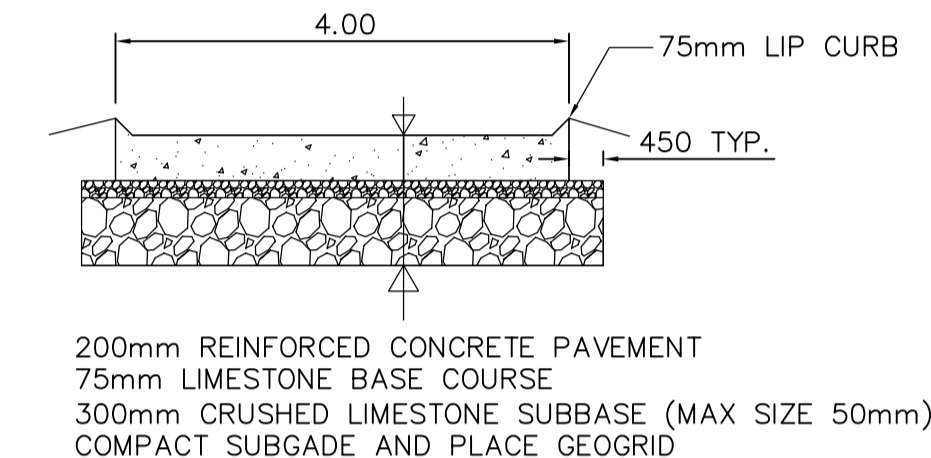
5 ROADWAY SECTION  
LC2.01 SCALE N.T.S.



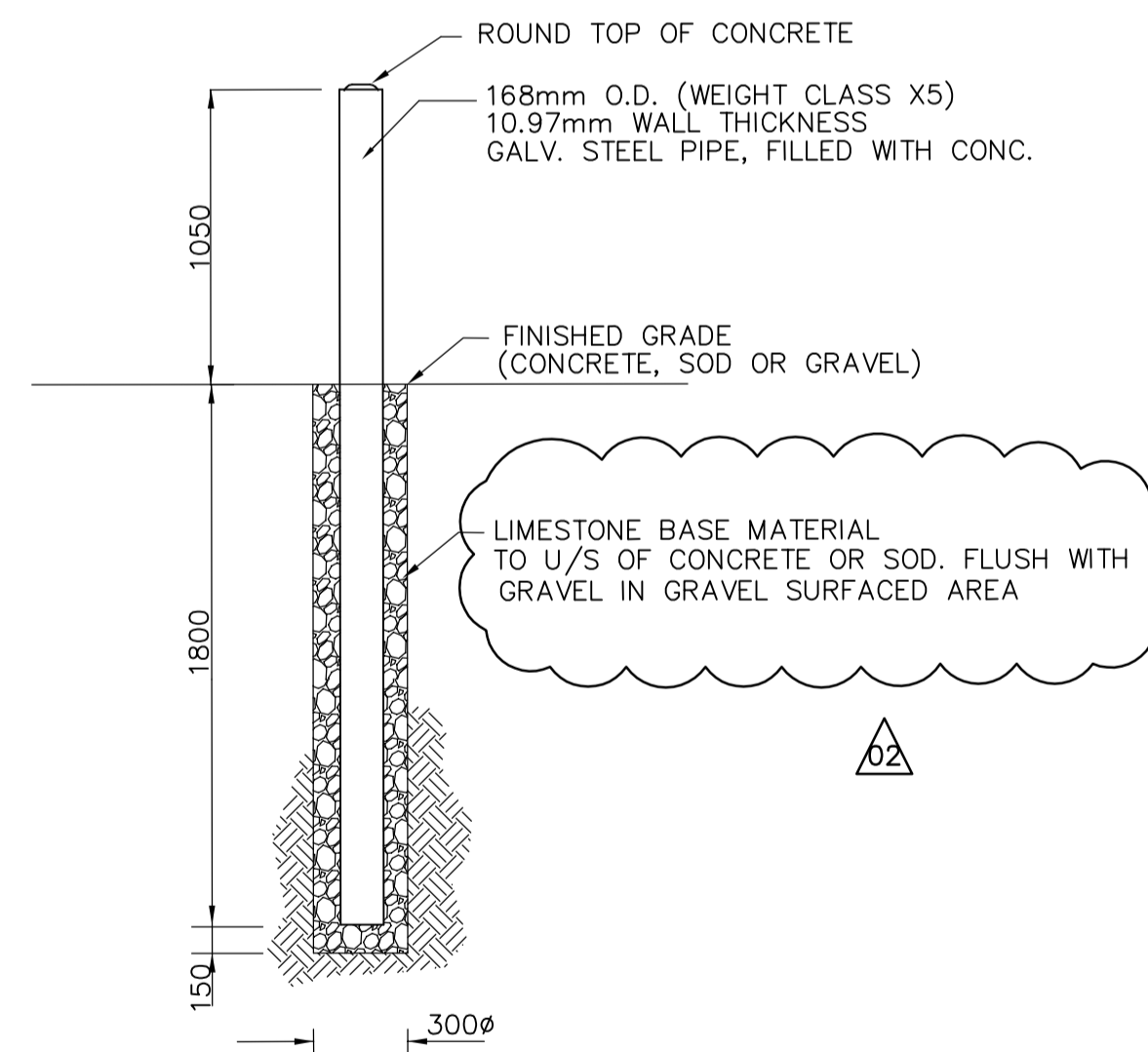
2 SECTION 2  
LC1.01 SCALE 1:250



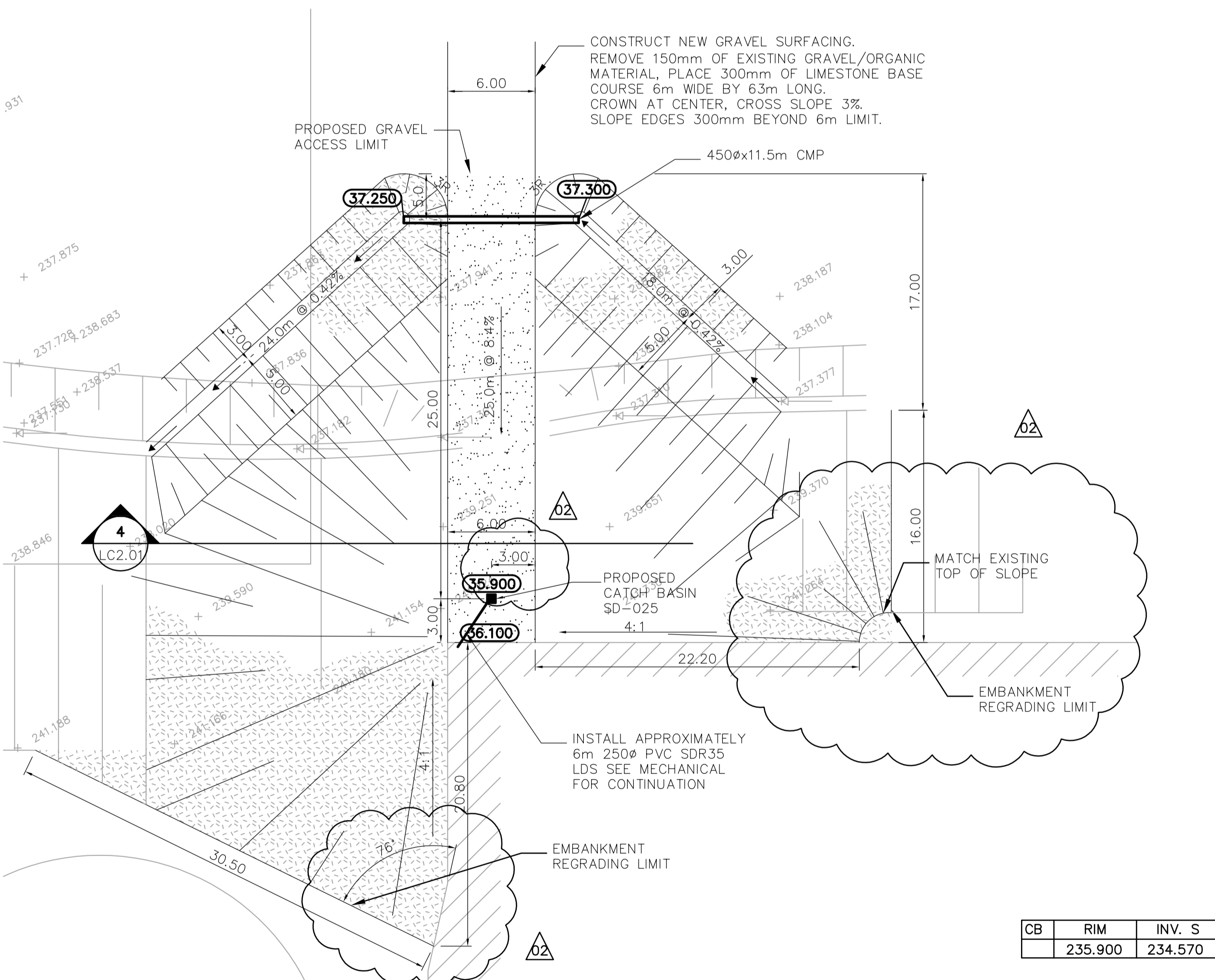
6 DAF BUILDING ACCESS APPROACHES  
LC1.01 SCALE 1:250



7 ROADWAY SECTION  
LC2.01 SCALE N.T.S.



8 STEEL BOLLARD DETAIL  
LC2.01 SCALE N.T.S.



3 BIOREACTOR GRAVEL ACCESS  
LC1.01 SCALE 1:250

CB	RIM	INV. S
	235.900	234.570

150 mm W.M.	WATERMAIN	150 mm W.M.	HYDRO	HYDRO	LIGHT STANDARD	B.M. ELEV.
⊕	HYDRANT	⊕	M.T.S.	⊕	ANCHOR	
⊙	VALVE	⊙	CONCRETE	⊙	POLE	
⊖	LAND DRAINAGE SEWER	⊖	ASPHALT	⊖	CONTOURS	
⊗	WASTEWATER SEWER	⊗	PROPERTY LINE	⊗	RAIL X-ING SIGNAL	
⊘	MANHOLE	⊘	SURVEY BAR	⊘	RAILWAY TRACK	
⊙	CATCH BASIN	⊙	ELEVATION	⊙	DITCH	
⊖	CURB INLET	⊖	TREE	⊖	GRAVEL SURFACE	
⊕	JUNCTIONS	⊕	ANODE	⊕	TEST HOLE	
⊖	CULVERT	⊖	CONCRETE SIDEWALK	⊖	PUMPING WELL	
⊙	GAS	⊙	FENCE	⊙	MTS PEDESTAL	
---	EXISTING	---	LEGEND - PLAN	---	LEGEND - PLAN	---
---	PROPOSED	---	PROPOSED	---	PROPOSED	---

**APEGN**  
Certificate of Authorization  
Earth Tech Canada Inc.  
No. 730 Expiry: April 30, 2006

**EarthTech**  
A Tyco International Ltd. Company

ENGINEER'S SEAL  
ORIGINAL SIGNED BY  
**K. W. RAE**  
2006/04/26

**THE CITY OF WINNIPEG**  
WATER AND WASTE DEPARTMENT  
ENGINEERING DIVISION

**WEWPC**  
BIOLOGICAL NUTRIENT REMOVAL UPGRADE  
CONTRACT No. 3

DESIGNED BY: KWR  
CHECKED BY: KWR  
DRAWN BY: PAAP  
APPROVED BY: JEH  
HOR. SCALE: AS NOTED  
VERTICAL SCALE:  
RELEASED FOR CONSTRUCTION BY:  
J. VEILLEUX

CONSULTANT DRAWING NO.  
LC2.01

CITY FILE NUMBER  
SHEET OF  
CITY DRAWING NUMBER  
CIVIL  
AREA L - GENERAL AND SITE WORKS  
SECTIONS AND DETAILS