

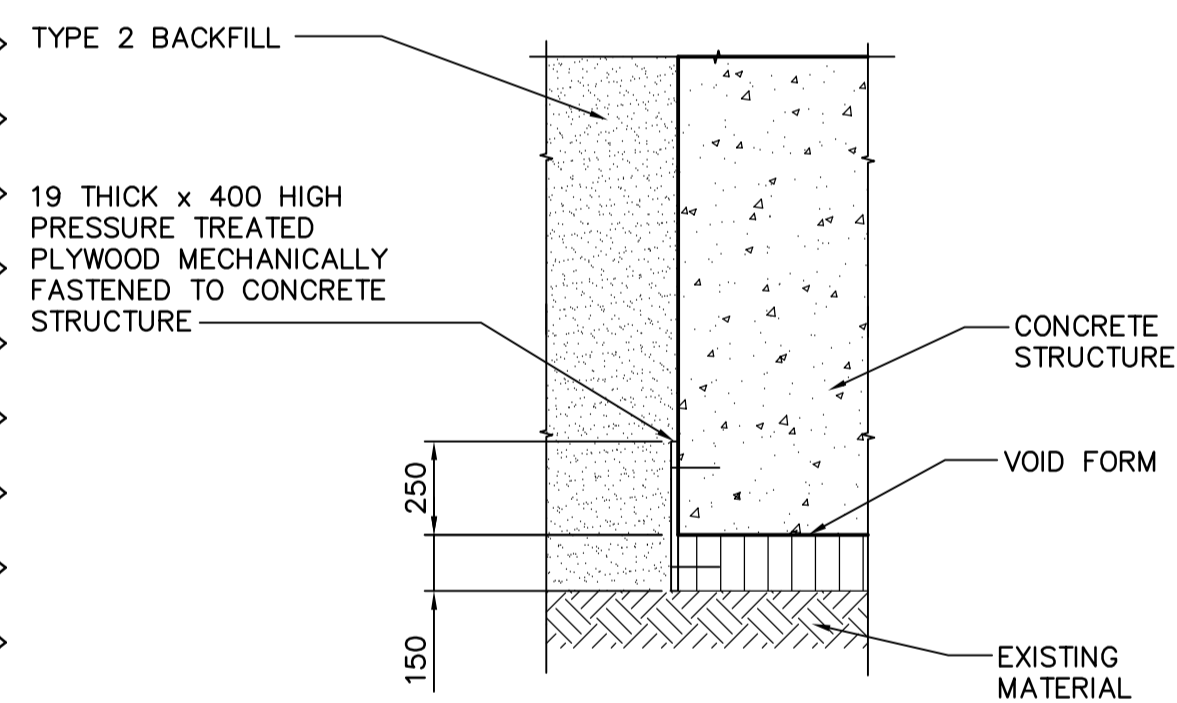
TYPICAL REINFORCING AROUND OPENINGS IN CONCRETE SLAB OR WALL

A
STD
N.T.S.

1. NUMBER OF REINFORCING BARS TO BE CUT AT OPENING TO BE KEPT AT A MINIMUM. DEFLECT AS MANY BARS AS POSSIBLE AROUND OPENING.
2. REINFORCING BARS TO BE KEPT MINIMUM 50 CLEAR OF OPENING.
3. CIRCULAR OPENINGS TO BE TREATED IN SAME MANNER AS RECTANGULAR UNLESS OTHERWISE DETAILED.

SPLICING OF HORIZONTAL STEEL

B
STD
N.T.S.

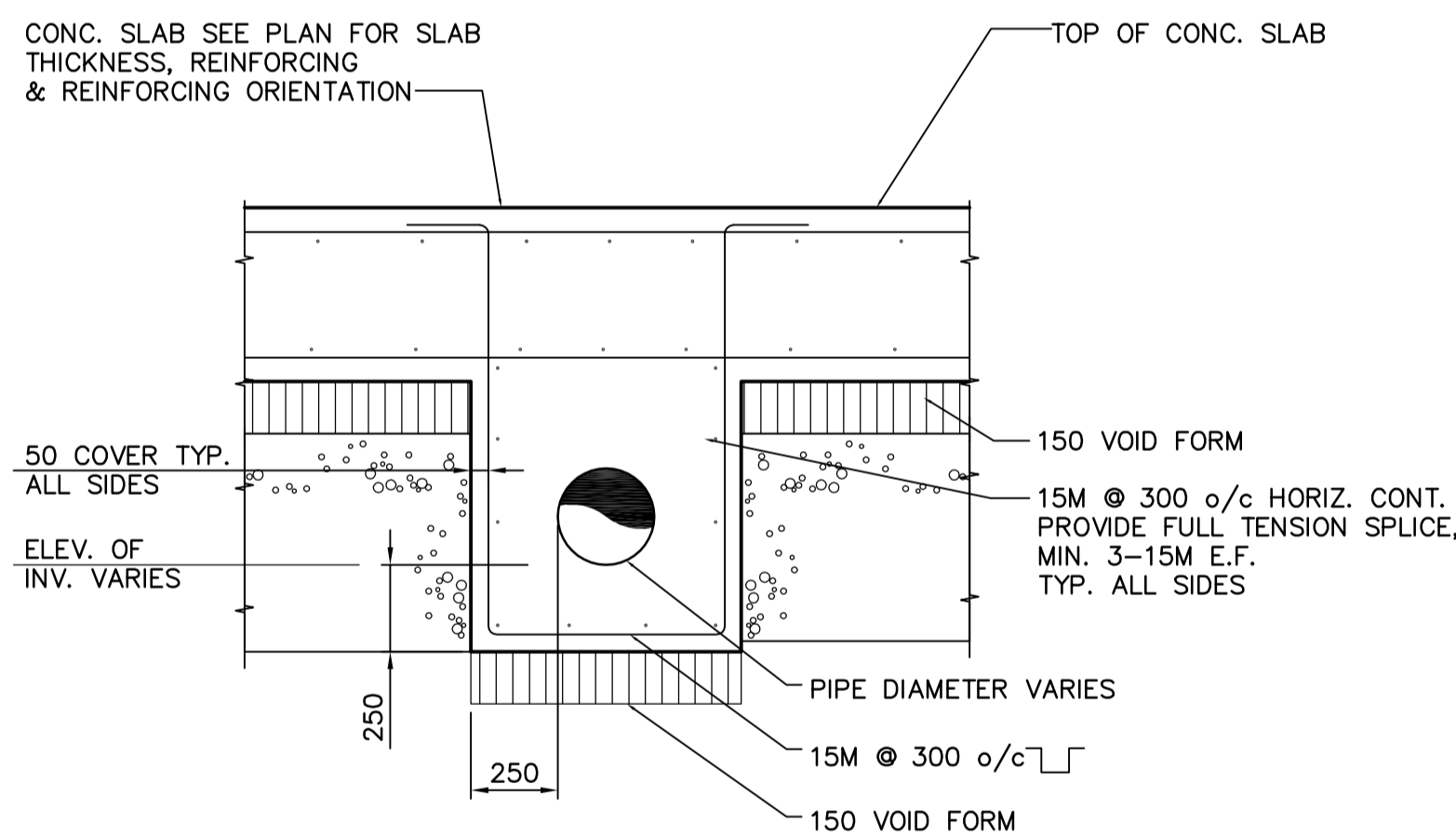


C
STD
TYPICAL VOID FORM TERMINATION DETAIL
1:20

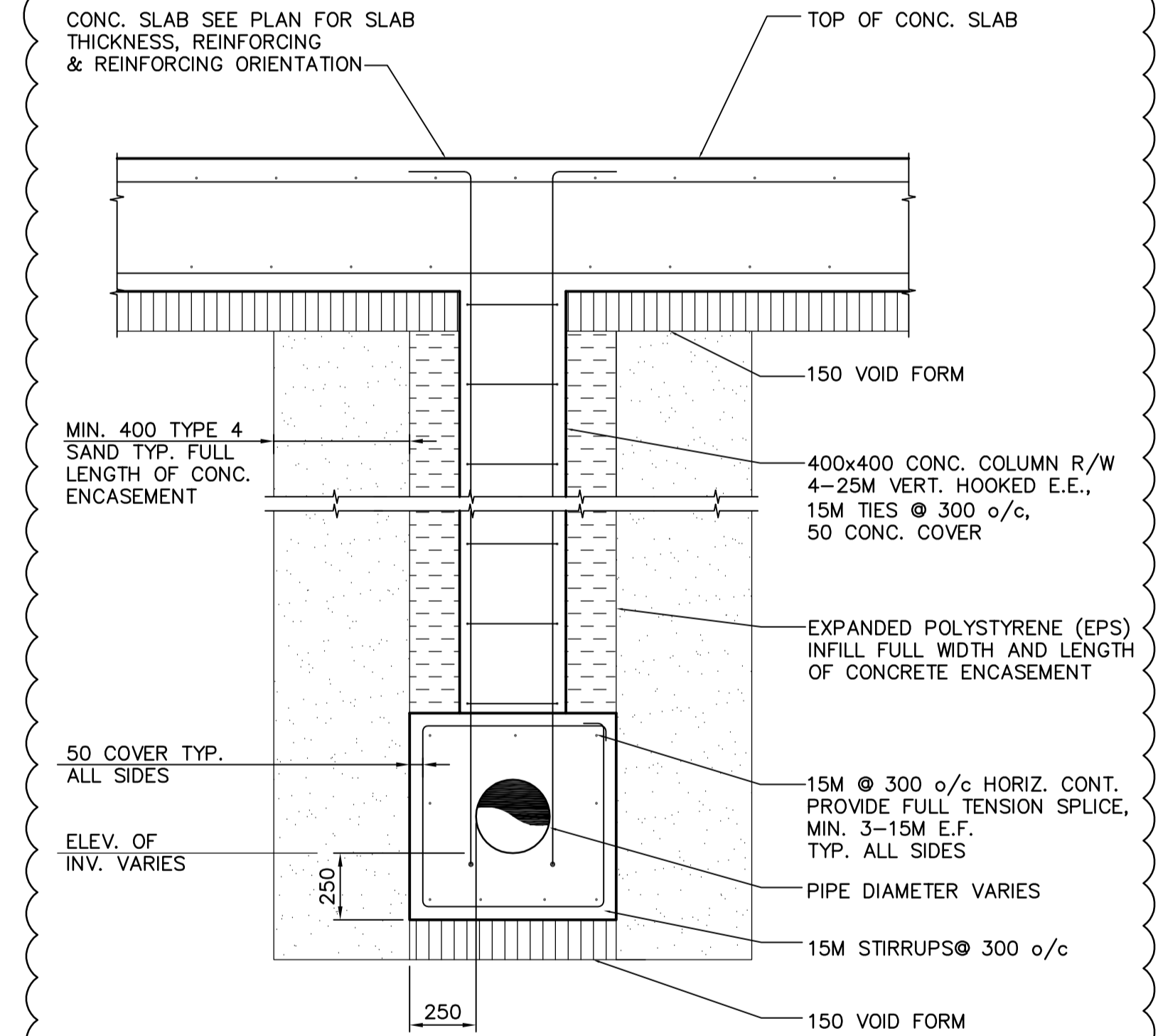
NOTES:

1. PROVIDE AT ALL SIDES OF GRADE BEAMS & WALLS BELOW GRADE WHERE TREATED PAPER FACED VOID FORM IS USED.
2. PROVIDE AT PERIMETER OF SLABS BELOW GRADE WHERE PRESSURE TREATED PAPER FACED VOID FORM IS USED.

02



02



CONC. ENCASEMENT FOR PIPE GREATER THAN 300Ø
1:20

- NOTE:
1. CARE TO BE TAKEN WHEN BACKFILL AROUND CONC. ENCASEMENT AND EPS INFILL TO ENSURE PROPER ALIGNMENT OF EPS INFILL AND O.F. OF CONC. ENCASEMENT

02

APEGM
Certificate of Authorization
Earth Tech Canada Inc.
No. 730 Expiry: April 30, 2006

B.M. ELEV.					
DESIGNED BY	ARA	CHECKED BY			
DRAWN BY	NDH	APPROVED BY	JEH		
HOR. SCALE:		RELEASED FOR CONSTRUCTION BY:	J. VEILLEUX		
VERTICAL SCALE:		DATE	2006/04/26	DATE	2006/04/26
NO. REVISIONS		DATE		DATE	



ENGINEER'S SEAL

ORIGINAL SIGNED BY
M. KLASSEN

2006/04/26

CONSULTANT DRAWING NO.
LS1.03



WEWPCC
BIOLOGICAL NUTRIENT REMOVAL UPGRADE
CONTRACT 3

STRUCTURAL
AREA L - GENERAL AND SITEWORKS
STANDARD DETAILS

CITY FILE NUMBER

SHEET OF

CITY DRAWING NUMBER