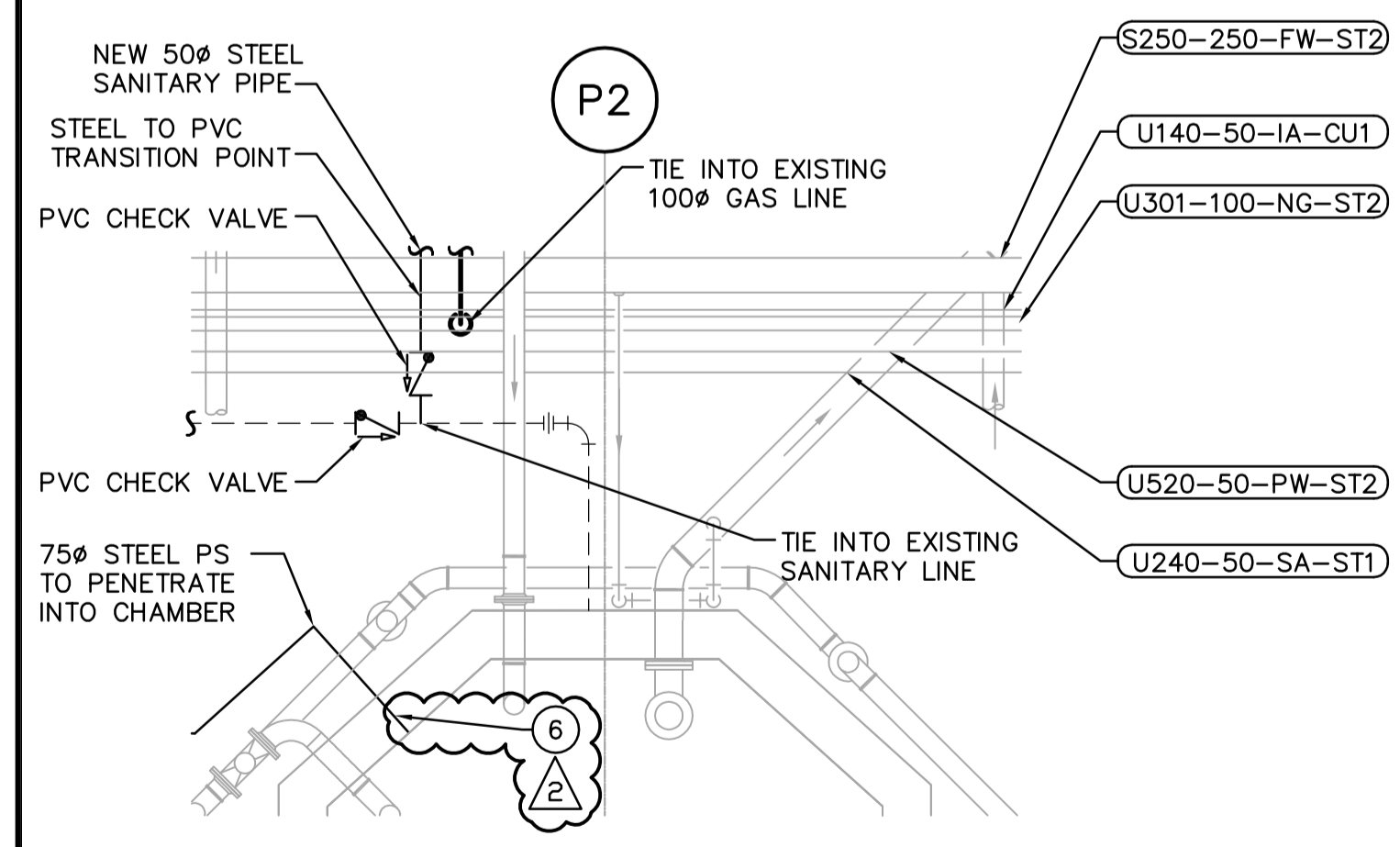
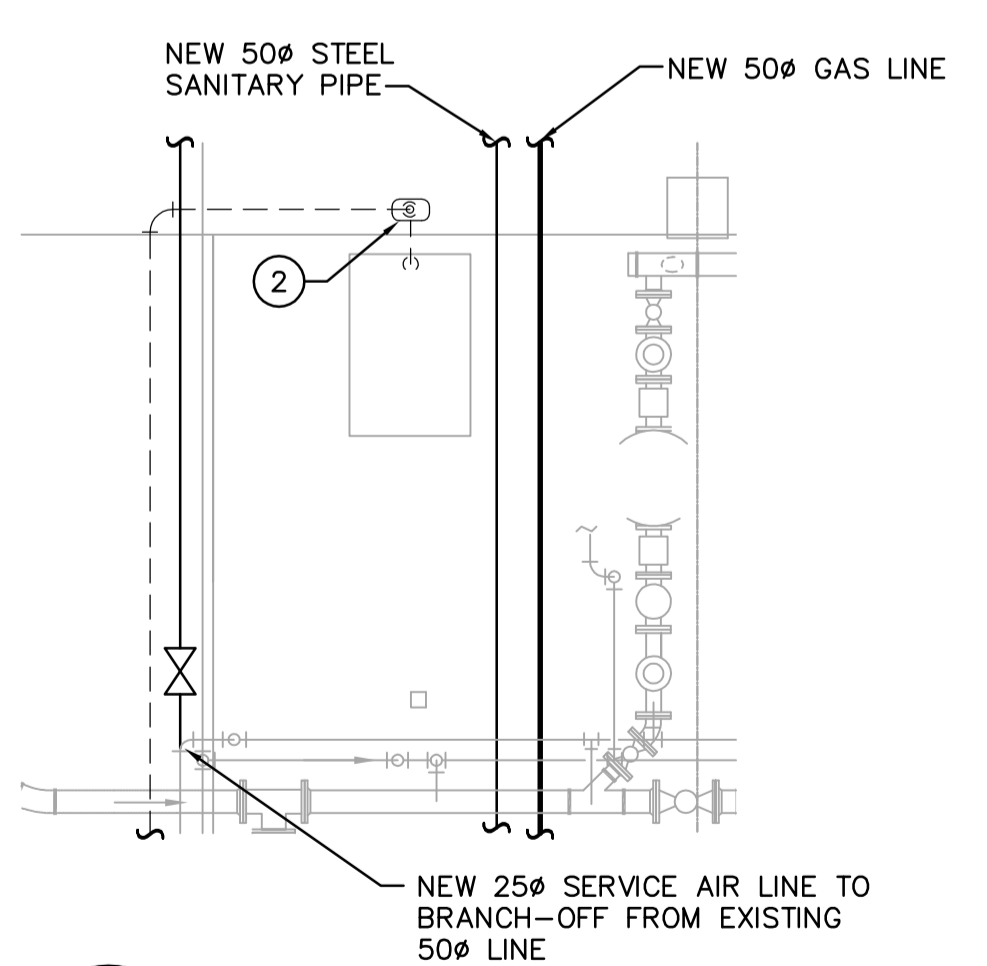


**MAIN FLOOR - PLUMBING PLAN**  
SCALE: 1:100



**1 DETAIL - TIE IN**  
PM1.01 SCALE 1:50



**2 DETAIL - TIE IN**  
PM1.01 SCALE 1:50

**DRAWING NOTES**

- 1 NEW 50ø PUMPED SANITARY PIPE FROM FERMENTER GALLERY SUMP PUMPS (EL. 239.000).
- 2 EXISTING SUMP PUMP.
- 3 EXISTING SANITARY LINE FROM EXISTING SUMP PIT.
- 4 FOR CONTINUATION SEE DRAWING FM1.01.
- 5 NEW 25ø SERVICE AIR LINE TO BRANCH OFF FROM EXISTING 50ø LINE.
- 6 NEW 75ø PUMPED SANITARY LINE TO ENTER CHAMBER ON THIS SIDE. CORE HOLE AT SAME ELEVATION AS PS LINE ON NORTH FACE OF WALL. USE LINK-SEAL METHOD SHOWN ON PROCESS MECHANICAL DETAIL STD-306.
- 7 RUN IN PIPE RACKS AS SAME HEIGHT AS EXISTING PROCESS PIPES.
- 8 FOR CONTINUATION SEE DRAWING SM1.02.

**GENERAL NOTES**

- 1. COORDINATE WITH OTHER TRADES SO AS TO PREVENT CONFLICTS.
- 2. CLEANOUTS SHALL BE INSTALLED IN THE PUMP SANITARY PIPE AS PER NATIONAL PLUMBING CODE.



<p>A Tyco International Ltd. Company</p>				<p>ENGINEER'S SEAL</p> <p>ORIGINAL SIGNED BY</p> <p>A. BURACHYNSKY</p> <p>2006/04/26</p>		<p>THE CITY OF WINNIPEG WATER AND WASTE DEPARTMENT ENGINEERING DIVISION</p>																											
<table border="1"> <tr> <th>NO.</th> <th>REVISIONS</th> <th>DATE</th> <th>BY</th> <th>DATE</th> <th>DATE</th> </tr> <tr> <td>02</td> <td>21-2006 ADDENDUM 6</td> <td>06/06/30</td> <td>DC</td> <td></td> <td></td> </tr> <tr> <td>01</td> <td>21-2006 ADDENDUM 3</td> <td>06/05/19</td> <td>DC</td> <td></td> <td></td> </tr> <tr> <td>00</td> <td>ISSUED FOR TENDER</td> <td>06/04/26</td> <td>DC</td> <td></td> <td></td> </tr> </table>				NO.	REVISIONS	DATE	BY	DATE	DATE	02	21-2006 ADDENDUM 6	06/06/30	DC			01	21-2006 ADDENDUM 3	06/05/19	DC			00	ISSUED FOR TENDER	06/04/26	DC			<p>DESIGNED BY: DC</p> <p>CHECKED BY: PVL</p> <p>DRAWN BY: DC</p> <p>APPROVED BY: JEH</p> <p>HOR. SCALE: AS NOTED</p> <p>RELEASED FOR CONSTRUCTION BY: J. VEILLEUX</p> <p>VERTICAL SCALE:</p> <p>DATE: 2006/01/02</p> <p>DATE: 2006/04/26</p>		<p>CONSULTANT DRAWING NO.</p> <p>PM1.01</p>		<p>CITY FILE NUMBER</p> <p>SHEET OF</p> <p>CITY DRAWING NUMBER</p>	
NO.	REVISIONS	DATE	BY	DATE	DATE																												
02	21-2006 ADDENDUM 6	06/06/30	DC																														
01	21-2006 ADDENDUM 3	06/05/19	DC																														
00	ISSUED FOR TENDER	06/04/26	DC																														
				<p>WEWPC BIOLOGICAL NUTRIENT REMOVAL UPGRADE CONTRACT 3</p>		<p>MECHANICAL AREA P - PRIMARY CLARIFIERS TUNNEL PLUMBING PLAN</p>																											