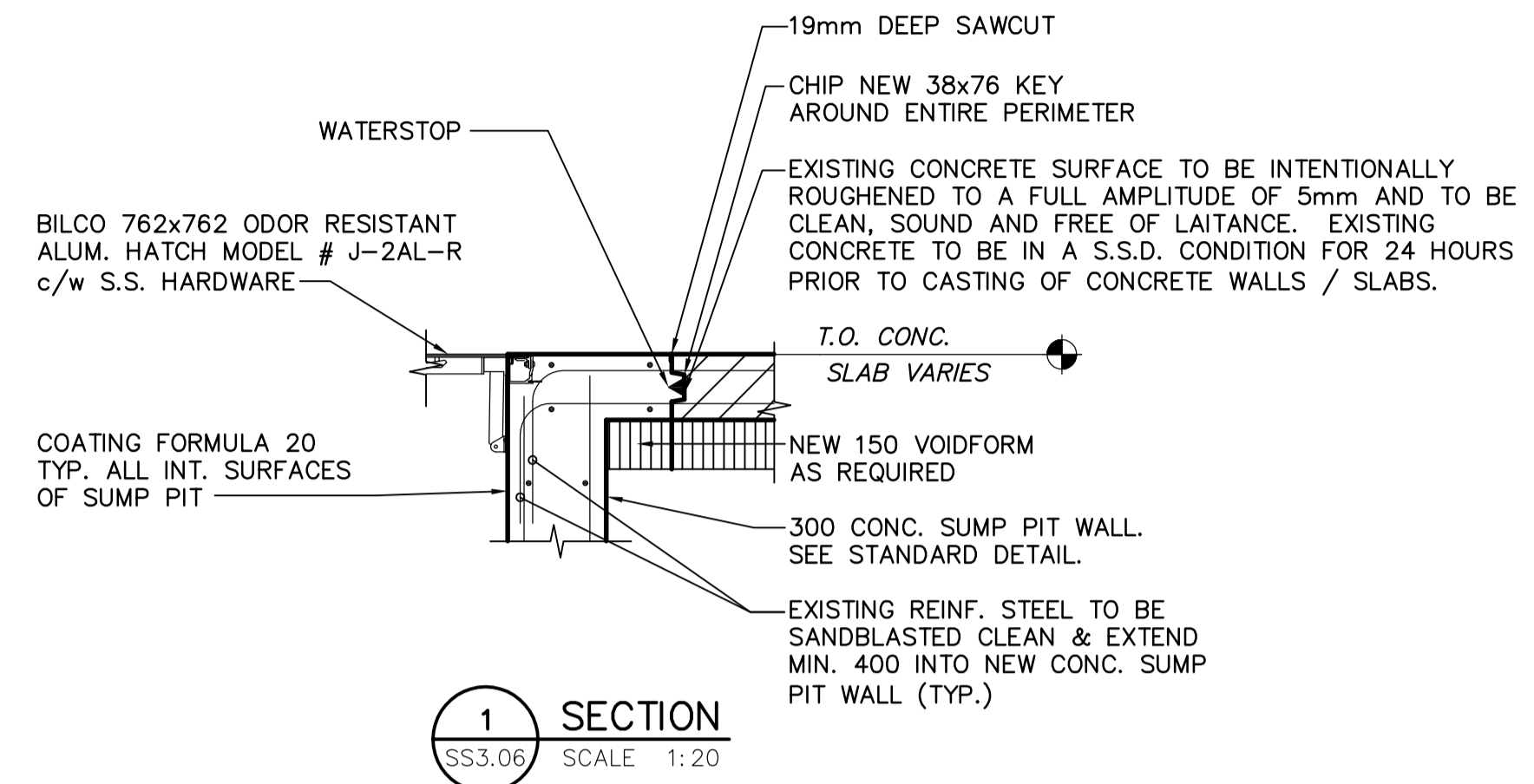
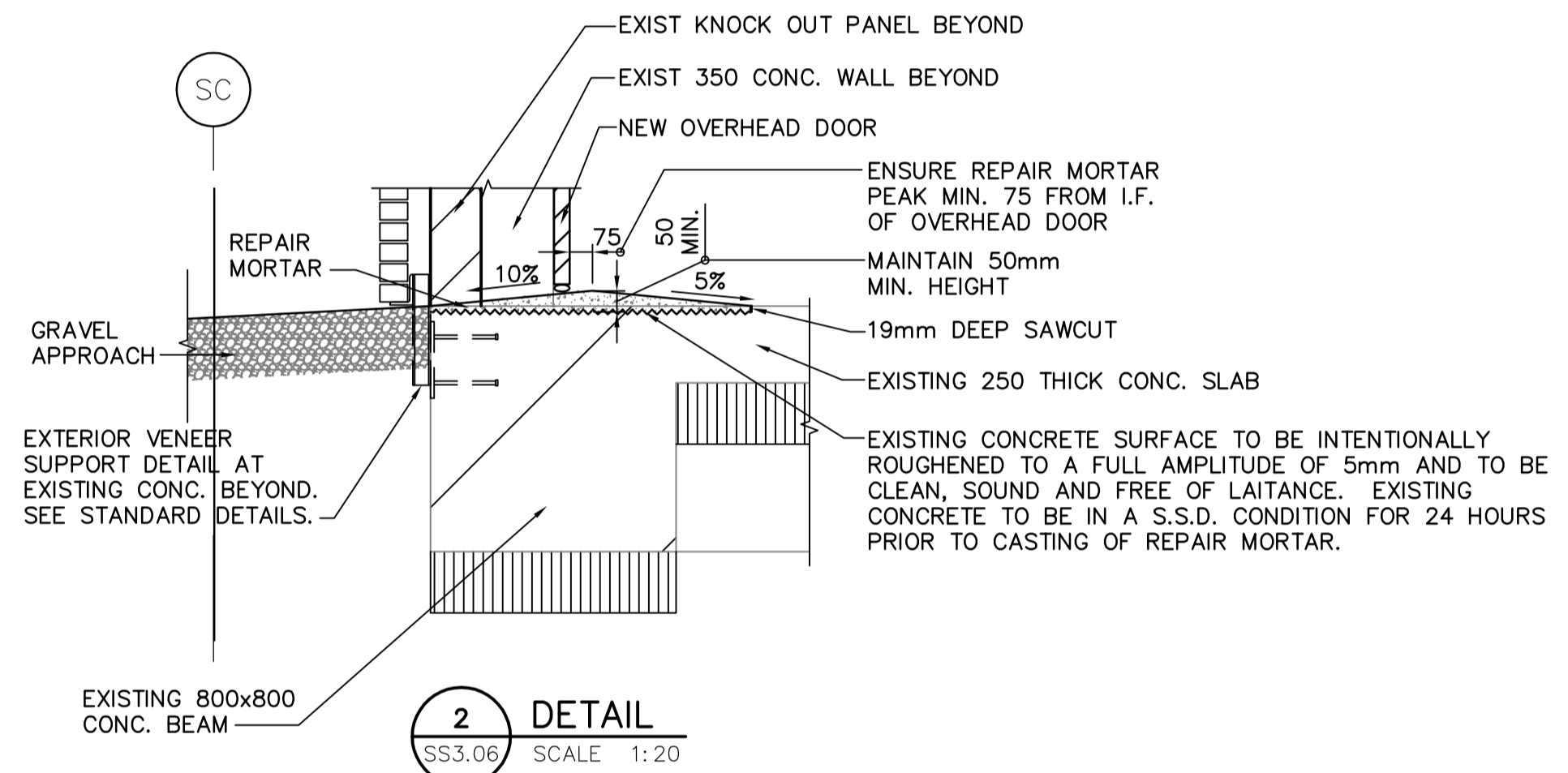


**6 SUMP PIT PLAN**  
SS2.02 SCALE 1:20

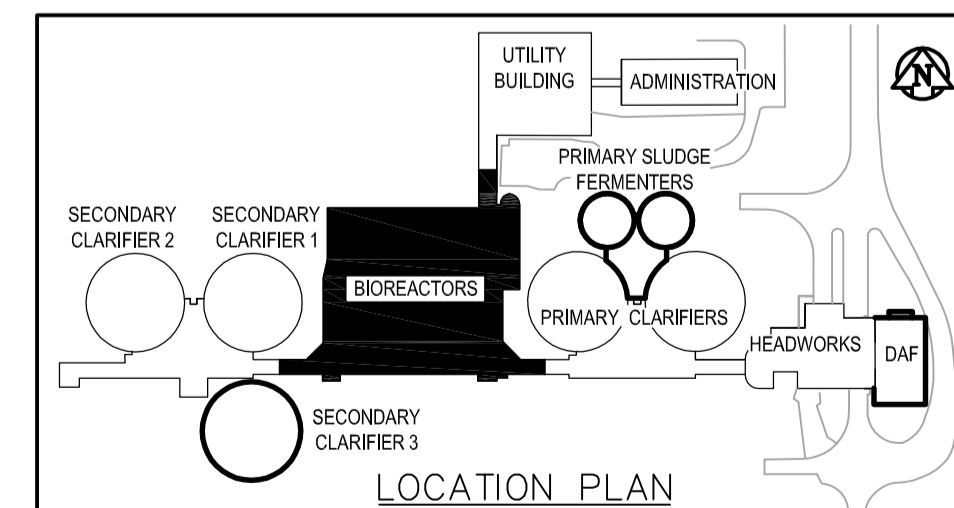
NOTE:  
1. SHORE EXIST. CONC. AS REQUIRED.



**1 SECTION**  
SS3.06 SCALE 1:20



**2 DETAIL**  
SS3.06 SCALE 1:20



**APEGM**  
Certificate of Authorization  
Earth Tech Canada Inc.  
No. 730 Expiry: April 30, 2006

<p><b>EarthTech</b> A Tyco International Ltd. Company</p>		ENGINEER'S SEAL  ORIGINAL SIGNED BY J. BETKE 2006/04/26	
DESIGNED BY	AA/JB	CHECKED BY	AA/JB
DRAWN BY	KK	APPROVED BY	JEH
02 21-2006 ADDENDUM 6	06/06/30	CMF	
01 21-2006 ADDENDUM 3	06/05/19	SRP	
00 ISSUED FOR TENDER	06/04/26	KK	
HOR. SCALE: AS NOTED		RELEASED FOR CONSTRUCTION BY:	
VERTICAL SCALE:		J. VEILLEUX	
NO. REVISIONS	DATE	BY	DATE
	2006/04/20		2006/04/26

<p><b>THE CITY OF WINNIPEG</b> WATER AND WASTE DEPARTMENT ENGINEERING DIVISION</p>		CITY FILE NUMBER
WEWPC BIOLOGICAL NUTRIENT REMOVAL UPGRADE CONTRACT 3		SHEET OF
STRUCTURAL AREA S - BIOREACTORS DETAILS & SECTIONS		CITY DRAWING NUMBER