

INSTRUMENT LOOP DIAGRAM

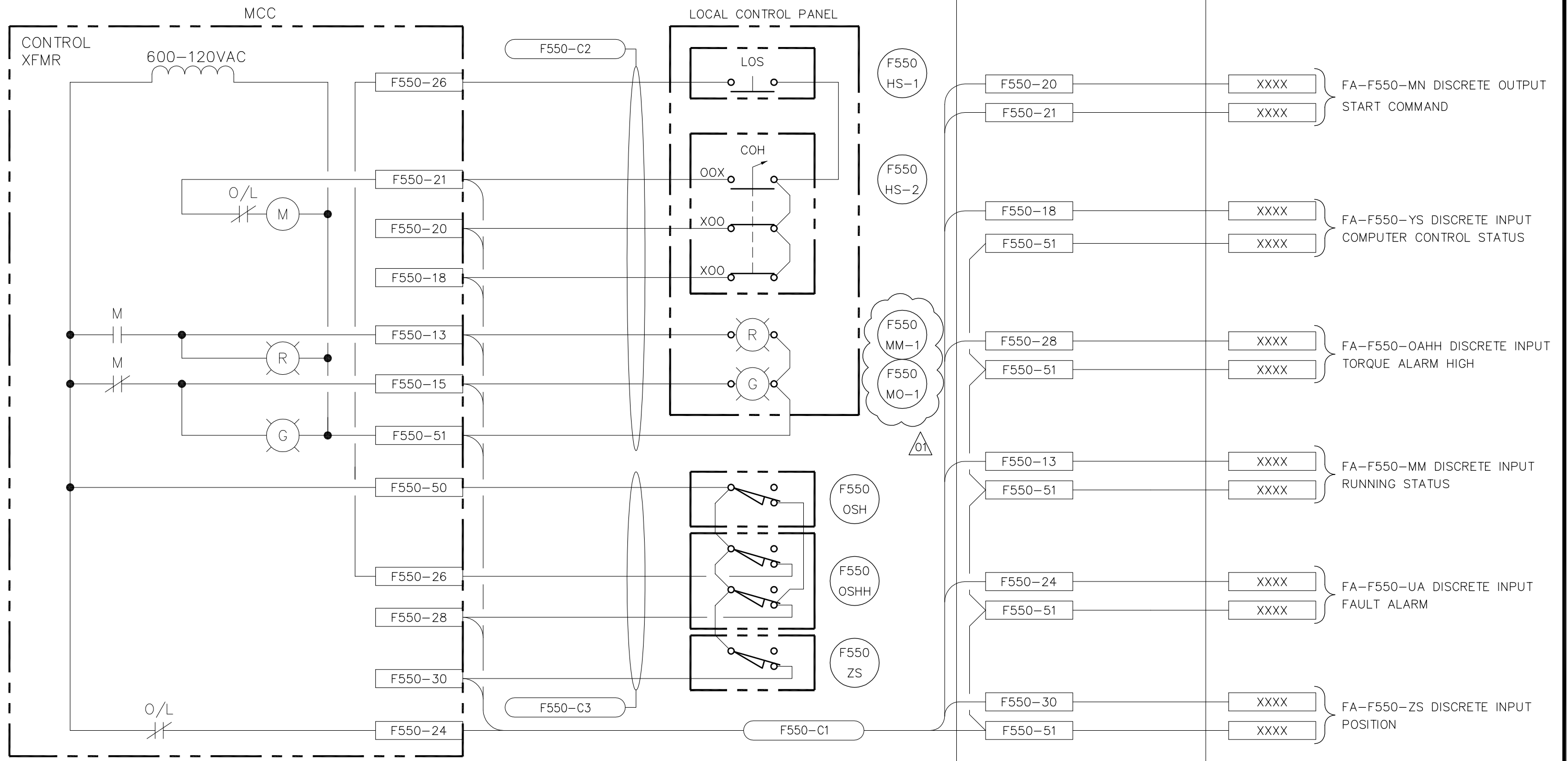
LOOP NO. F550

FIELD

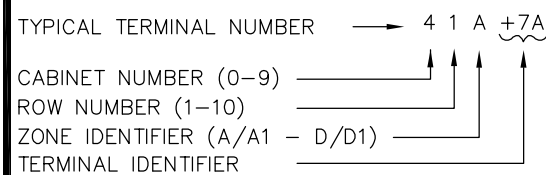
FIELD DEVICE PANEL

DCS

REFER TO DCS TERMINAL NUMBERING LEGEND BELOW



DCS TERMINAL NUMBERING



Earth Tech (Canada) Inc. Winnipeg, Manitoba 204.477.5381

06/07/10	21-2006 ADDENDUM 8	BL
DATE	REVISION	APP.



**THE CITY OF WINNIPEG**  
**WATER AND WASTE DEPARTMENT**  
 WEWPCC - BIOLOGICAL NUTRIENT REMOVAL UPGRADE

TYPICAL INSTRUMENT LOOP DIAGRAM  
 FERMENTER / CLARIFIER MECHANISM DRIVE

SCALE AS NOTED  
 DATE 2006/06/05  
 DES SWT DWN SRP  
 CKD BL APP SWT

DRAWING NO.  
 ILD-13