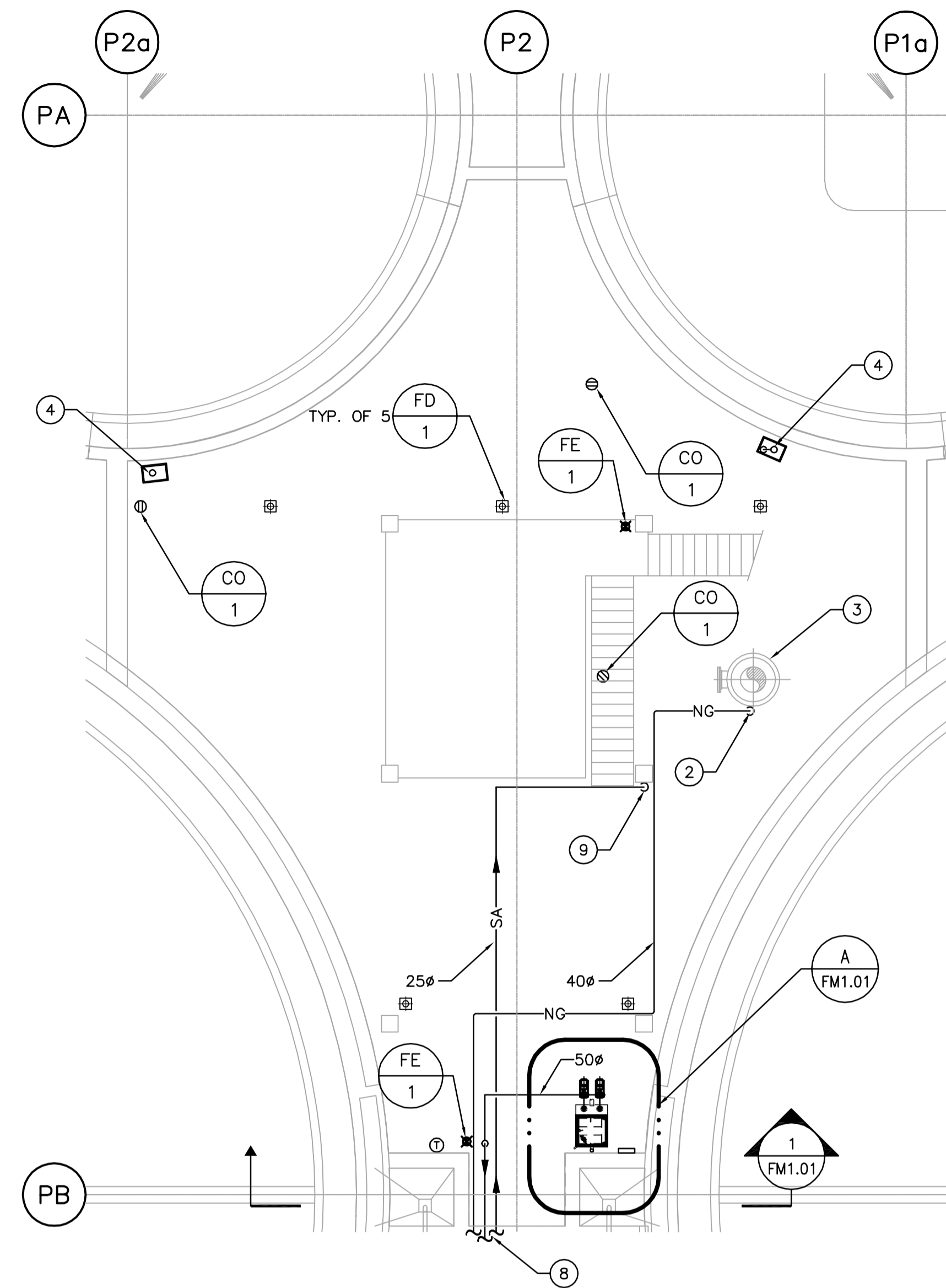
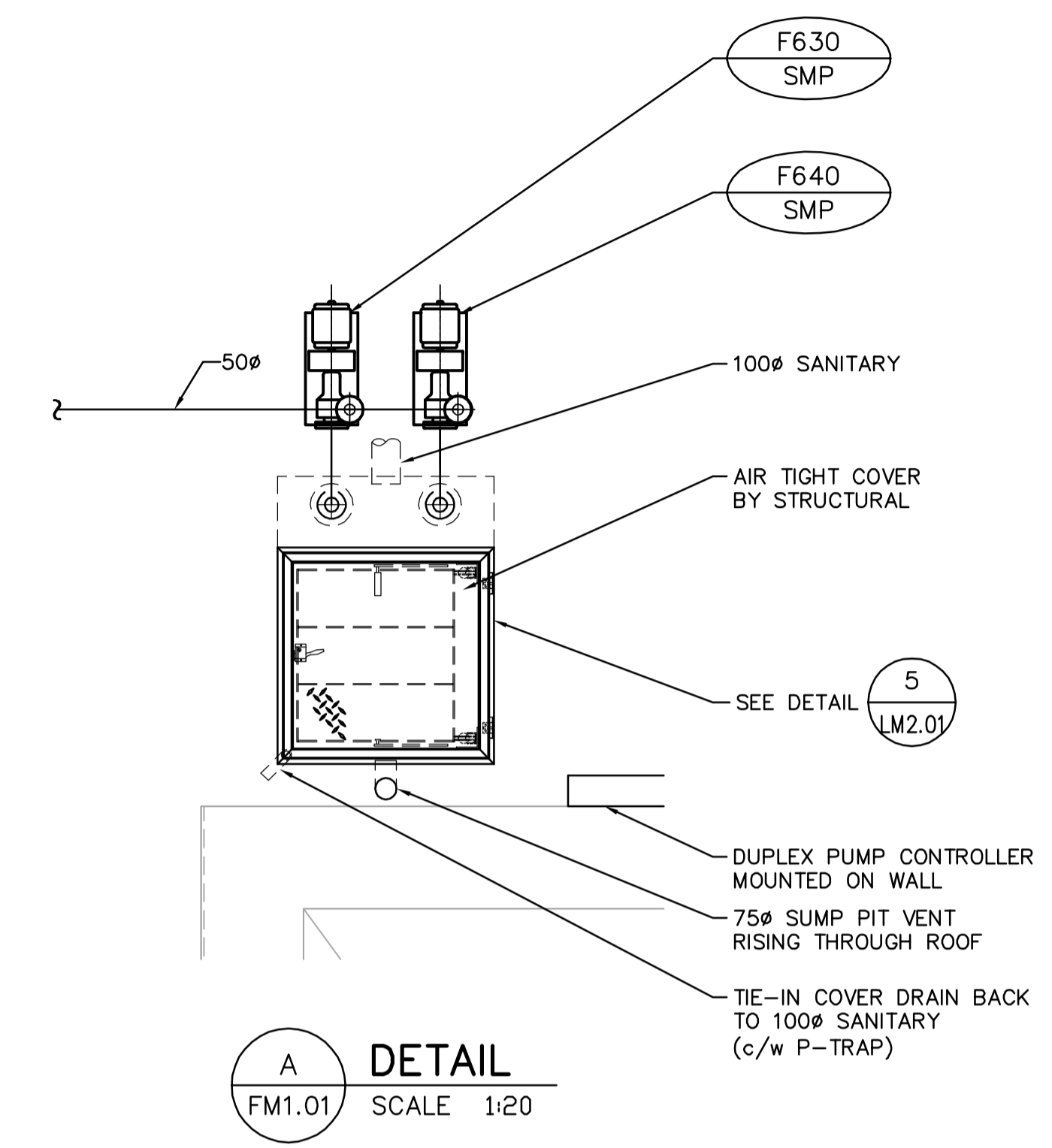
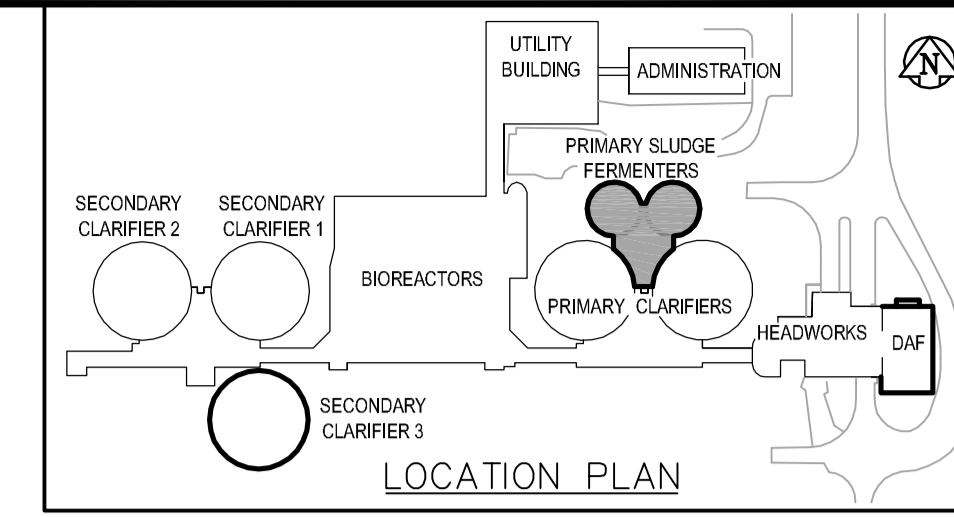


FOUNDATION PLUMBING PLAN
SCALE: 1:100



LOWER LEVEL PLUMBING PLAN
SCALE: 1:100

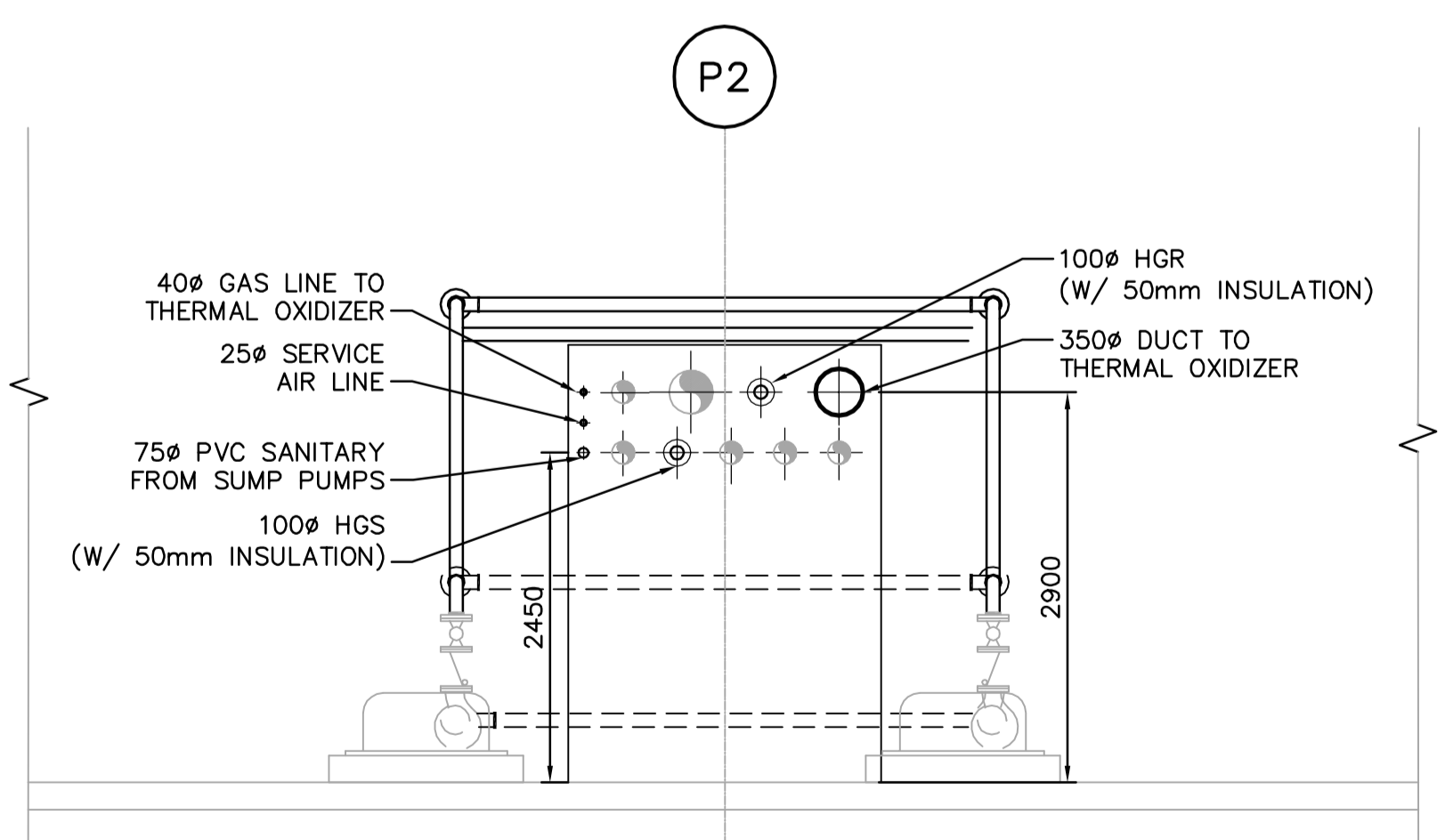


DRAWING NOTES

- ① 1012Lx762Wx2500 DEEP SUMP PIT.
- ② LOCATED GAS COCK AND PRESSURE REDUCER NEAR F661-TO.
- ③ PROCESS MECHANICAL THERMAL OXIDIZER.
- ④ 50φ SANITARY SERVING DIVISION II SERVICE SINK (SK-1).
- ⑤ SANITARY LINE EL. INV: 235.676.
- ⑥ SANITARY LINE EL. INV: 235.757.
- ⑦ SANITARY LINE EL. INV: 235.506.
- ⑧ SEE DRAWING PM1.01 FOR CONTINUATION.
- ⑨ RUN SERVICE AIR LINE DOWN ON MEZZANINE SUPPORT COLUMN. SEE DRAWING LM2.02 FOR SERVICE AIR CONNECTION DETAIL.
- ⑩ FIRE EXTINGUISHER LOCATED ON MEZZANINE LEVEL.

GENERAL NOTES

1. COORDINATE WITH OTHER TRADES SO AS TO PREVENT CONFLICTS.
2. ALL SANITARY PIPE 75φ AND SMALLER SHALL BE SLOPED AT 2%.
3. ALL SANITARY PIPE 100φ AND LARGER SHALL BE SLOPED AT 1%.



NOTE: FOR ALL OTHER PIPES SEE PROCESS MECHANICAL.

1 SECTION - PIPE & DUCT PENETRATION LOCATION
FM1.01 SCALE 1:50



B.M. ELEV.					
 A Tyco International Ltd. Company		DESIGNED BY	DC	CHECKED BY	PVL
		DRAWN BY	DC	APPROVED BY	JEH
		HOR. SCALE:	AS NOTED	RELEASED FOR CONSTRUCTION BY:	J. VEILLEUX
		VERTICAL SCALE:		DATE	2005/12/19
		NO. REVISIONS	DATE	DATE	2006/04/26

ENGINEER'S SEAL	
ORIGINAL SIGNED BY	A. BURACHYNSKY
	2006/04/26
CONSULTANT DRAWING NO.	FM1.01

 THE CITY OF WINNIPEG WATER AND WASTE DEPARTMENT ENGINEERING DIVISION		CITY FILE NUMBER
WEWPCC BIOLOGICAL NUTRIENT REMOVAL UPGRADE CONTRACT 3		SHEET OF
MECHANICAL AREA F - PRIMARY SLUDGE FERMENTER PLUMBING PLANS & SECTION		CITY DRAWING NUMBER