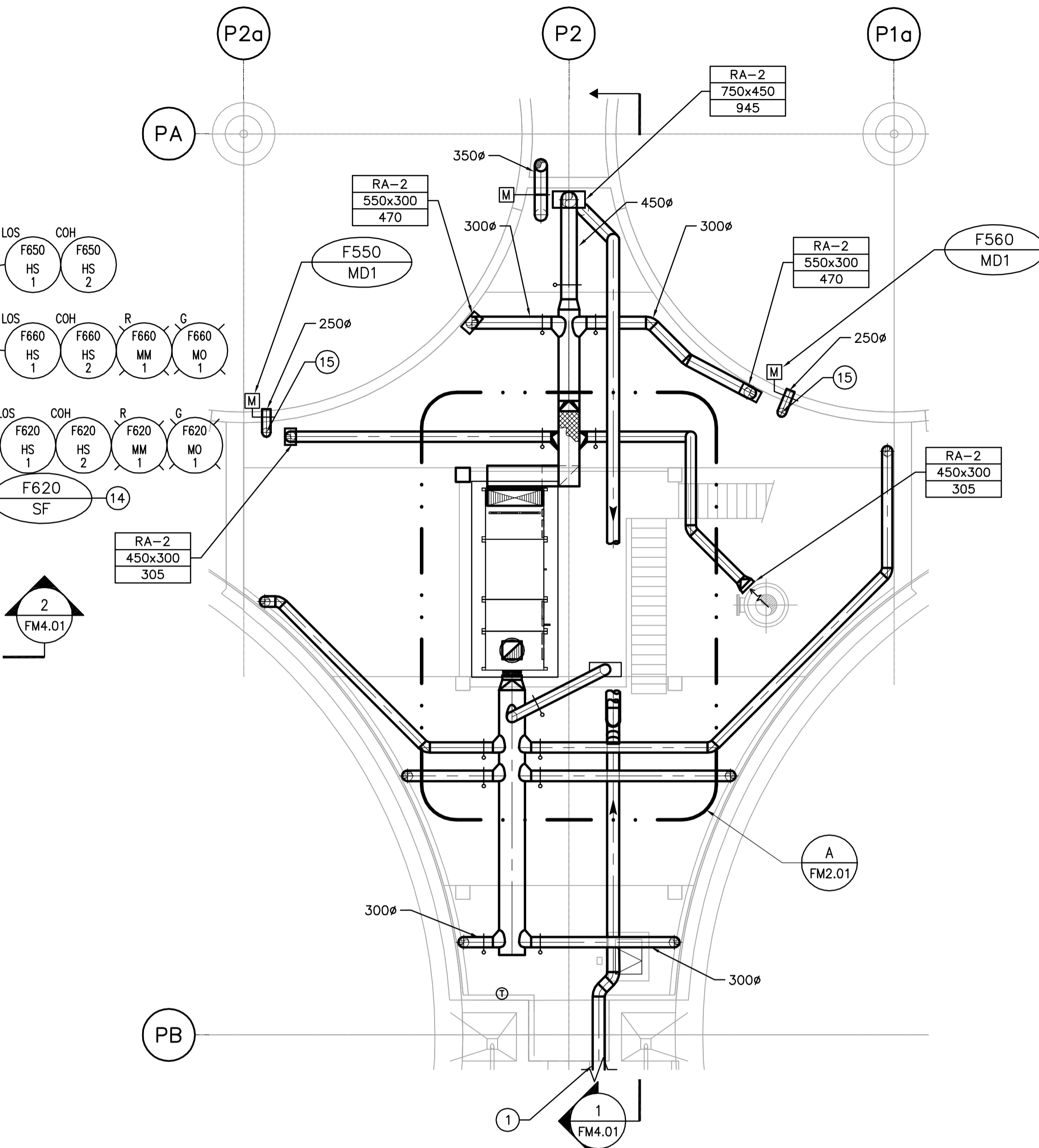
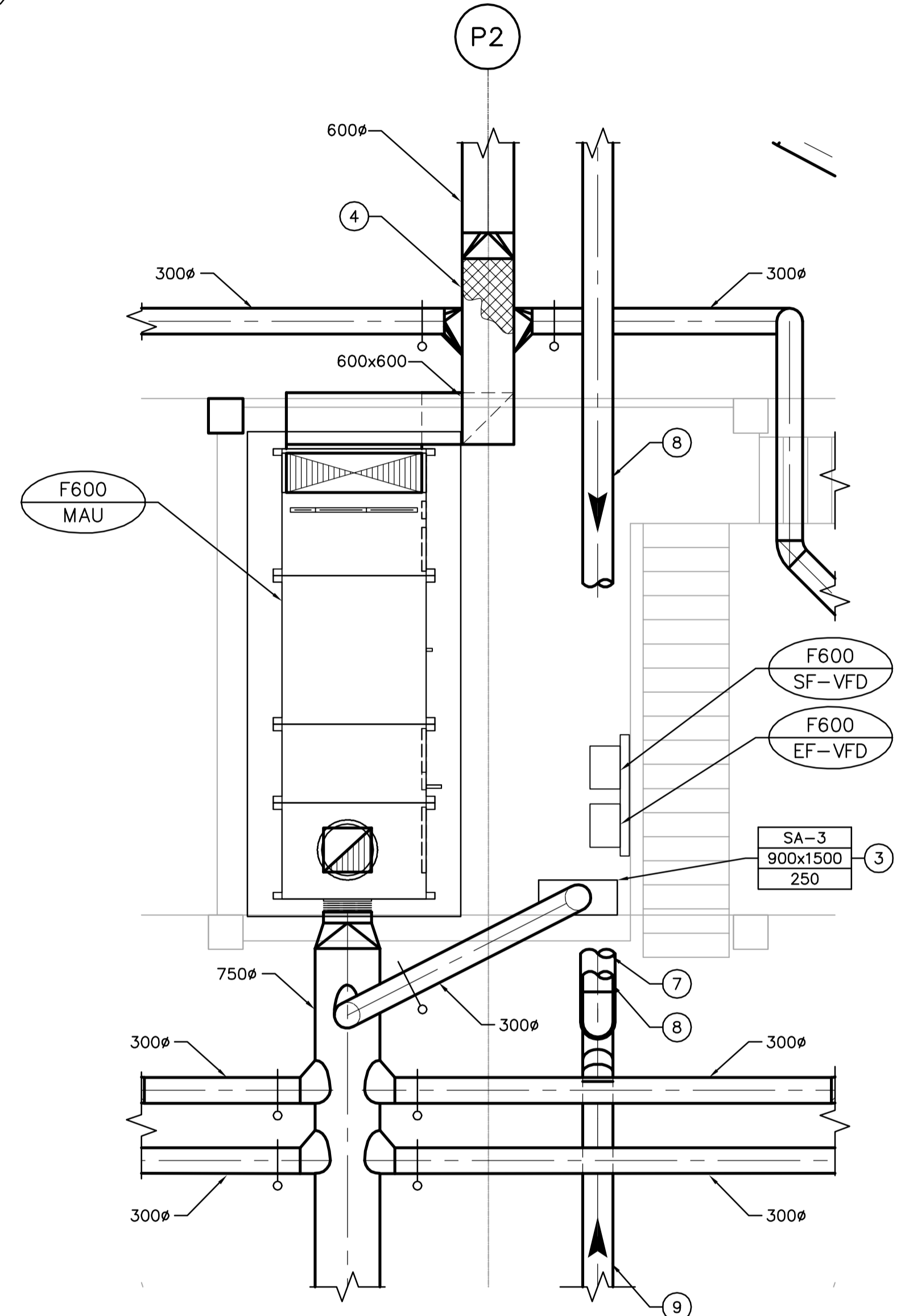


LOWER LEVEL VENTILATION PLAN
SCALE: 1:100



UPPER LEVEL VENTILATION PLAN
SCALE: 1:100



A MEZZANINE LEVEL VENTILATION PLAN
SCALE 1:50

DRAWING NOTES

- 1 SEE DRAWING PM2.01 FOR CONTINUATION.
- 2 DIFFUSERS MOUNTED 300mm A.F.F. TYPICAL OF 6.
- 3 DIFFUSER SECURED TO RAILING.
- 4 ACOUSTIC INSULATION FOR ENTIRE LENGTH OF 600x600 DUCT.
- 5 CONNECT TO PROCESS MECHANICAL THERMAL OXIDIZER.
- 6 THERMAL OXIDIZER (F661-TO). SEE PROCESS MECHANICAL
- 7 400ø DUCT TO F660-EF.
- 8 350ø FOUL AIR DUCT FROM F650-EF.
- 9 350ø FOUL AIR DUCT FROM H710-EF.
- 10 ADD BALANCING DAMPER ON DISCHARGE SIDE OF F650-EF. BALANCING DAMPER SHALL BE MINIMUM THREE (3) DUCT DIAMETERS AWAY FROM FAN DISCHARGE.
- 11 PRESSURE TRANSMITTER (F555-PIT2) LOCATED AT HIGHEST POINT IN WET WELL.
- 12 MOTORIZED DAMPERS F661-MD1 AND F662-MD1.
- 13 SUPPLY AND INSTALL 600X400 STAINLESS STEEL FUME HOOD 1800 A.F.F. FUME HOOD SHALL BE CENTRED OVER DIVISION II SAMPLING LINES.
- 14 SUPPLY FANS INSTALLED DIRECTLY ABOVE STAINLESS STEEL FUME HOODS. 250ø DUCT FROM SUPPLY FANS SHALL RISE UP ALONG WALL AND PENETRATE THE FERMENTER TANKS AS HIGH AS POSSIBLE.



B.M. ELEV.					
DESIGNED BY	DC	CHECKED BY	PVL		
DRAWN BY	DC	APPROVED BY	JEH		
HOR. SCALE:	AS NOTED	RELEASED FOR CONSTRUCTION BY:	J. VEILLEUX		
VERTICAL SCALE:					
00 ISSUED FOR TENDER	06/04/26	DC			
NO. REVISIONS	DATE	BY	DATE	2005/12/19	DATE 2006/04/26

ENGINEER'S SEAL
ORIGINAL SIGNED BY
A. BURACHYNSKY
2006/04/26
CONSULTANT DRAWING NO.
FM2.01

THE CITY OF WINNIPEG
WATER AND WASTE DEPARTMENT
ENGINEERING DIVISION

WEWPCC
BIOLOGICAL NUTRIENT REMOVAL UPGRADE
CONTRACT 3

MECHANICAL
AREA F - PRIMARY SLUDGE FERMENTERS
PUMP ROOM VENTILATION PLANS

CITY FILE NUMBER
SHEET OF
CITY DRAWING NUMBER

GENERAL NOTES

1. COORDINATE WITH OTHER TRADES SO AS TO PREVENT CONFLICTS.
2. ALL DUCTWORK SHALL BE SUPPORTED AND SUSPENDED AS PER SPECIFICATIONS AND LOCAL CODES (SEE DETAILS).
3. ALL DUCTWORK SHALL BE STAINLESS STEEL.