

PILING PLAN
SCALE: 1:100

NOTE:
PILES UNDER FERMENTER TANKS ARE EQUALLY SPACED IN CIRCULAR DIRECTION AT TYPICAL ANGULAR DIVISIONS SHOWN ON PLAN U.N.O.

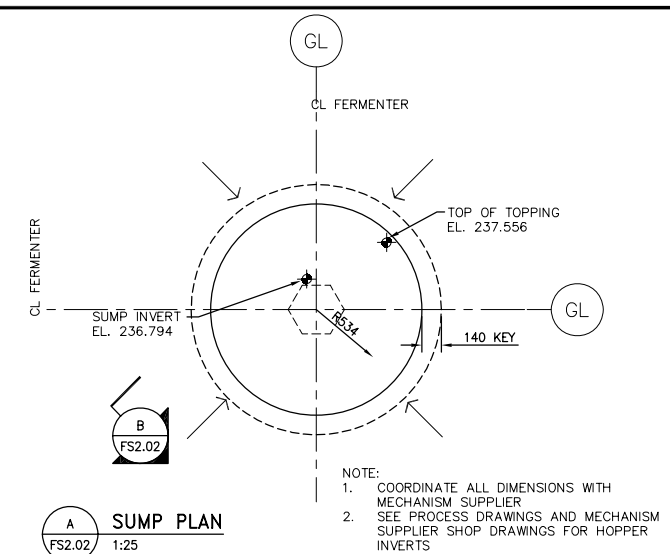


PILE SCHEDULE (FERMENTERS)

MARK	DIA.	CUT-OFF ELEV.
P-1	350	236.400
P-2	350	237.420
P-3	350	237.920
P-4	350	238.200
P-5	350	235.920
P-6	350	235.910
P-7	350	235.900
P-8	350	235.890
P-9	350	235.880
P-10	350	235.870
P-11	400	235.870
P-12	350	235.930
P-13	400	235.930

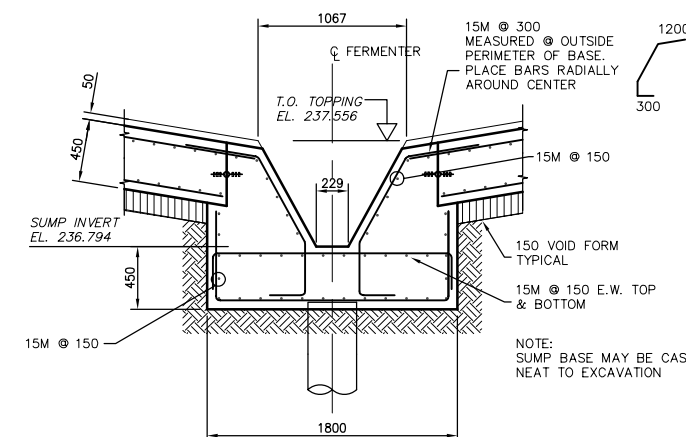
NOTE:
DIAMETER IS NOMINAL DIAMETER OF PRECAST CONCRETE HEXAGONAL PILE

1-350 DIA. PILE C/W CAP (SEE STANDARD DETAILS) FOR THERMAL OXIDIZER GUY WIRE. CONFIRM LOCATION AND ELEVATION WITH THERMAL OXIDIZER SUPPLIER.

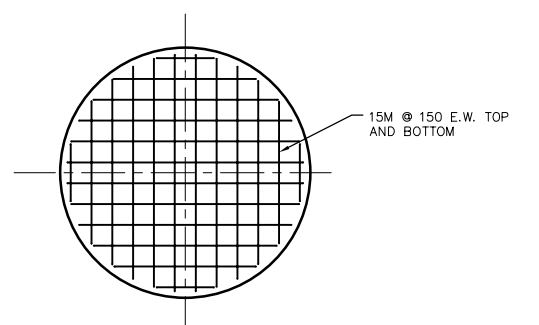


SUMP PLAN
FS2.02 1:25

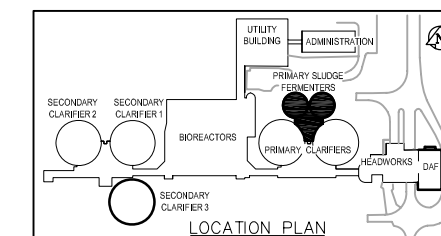
NOTE:
1. COORDINATE ALL DIMENSIONS WITH MECHANISM SUPPLIER
2. SEE PROCESS DRAWINGS AND MECHANISM SUPPLIER SHOP DRAWINGS FOR HOPPER INVERTS



SUMP SECTION
FS2.01 1:25



BASE REINFORCING
FS2.01 1:25



LOCATION PLAN

B.M. ELEV.					
DESIGNED BY	CJG	CHECKED BY	CJG	DATE	2006/03/10
DRAWN BY	NV	APPROVED BY	JEH	DATE	2006/04/26
HOR. SCALE:	AS NOTED	RELEASED FOR CONSTRUCTION BY:	J. VEILLEUX	DATE	2006/04/26
VERTICAL SCALE:					
ISSUED FOR TENDER	06/04/26	NV			
NO. REVISIONS					



ENGINEER'S SEAL
ORIGINAL SIGNED BY
C.J. GENTILE
2006/04/25
CONSULTANT DRAWING NO.
FS2.01

THE CITY OF WINNIPEG
WATER AND WASTE DEPARTMENT
ENGINEERING DIVISION

WEWPC
BIOLOGICAL NUTRIENT REMOVAL UPGRADE
CONTRACT No. 3

STRUCTURAL
AREA F - PRIMARY SLUDGE FERMENTERS
PILING PLAN AND SCHEDULE

CITY FILE NUMBER
SHEET OF
CITY DRAWING NUMBER