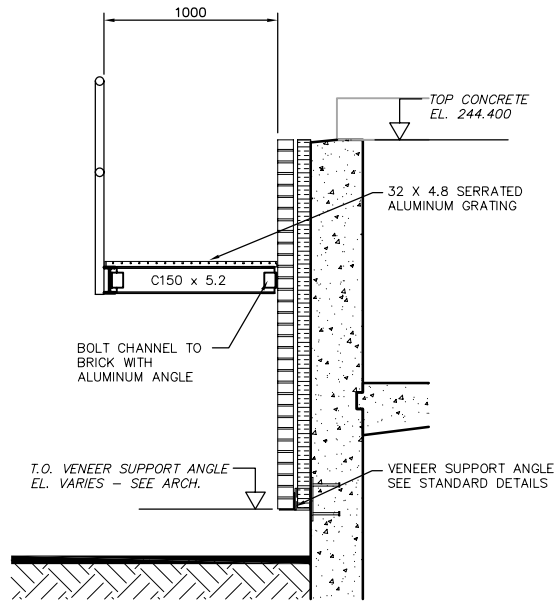
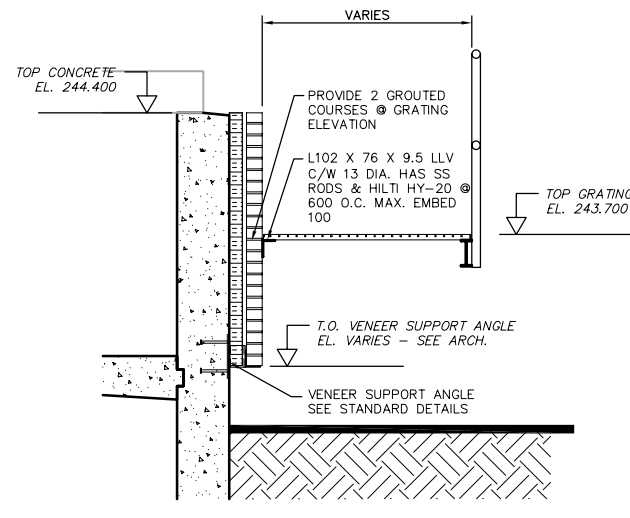


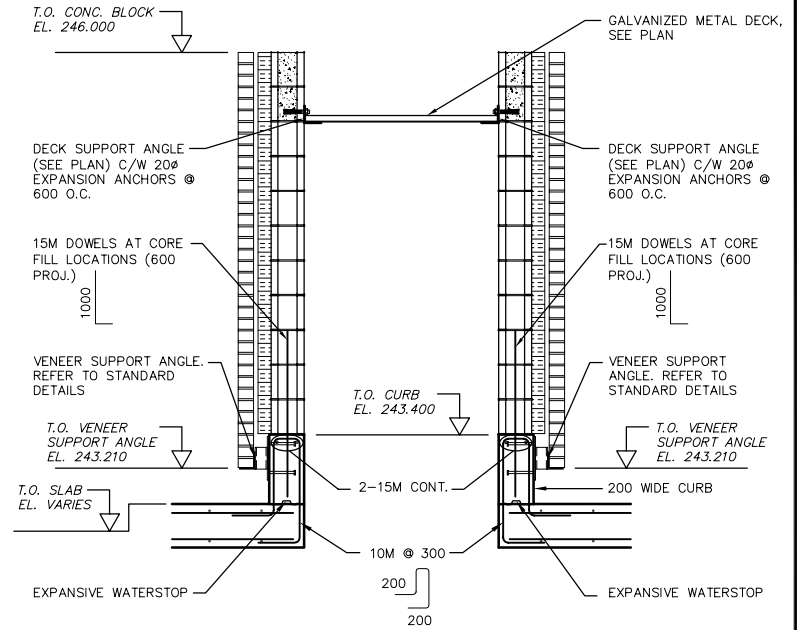
A SECTION AT OUTRIGGER TYPICAL WALKWAY
FS2.06 1:20



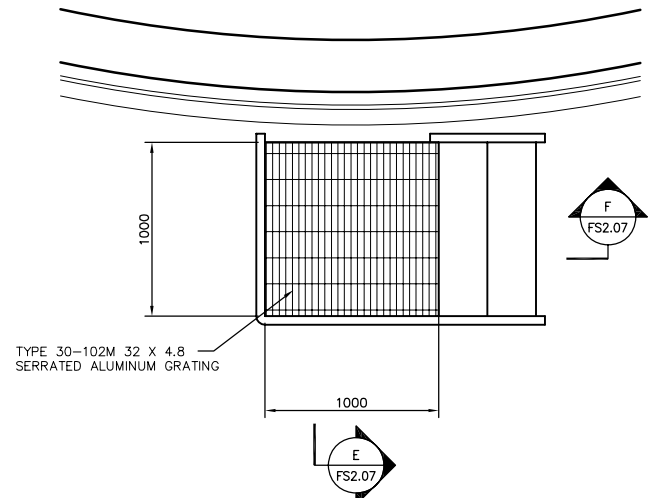
B SECTION AT MID-SPAN TYPICAL WALKWAY
FS2.06 1:20



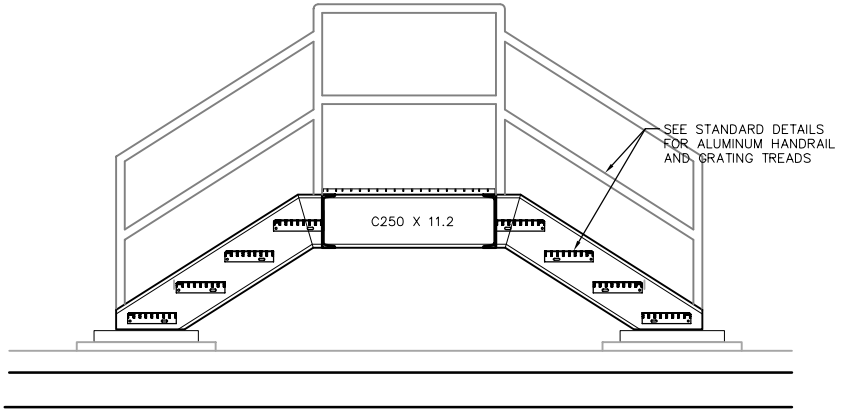
C SECTION BETWEEN SUPPORTS TYPICAL WALKWAY
FS2.06 1:20



H SECTION
FS2.06 1:20

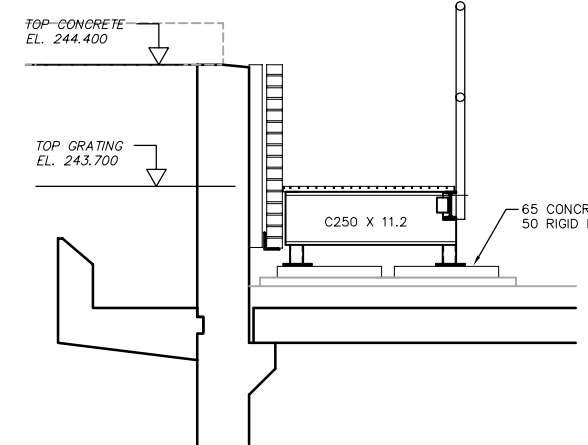
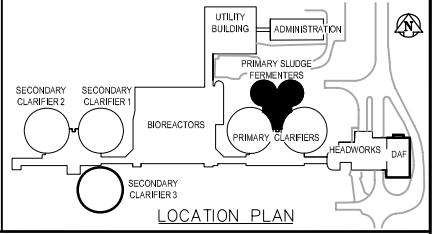


D PLATFORM PLAN
FS2.06 1:20

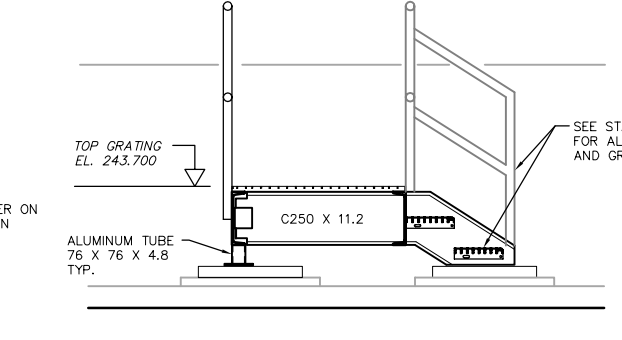


G STILE SECTION
FS2.06 1:20

NOTE:
ALL WALKWAY AND PLATFORM FRAMING SHALL BE ALUMINUM SECTIONS U.N.O. SEE TABLE ON DRAWING FS2.06 FOR SECTION GEOMETRY.



E PLATFORM SECTION
FS2.07 1:20



F PLATFORM SECTION
FS2.07 1:20

APEGM
Certificate of Authorization
Earth Tech Canada Inc.
No. 730 Expiry: April 30, 2006

B.M. ELEV.					
DESIGNED BY	CJG	CHECKED BY	CJG	ENGINEER'S SEAL	
DRAWN BY	NV	APPROVED BY	JEH	ORIGINAL SIGNED BY	C.J. GENTILE
HOR. SCALE:	AS NOTED	RELEASED FOR CONSTRUCTION BY:	J.VEILLEUX	DATE	2006/04/25
VERTICAL SCALE:				CONSULTANT DRAWING NO.	FS2.07
ISSUED FOR TENDER	06/04/26	DATE	2006/03/10	DATE	2006/04/26
NO. REVISIONS		DATE		DATE	

THE CITY OF WINNIPEG
WATER AND WASTE DEPARTMENT
ENGINEERING DIVISION

WEWPC
BIOLOGICAL NUTRIENT REMOVAL UPGRADE
CONTRACT No. 3

STRUCTURAL
AREA - F PRIMARY SLUDGE FERMENERS
WALKWAY SECTIONS AND DETAILS

CITY FILE NUMBER
SHEET OF
CITY DRAWING NUMBER