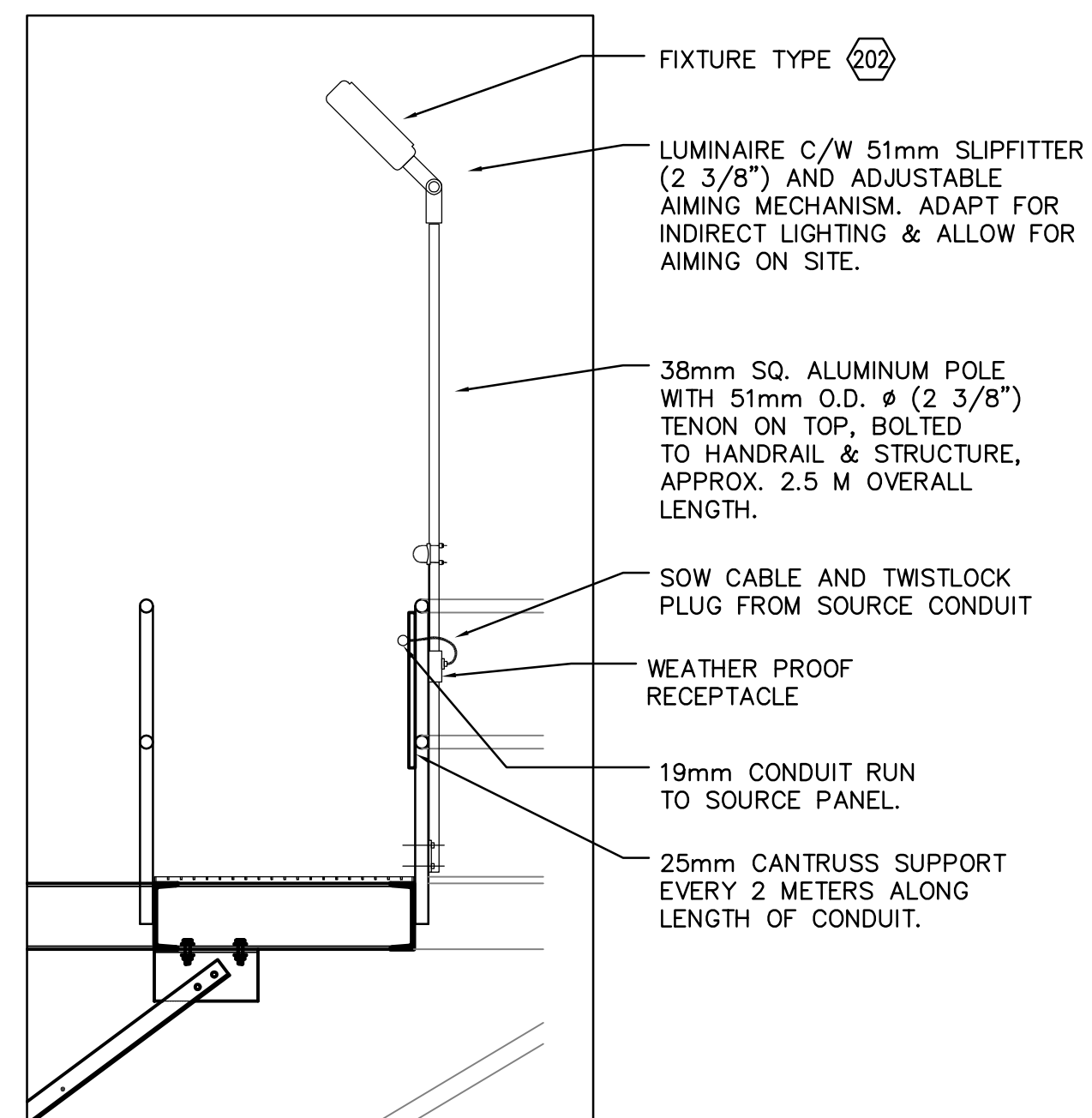
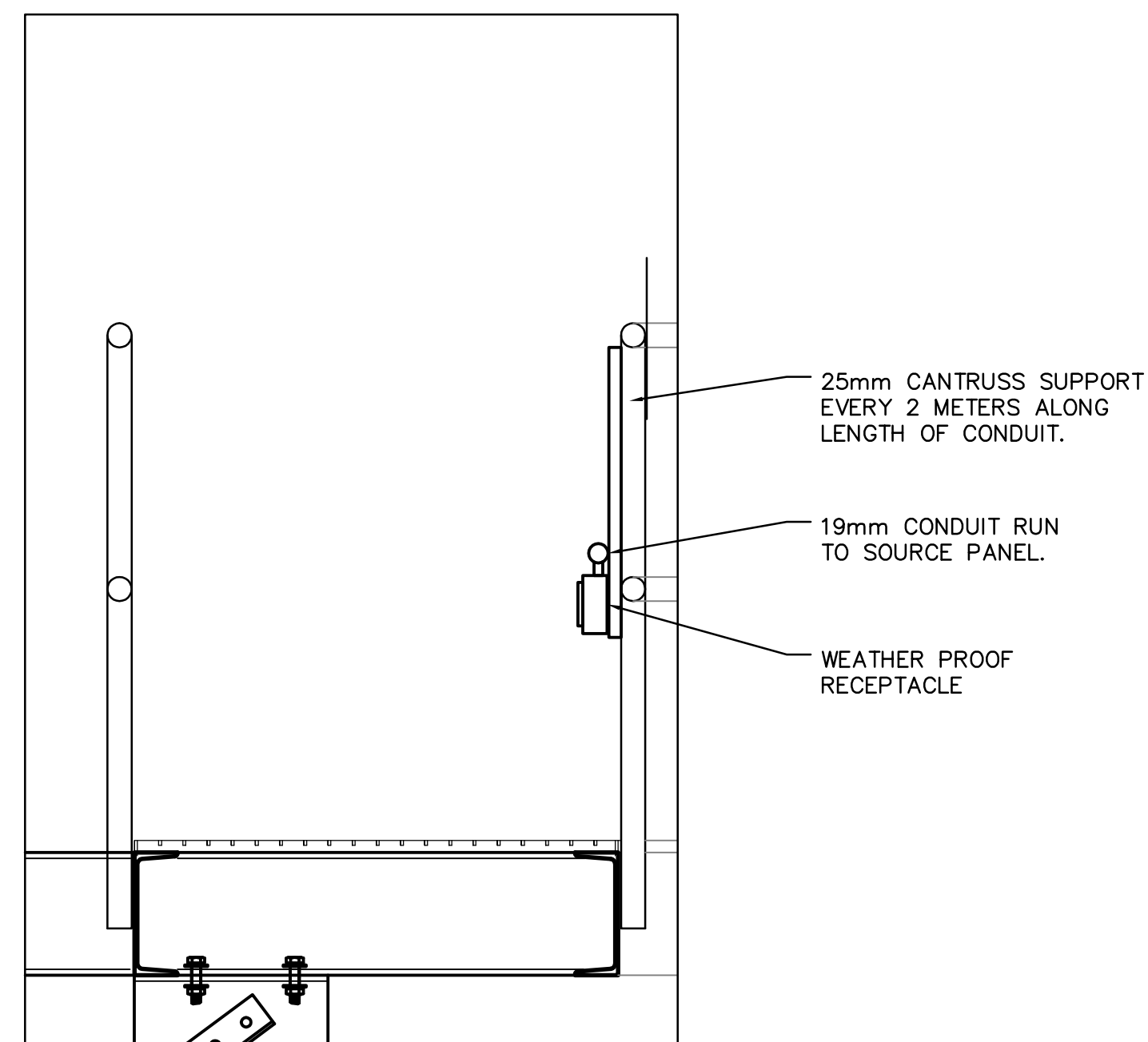


A **DETAIL – FIXTURE TYPE 201 MOUNTING**
SCALE NTS

LUMINAIRE SCHEDULE							
Type	Manufacturer	Catalogue No.	Voltage	Lamps		Mounting	Remarks
				No.	Type		
101	Metalux	VT2-232DR-347V-TEB8	347V	2	32W-T8	Surface	Vapourtight
102	Metalux	VT2-232DR-120V-TEB8	120V	2	32W-T8	Surface	Vapourtight
201	Cooper Crouse-Hinds	VMVSJ100GP/120	120V	1	100W-HPS	Stanchion	Mounted on centre platform
202	Keene	PHA251LXL-6B	347V	1	250W-HPS	2"RGS	
203	Holophane	EN-250HP-34-Q-8	347V	1	250W-HPS		
203A	Holophane	EN-250HP-34-Q-8-EM	347V	1	250W-HPS		Provide receptacle adjacent to fixture for quick connection
204	Keene	553 250 LXL 537 P150W 347	347V	1	100W QUARTZ		
					250W-HPS	500mm above door frame	c/w Wireguard and photocell



B **DETAIL – FIXTURE TYPE 202 MOUNTING**
SCALE NTS



C **DETAIL – RECEPTACLE MOUNTING**
SCALE NTS



B.M. ELEV.			
DESIGNED BY	GSN	CHECKED BY	PS
DRAWN BY	ERC	APPROVED BY	JEH
HOR. SCALE:	NTS	RELEASED FOR CONSTRUCTION BY:	J. VEILLEUX
VERTICAL SCALE:		DATE	2006/01/27
NO. REVISIONS		DATE	2006/04/26



ENGINEER'S SEAL

ORIGINAL SIGNED BY
P. STRYK

2006/04/26

CONSULTANT DRAWING NO.
LE2.01



WEWPCC
BIOLOGICAL NUTRIENT REMOVAL UPGRADE
CONTRACT 3

ELECTRICAL
AREA L – GENERAL AND SITEWORKS
LUMINAIRE SCHEDULE AND MOUNTING DETAILS

CITY FILE NUMBER

SHEET OF

CITY DRAWING NUMBER