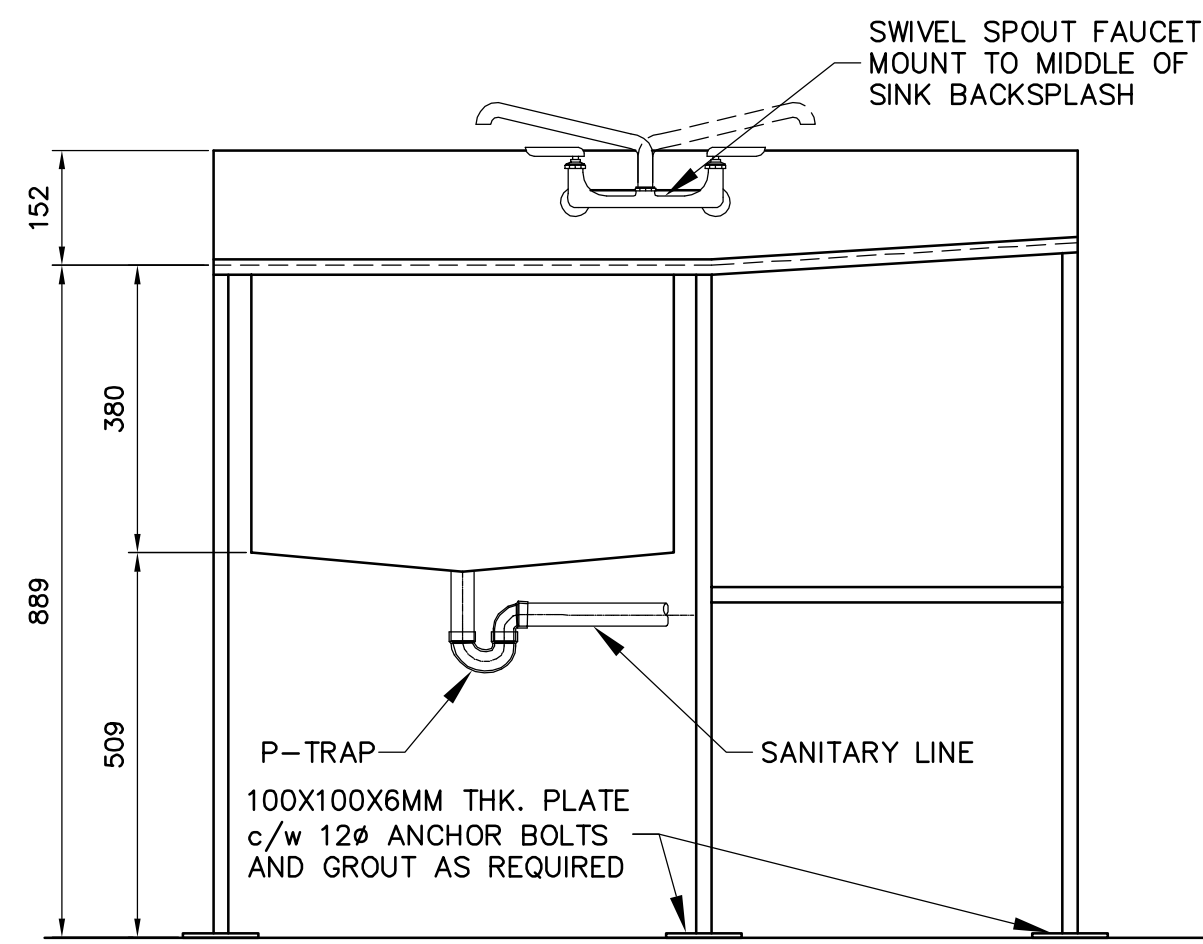
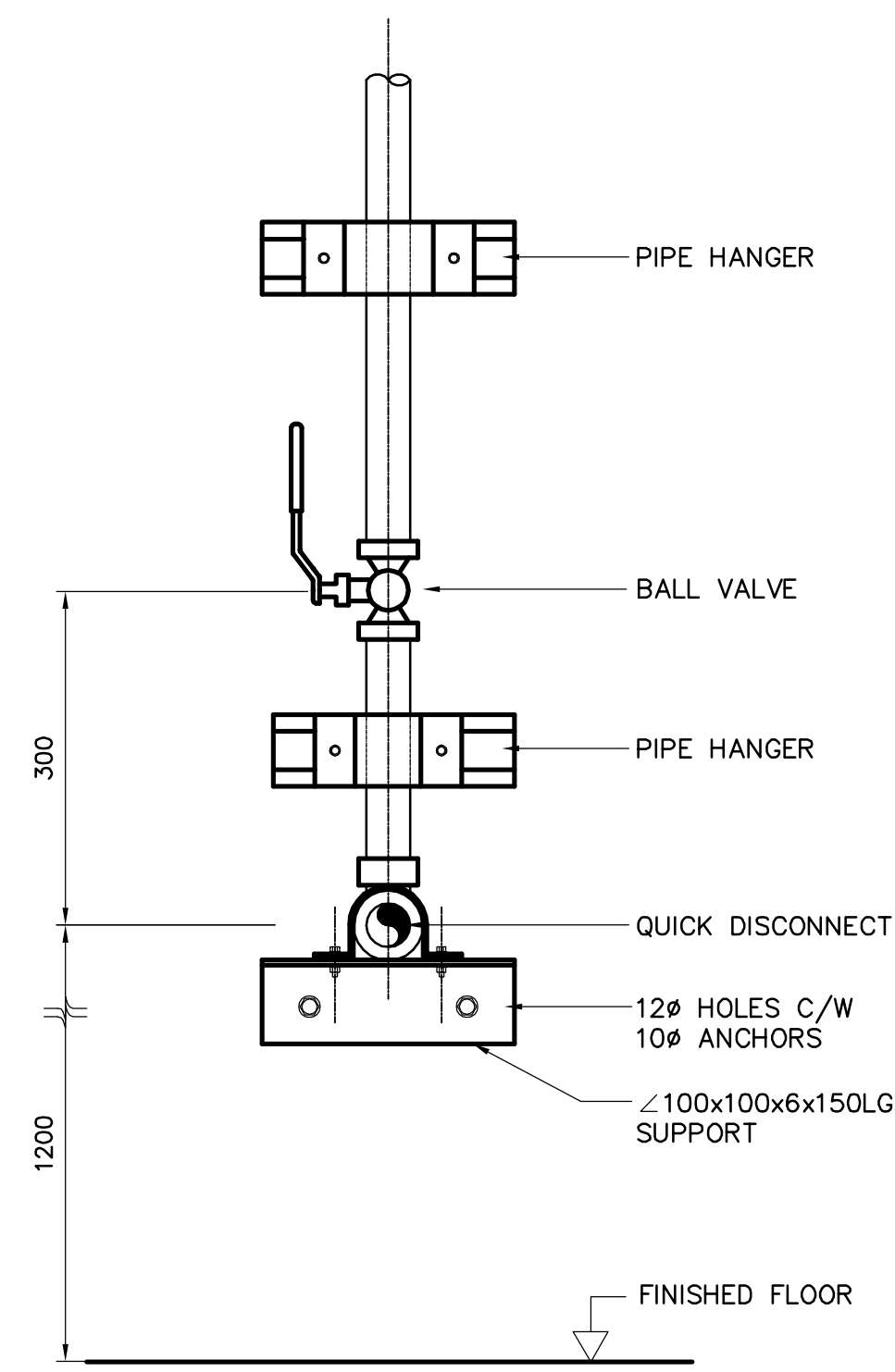


PLAN

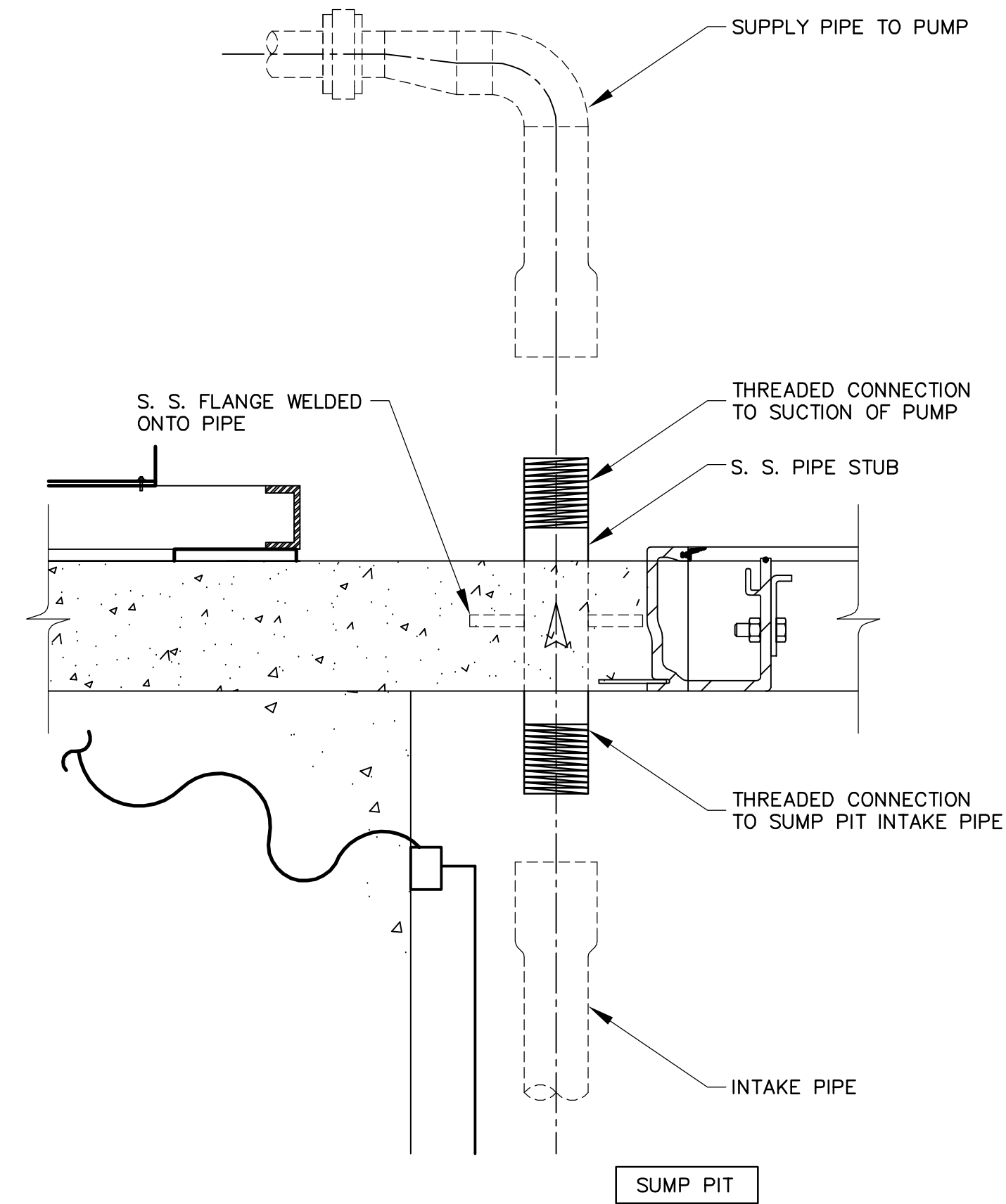


ELEVATION

1 STAINLESS STEEL SAMPLING SINK (SK-1)
LM2.02 SCALE N.T.S.



2 SERVICE AIR CONNECTION
LM2.02 SCALE N.T.S.



3 CAST IN PLACE PIPE STUB SECTION
LM2.02 SCALE N.T.S.



B.M. ELEV.		 A Tyco International Ltd. Company		ENGINEER'S SEAL	
DESIGNED BY	DC	CHECKED BY	PVL	ORIGINAL SIGNED BY	A. BURACHYNSKY
DRAWN BY	DC	APPROVED BY	JEH	DATE	2006/04/26
HOR. SCALE: AS NOTED		RELEASED FOR CONSTRUCTION BY:		CONSULTANT DRAWING NO. LM2.02	
VERTICAL SCALE:		J. VEILLEUX			
NO.	REVISIONS	DATE	BY	DATE	2005/12/12

 THE CITY OF WINNIPEG WATER AND WASTE DEPARTMENT ENGINEERING DIVISION		CITY FILE NUMBER
WEWPCC BIOLOGICAL NUTRIENT REMOVAL UPGRADE CONTRACT 3		SHEET OF
MECHANICAL AREA L -GENERAL AND SITEWORKS PLUMBING STANDARD DETAILS		CITY DRAWING NUMBER