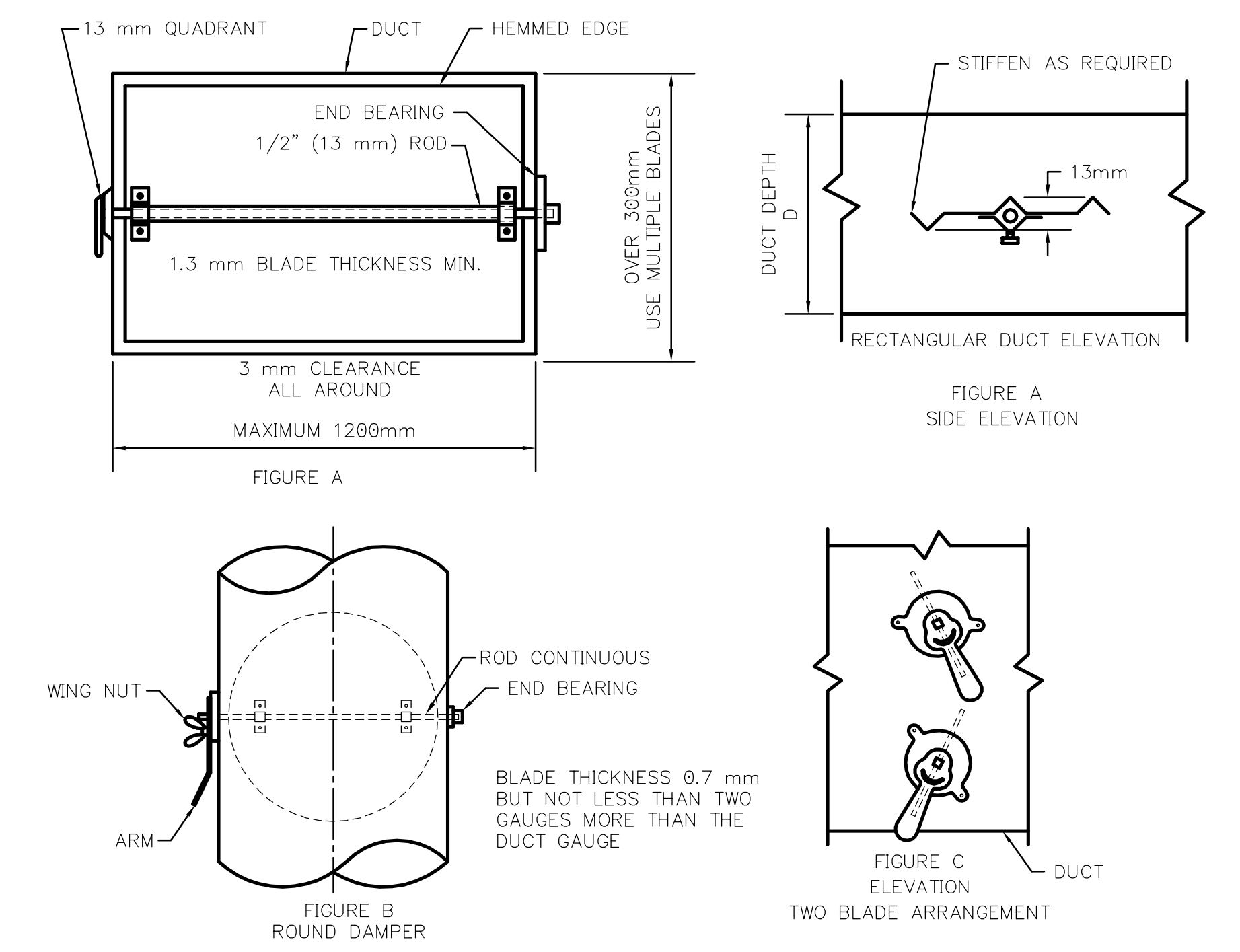
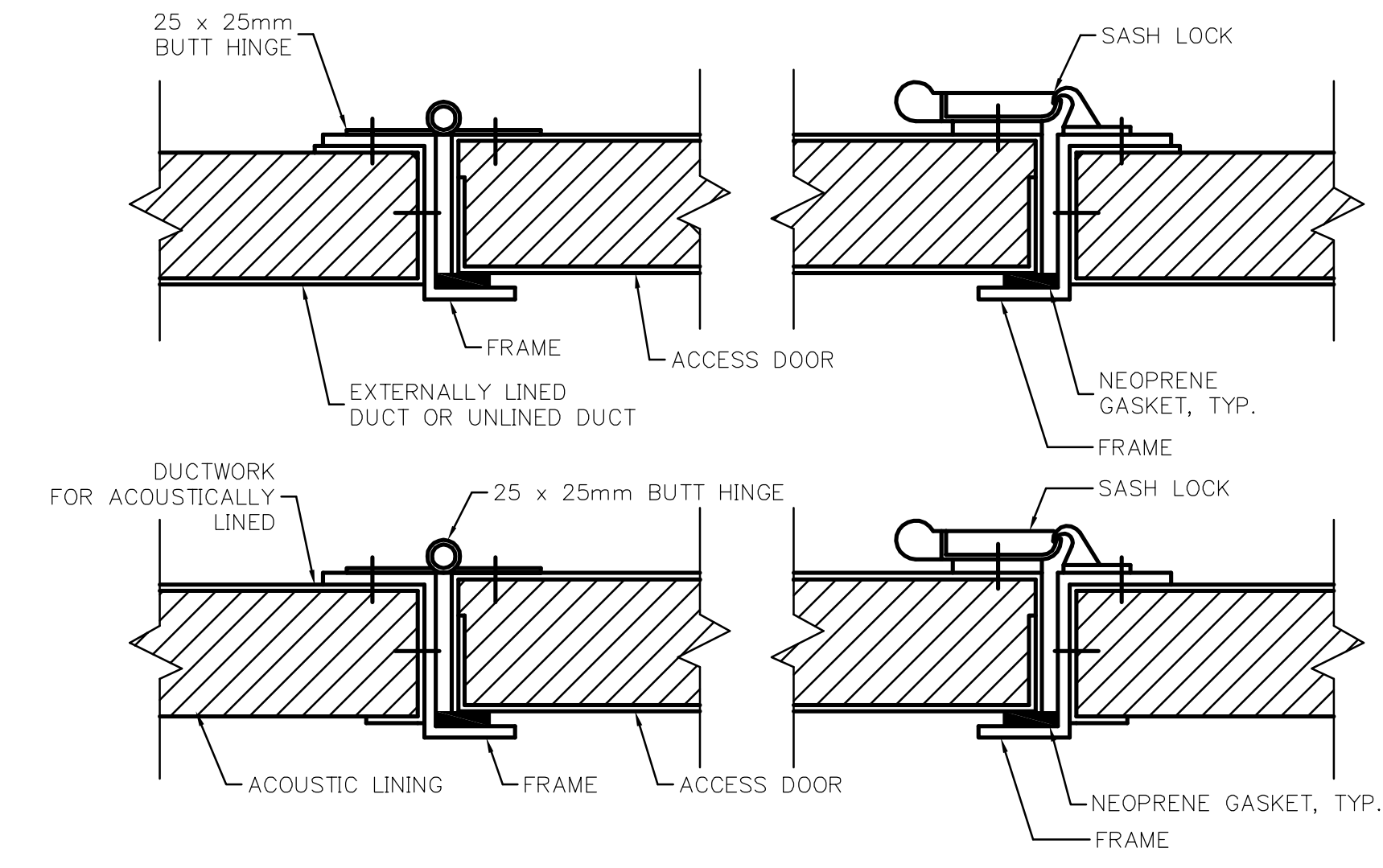


**2 DUCTWORK SUPPORT AND HANGAR DETAIL**  
LM3.01 SCALE N.T.S.



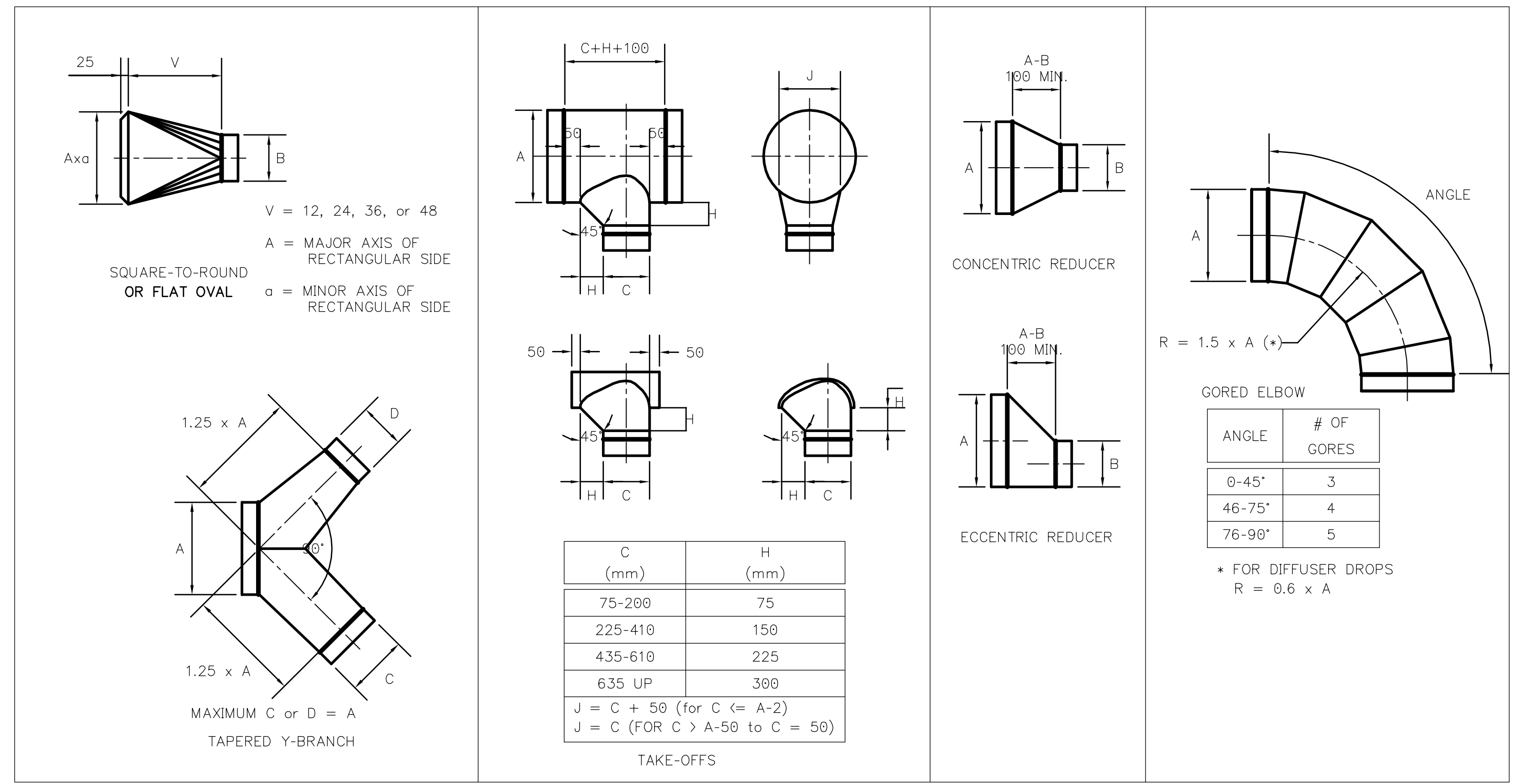
**3 BALANCING DAMPER DETAIL**  
LM3.01 SCALE N.T.S.



STATIC PRESSURE RATING	DOOR SIZE	HINGE QTY.	LOCK QTY.	METAL GAUGE		
				FRAME	DOOR	BACK
500 Pa & LESS	300 x 300	2	1-S	24	26	26
	400 x 500	2	2-S	22	24	26
	600 x 600	3	2-S	22	22	26
UP TO 750 Pa	300 x 300	2	1-S	22	22	26
	400 x 500	2	1-S,1-T,1-B	20	20	26
	600 x 600	3	2-S,1-T,1-B	20	20	24
1000 Pa to 2500 Pa	300 x 300	2	1-S,1-T,1-B	20	20	26
	400 x 500	3	2-S,1-T,1-B	20	18	24
	600 x 600	3	2-S,2-T,2-B	18	18	24

S: SIDE OPPOSITE HINGE, T: TOP, B: BOTTOM

**4 DUCT ACCESS DOOR DETAILS**  
LM3.01 SCALE N.T.S.



**5 ROUND AND FLAT OVAL DUCT FITTINGS**  
LM3.01 SCALE N.T.S.



NO.	REVISIONS	DATE	BY
00	ISSUED FOR TENDER	06/04/26	DC

DESIGNED BY PT/DC		CHECKED BY PVL	
DRAWN BY DC		APPROVED BY JEH	
HOR. SCALE: N.T.S.		RELEASED FOR CONSTRUCTION BY: J. VEILLEUX	
VERTICAL SCALE:		DATE 2005/12/12	
DATE 2005/12/12		DATE 2006/04/26	

ENGINEER'S SEAL

ORIGINAL SIGNED BY

A. BURACHYNSKY

2006/04/26

CONSULTANT DRAWING NO. LM3.01

**THE CITY OF WINNIPEG**  
WATER AND WASTE DEPARTMENT  
ENGINEERING DIVISION

WEPCC  
BIOLOGICAL NUTRIENT REMOVAL UPGRADE  
CONTRACT 3

CITY FILE NUMBER

SHEET OF

CITY DRAWING NUMBER

MECHANICAL  
AREA L - GENERAL AND SITEWORKS  
VENTILATION STANDARD DETAILS