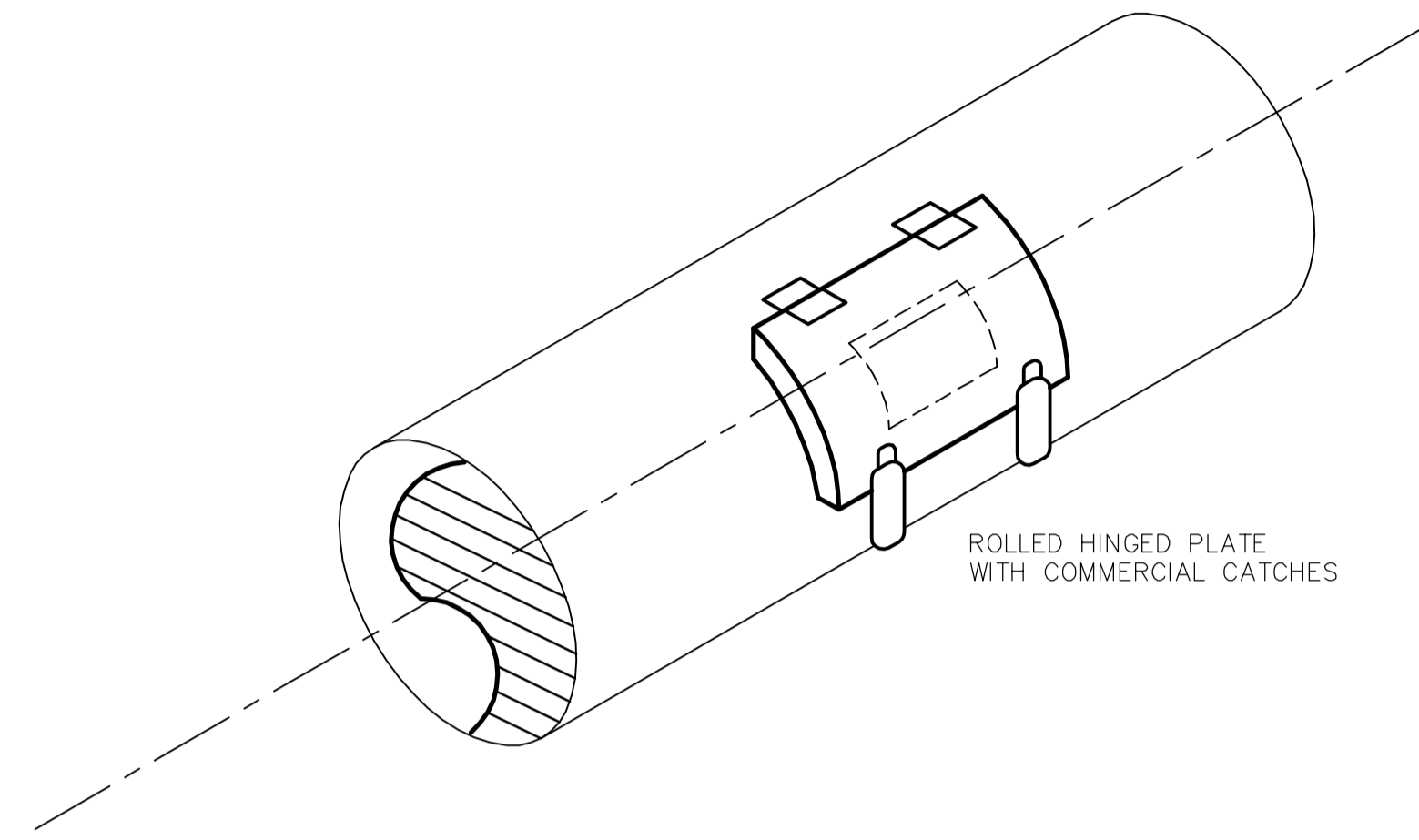


TYPICAL SIZING

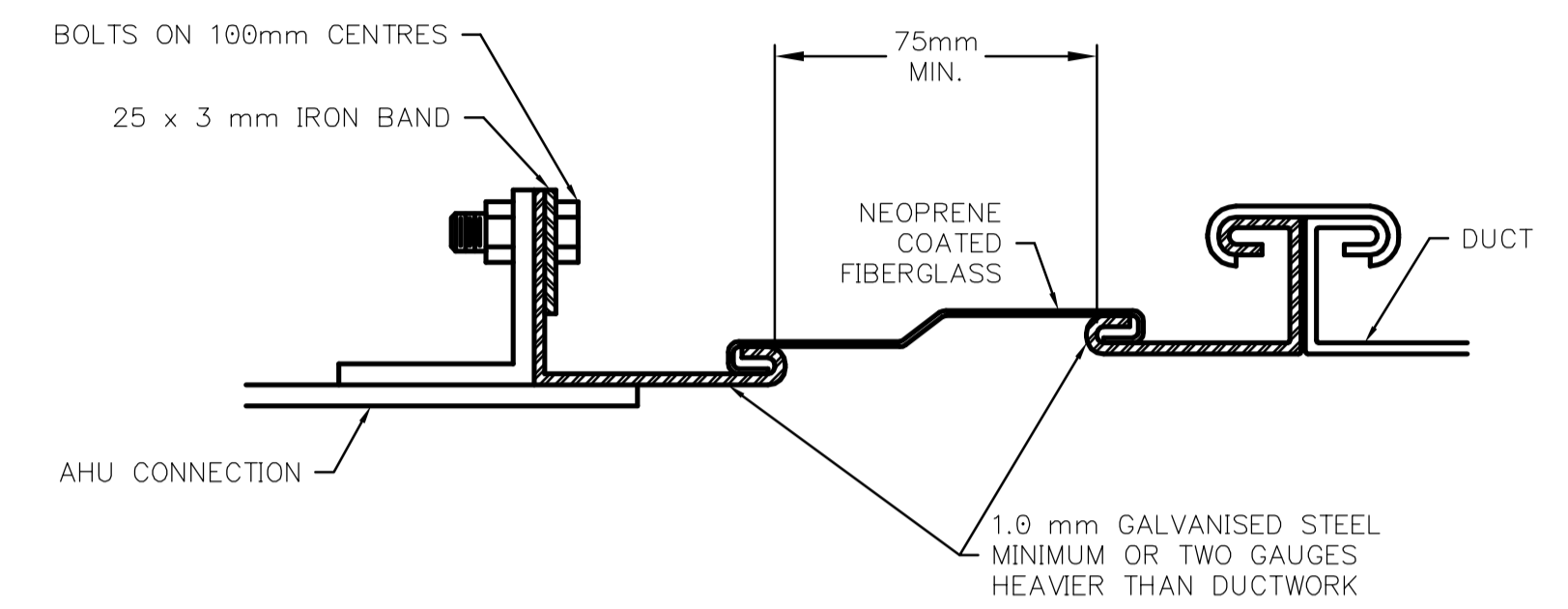
DUCT SIZE	ANGLE
900x450	25x25x3
1200x750	30x30x3

- NOTE:
- BRACKETS ARE SIZED FOR 3600mm OF DUCT MAX
  - LOCATE DUCTS AGAINST WALL OR MAX OF 50mm AWAY FROM WALL
  - EACH WALL ANCHOR SHALL SATISFY THE FOLLOWING:
    - TENSILE LOAD = 9 x DUCT WEIGHT; SAFETY FACTOR OF 4
    - SHEAR LOAD = 15 x DUCT WEIGHT; SAFETY FACTOR OF 4
  - SECURE WITH APPROVED ANCHORS TO MATCH WALL CONSTRUCTION

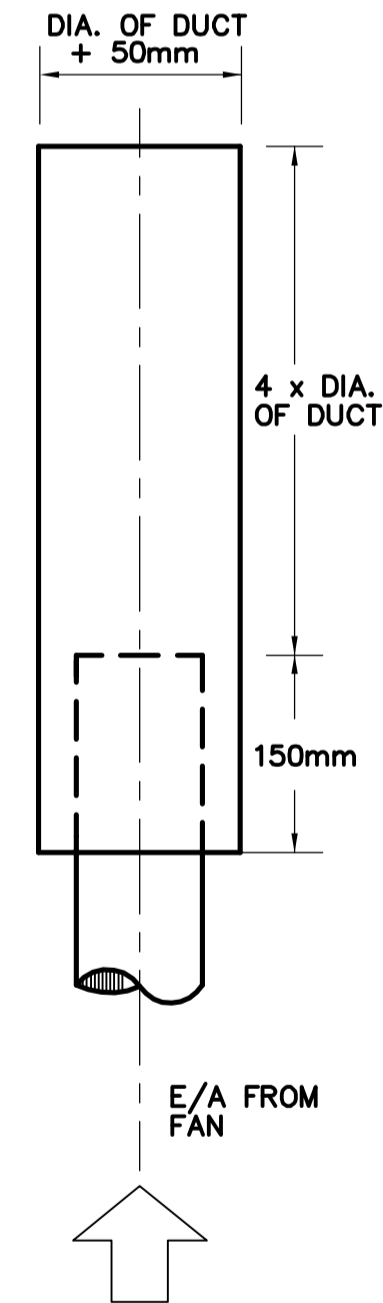
1 DUCT SUPPORTS FROM WALL DETAIL  
LM3.02 SCALE N.T.S.



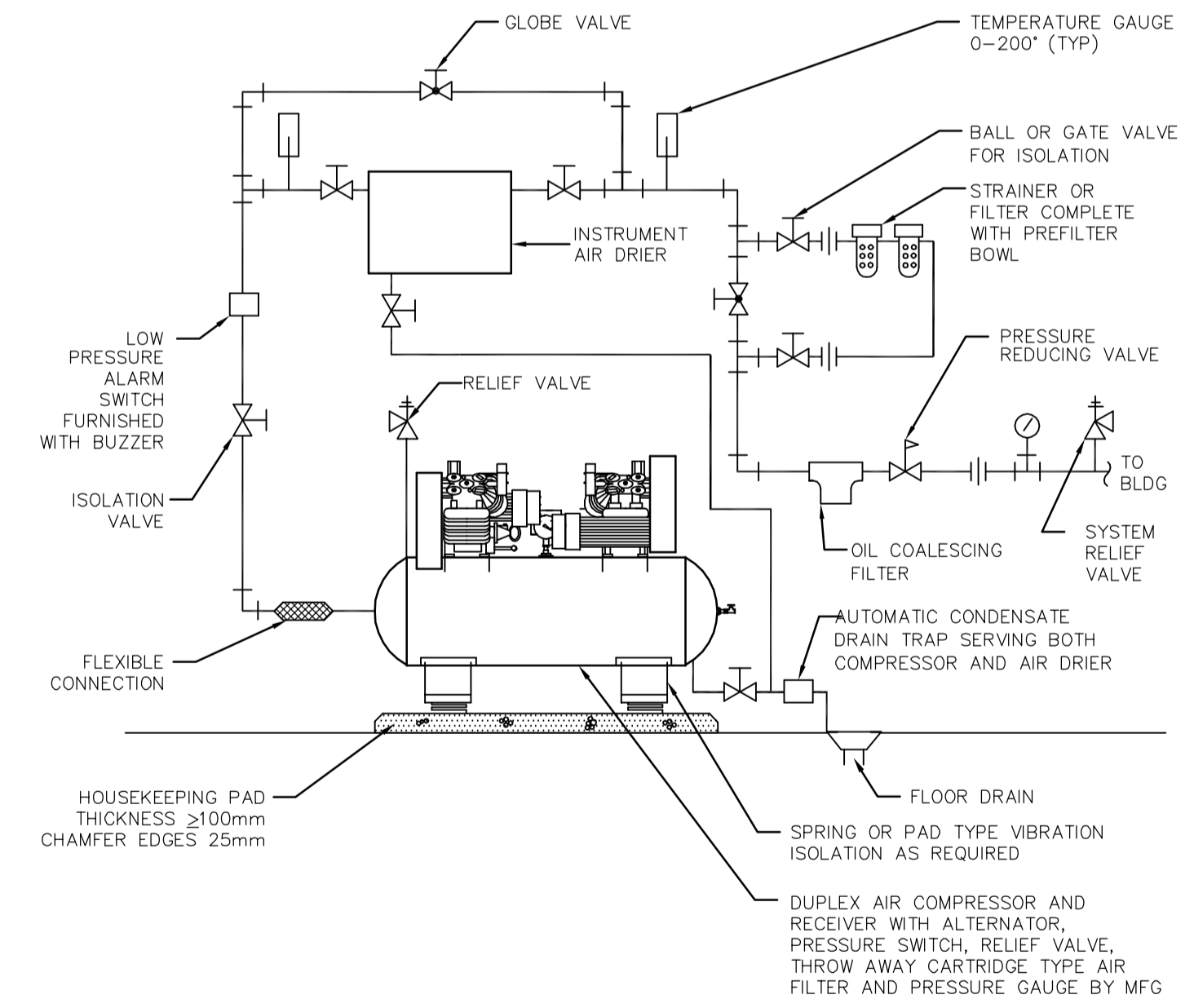
2 ACCESS DOOR - ROUND DUCT  
LM3.02 SCALE N.T.S.



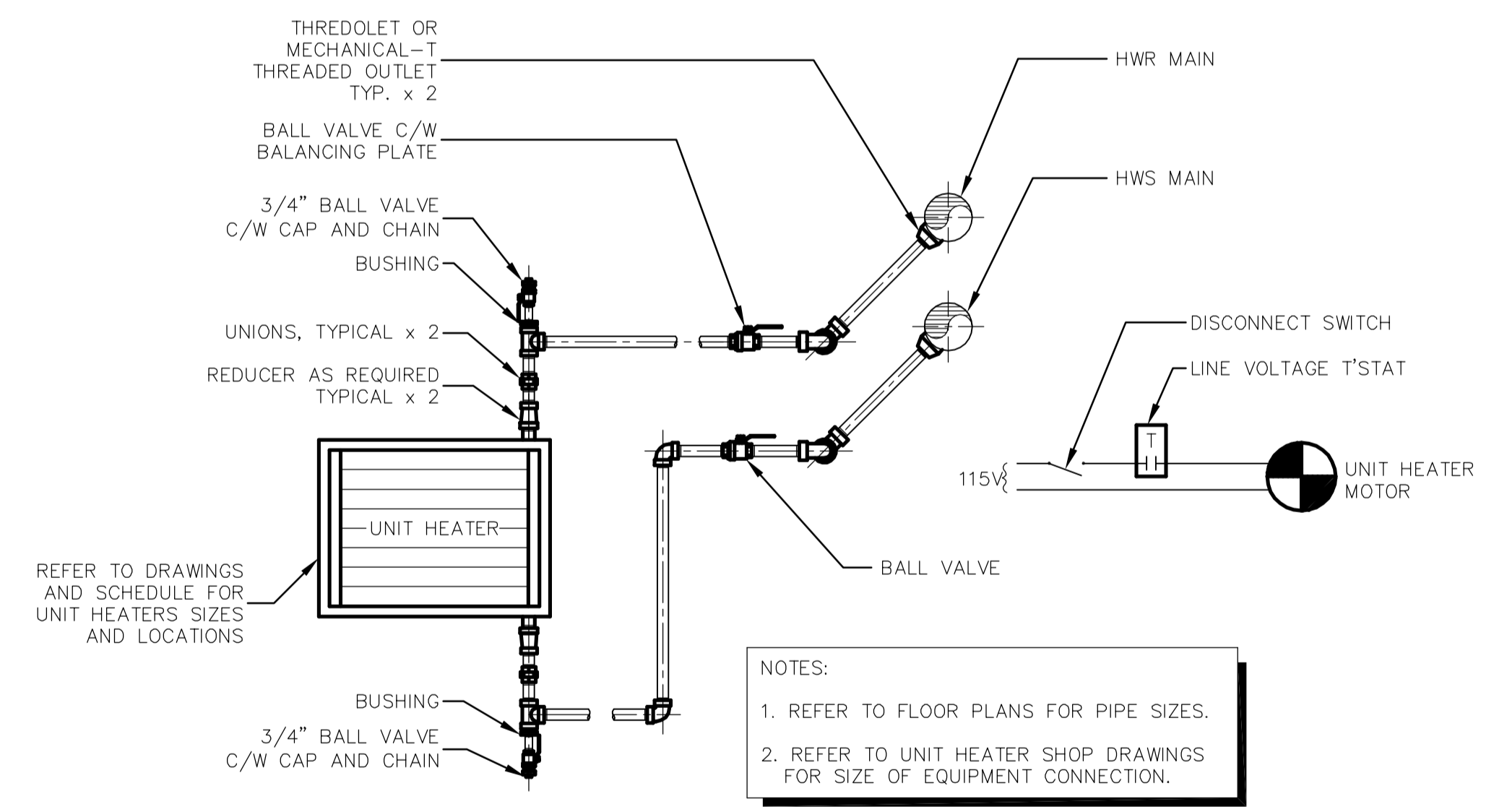
3 FLEXIBLE DUCT FAN CONNECTION DETAIL  
LM3.02 SCALE N.T.S.



4 EXHAUST STACK DETAIL  
LM3.02 SCALE N.T.S.



5 AIR COMPRESSOR DETAIL  
LM3.02 SCALE N.T.S.



6 TYPICAL UNIT HEATER DETAIL  
LM3.02 SCALE N.T.S.



B.M. ELEV.	 A Tyco International Ltd. Company		ENGINEER'S SEAL
	DESIGNED BY	PT/DC	CHECKED BY
			PVL
	DRAWN BY	DC	APPROVED BY
			JEH
	HOR. SCALE:	N.T.S.	RELEASED FOR CONSTRUCTION BY:
	VERTICAL SCALE:		J. VEILLEUX
00 ISSUED FOR TENDER	06/04/26	DC	
NO. REVISIONS	DATE	BY	DATE
	2005/12/12		2006/04/26

ORIGINAL SIGNED BY	 THE CITY OF WINNIPEG WATER AND WASTE DEPARTMENT ENGINEERING DIVISION	
A. BURACHYNSKY	2006/04/26	
CONSULTANT DRAWING NO.	WEWPCC BIOLOGICAL NUTRIENT REMOVAL UPGRADE CONTRACT 3	CITY FILE NUMBER
LM3.02	MECHANICAL AREA L - GENERAL AND SITEWORKS VENTILATION STANDARD DETAILS	SHEET OF
		CITY DRAWING NUMBER