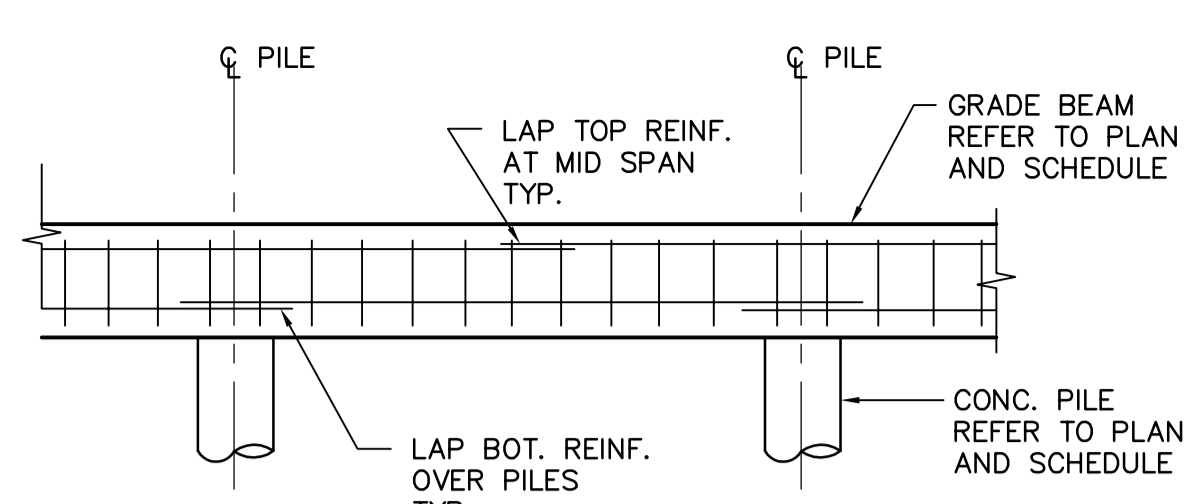
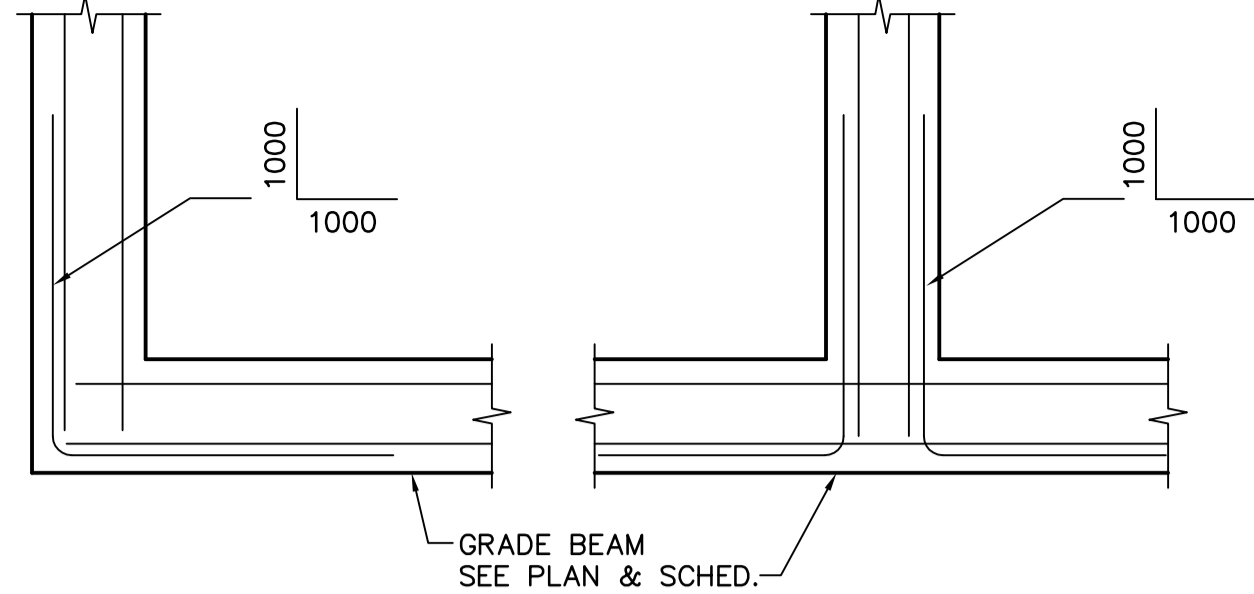


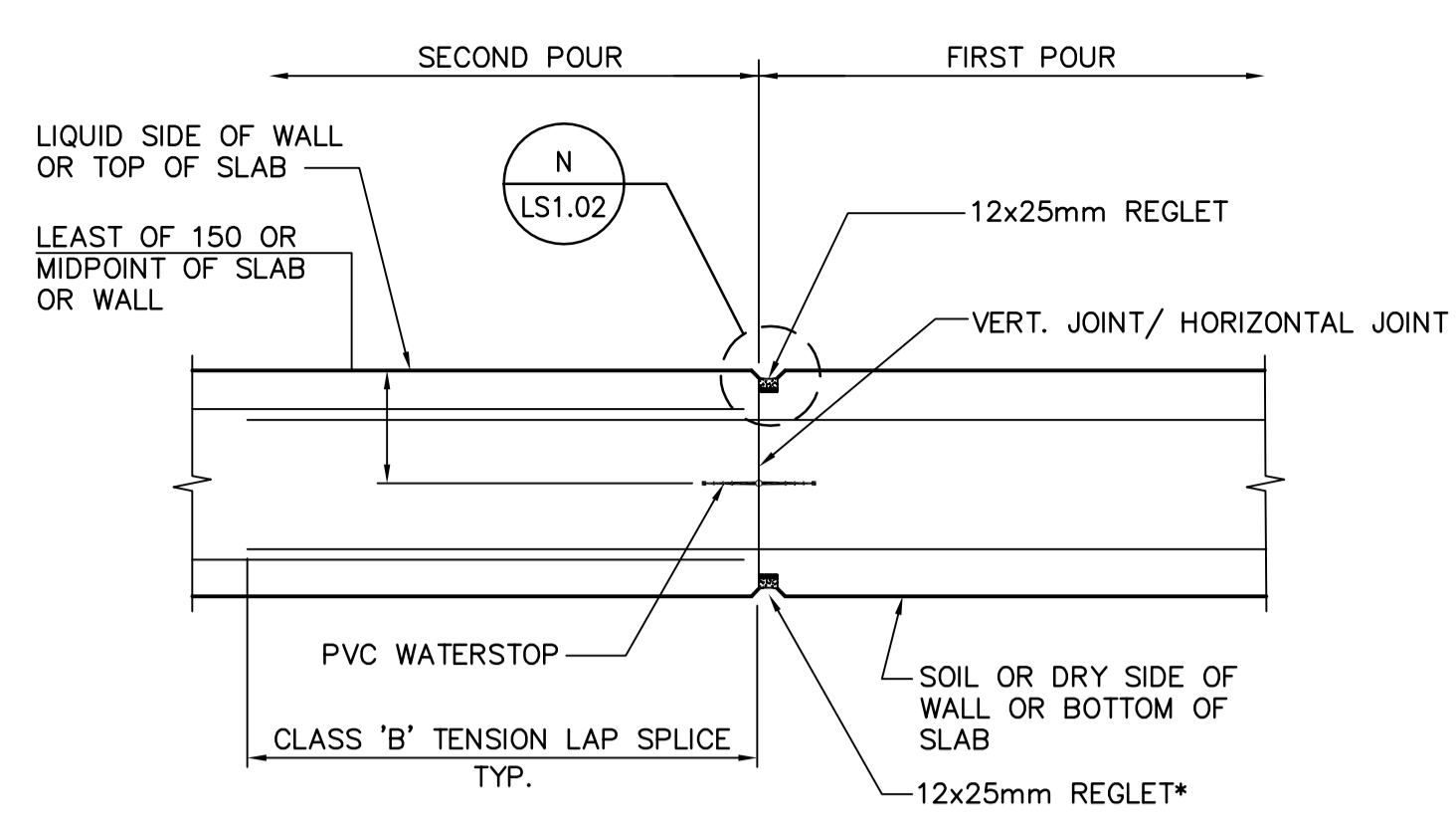
A TYPICAL PILE CAP DETAIL
STD 1:20



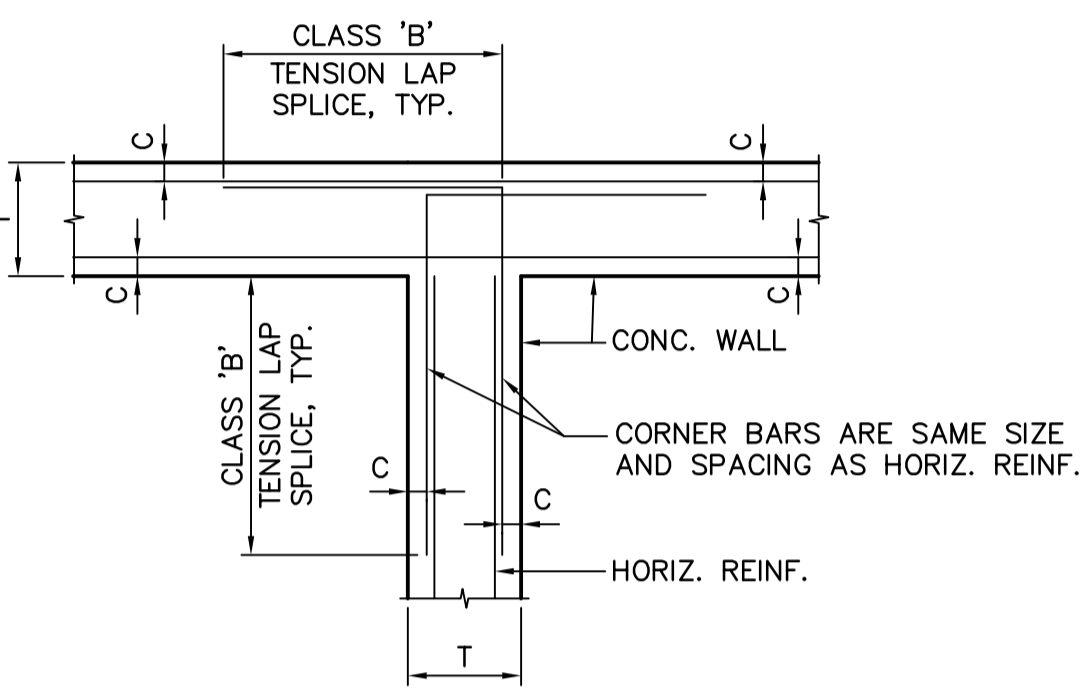
D GRADE BEAM SPLICE DETAIL
STD N.T.S.



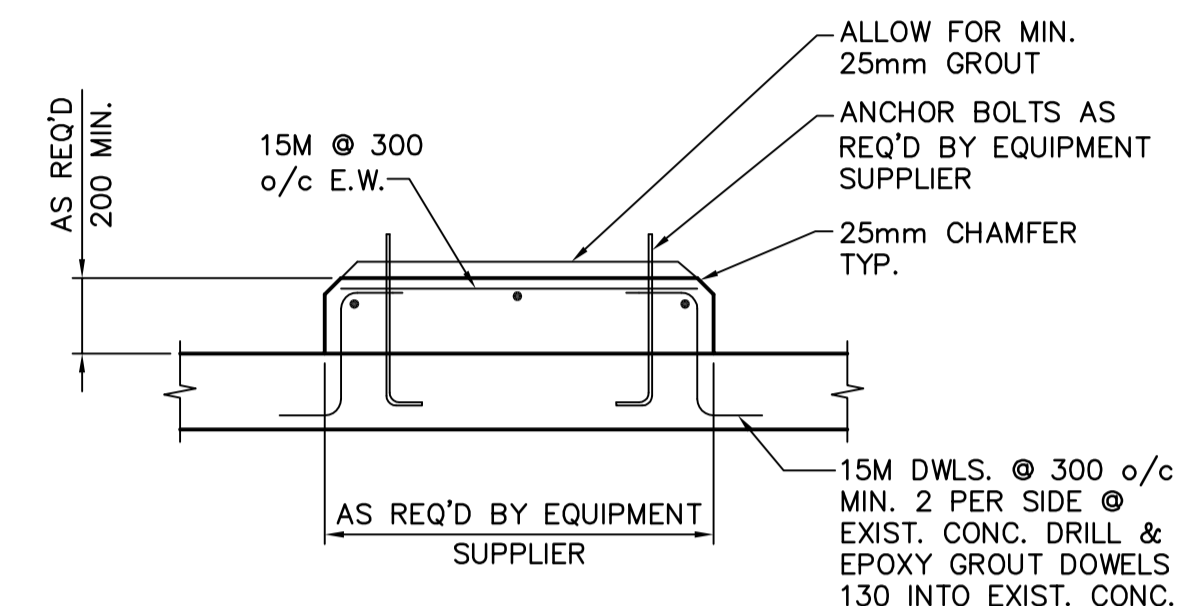
G TYPICAL GRADE BEAM CORNER REINFORCING DETAIL
STD N.T.S.
CORNER BARS SAME SIZE AND SPACING AS HORIZONTAL REINFORCING



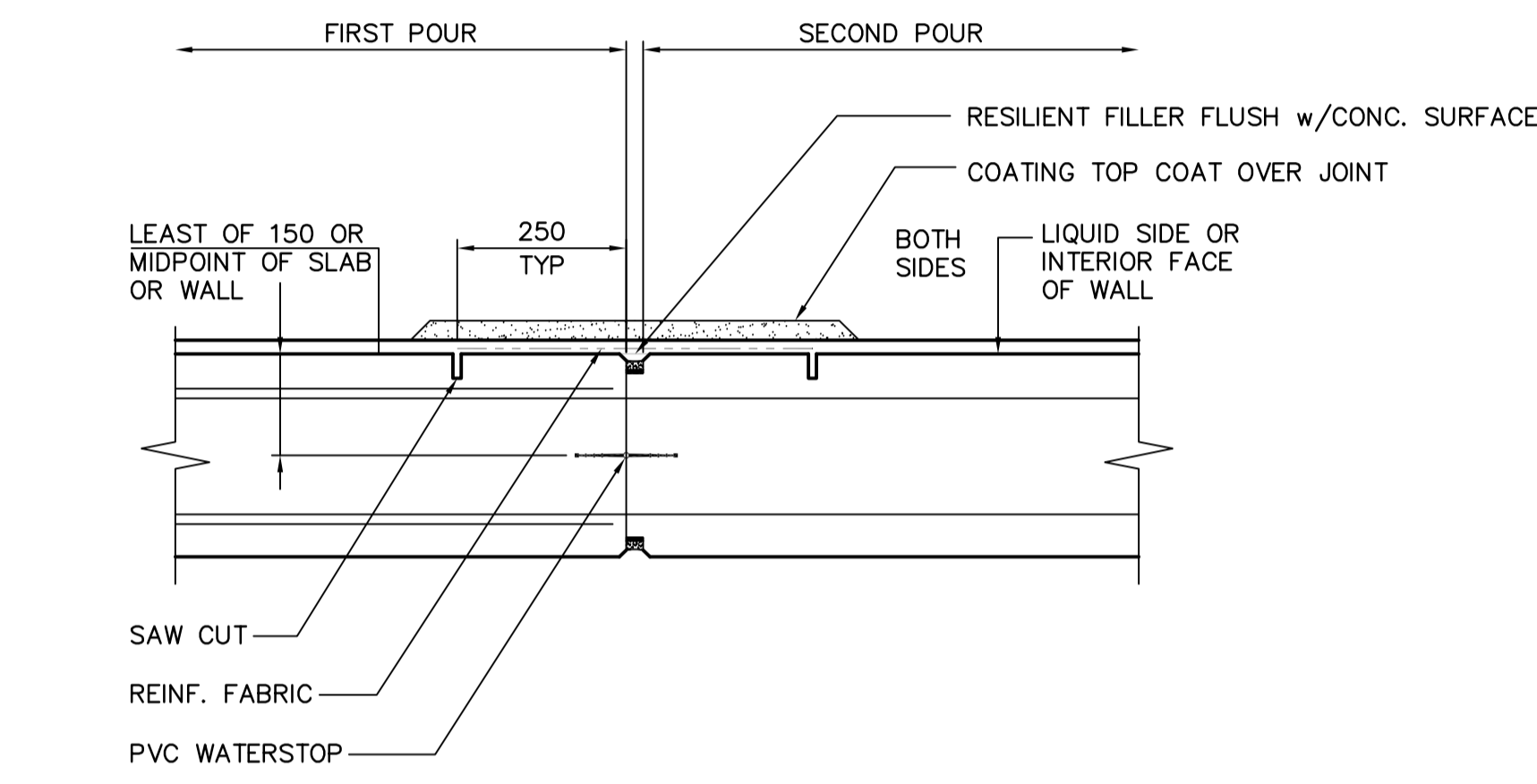
L TYPICAL WALL/SLAB CONSTRUCTION JOINT
STD N.T.S.
*NOT APPLICABLE FOR SLAB ON GRADE.
REINFORCING IN PERPENDICULAR DIRECTION NOT SHOWN.
REFER TO SPECIFIC SECTION FOR REINFORCING DETAILS.



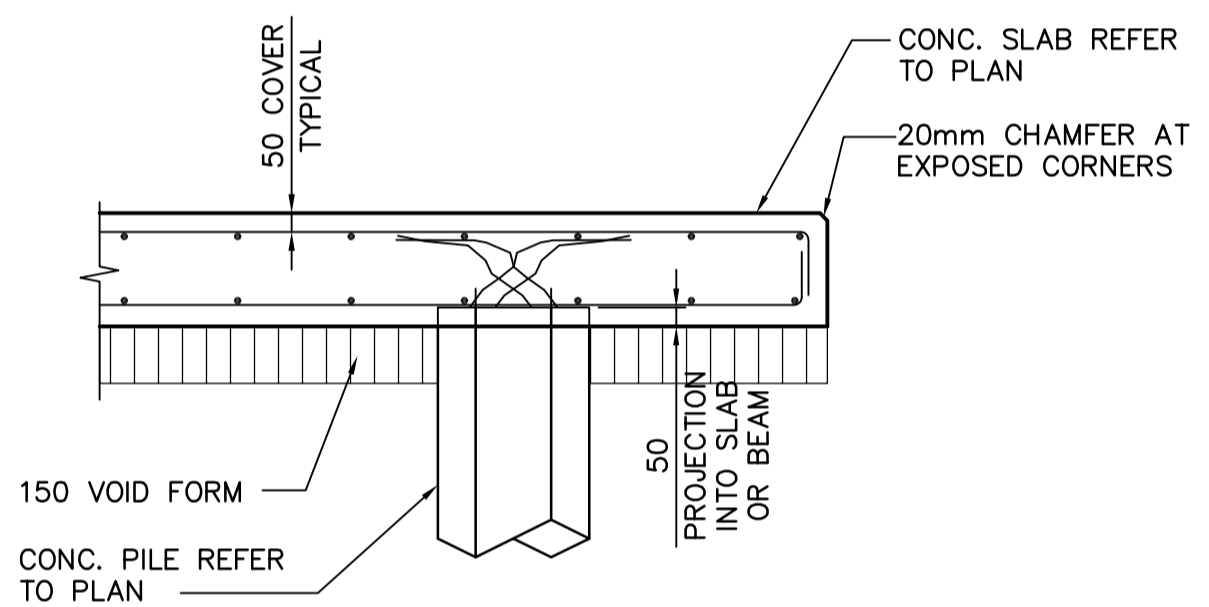
E WALL INTERSECTION REINFORCING DETAIL
STD 1:20
VERTICAL REINFORCING NOT SHOWN. REFER TO SPECIFIC SECTION FOR REINFORCING DETAILS.
C = CONC. COVER AS SPECIFIED
T = REFER TO SCHED.



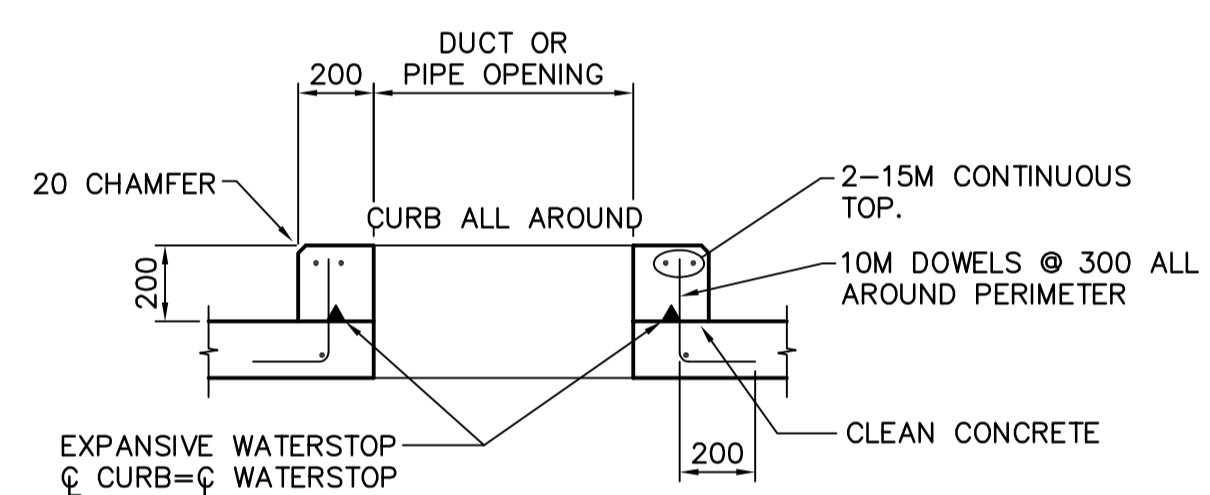
H HOUSE KEEPING PAD DETAIL
STD 1:20



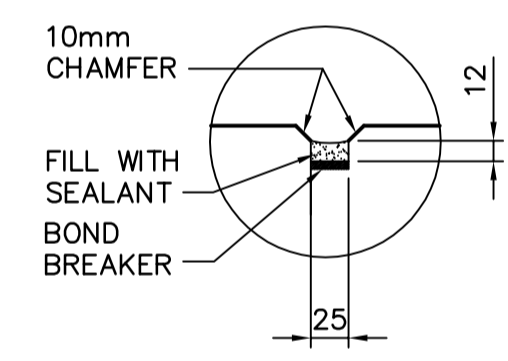
M TYPICAL WALL CONSTRUCTION JOINT WITH COATING
STD N.T.S.



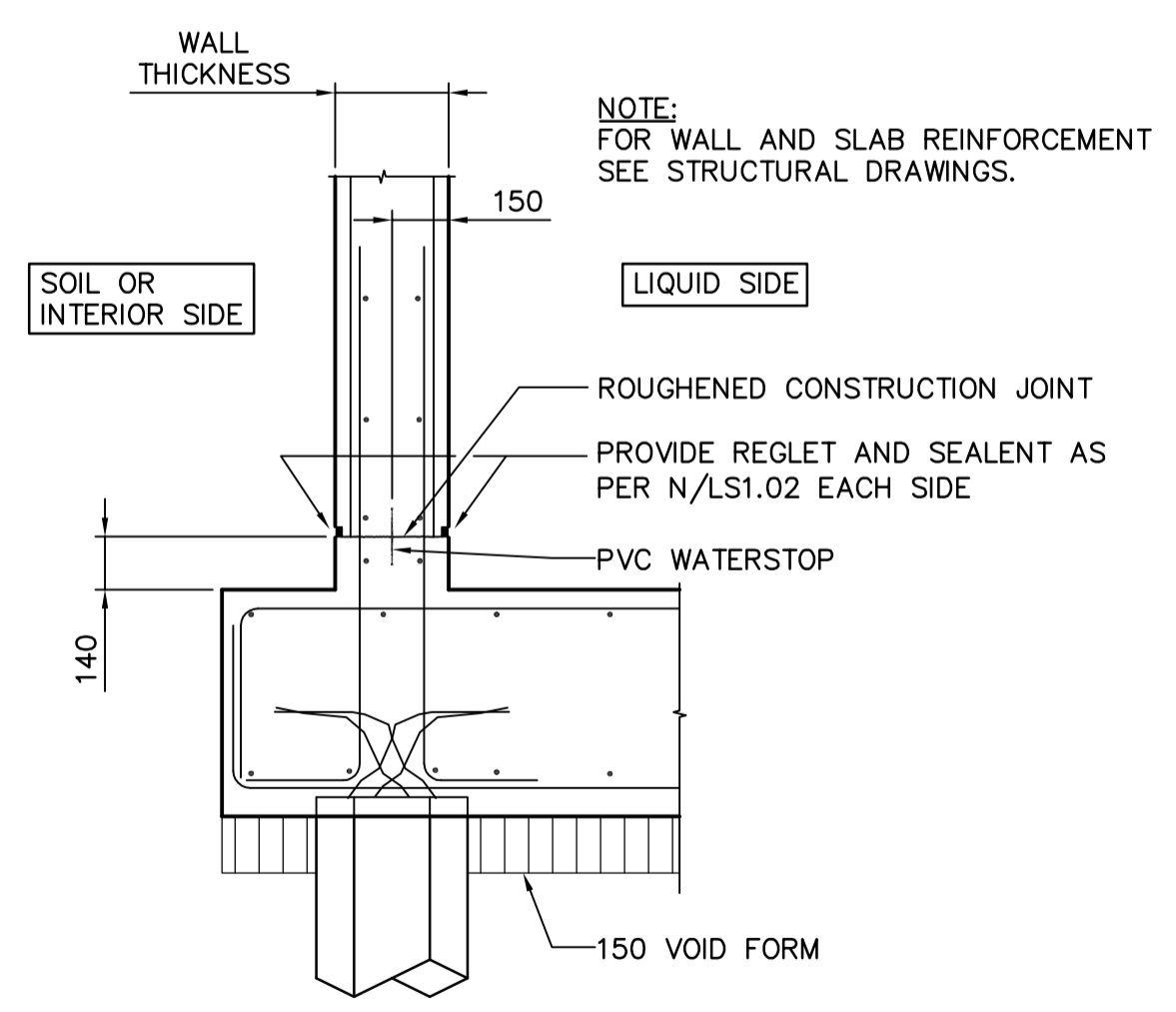
B PILE AT FLOOR SLAB/BEAM DETAIL
STD 1:20



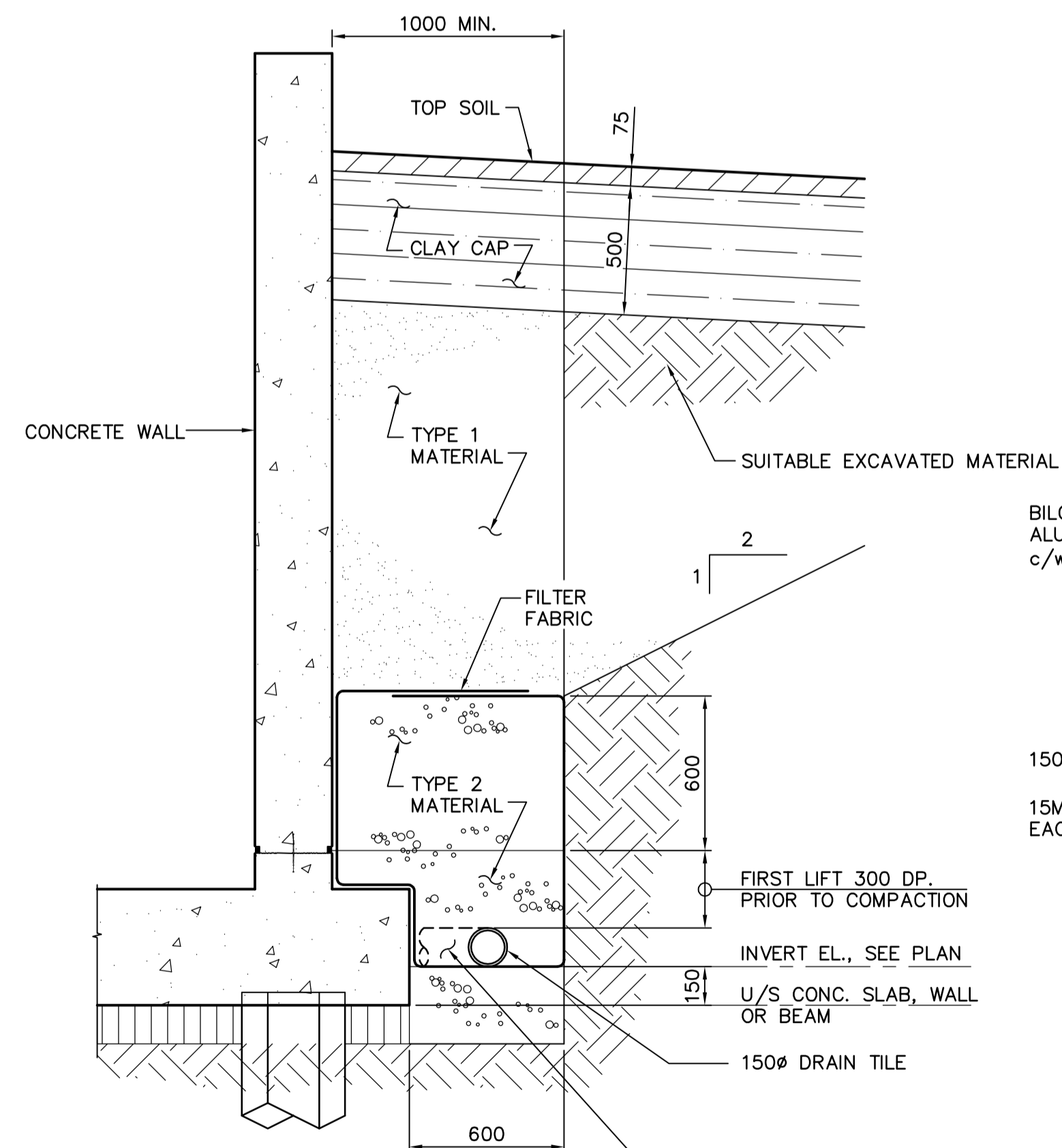
J CURB AROUND DUCT OR PIPE
STD 1:20



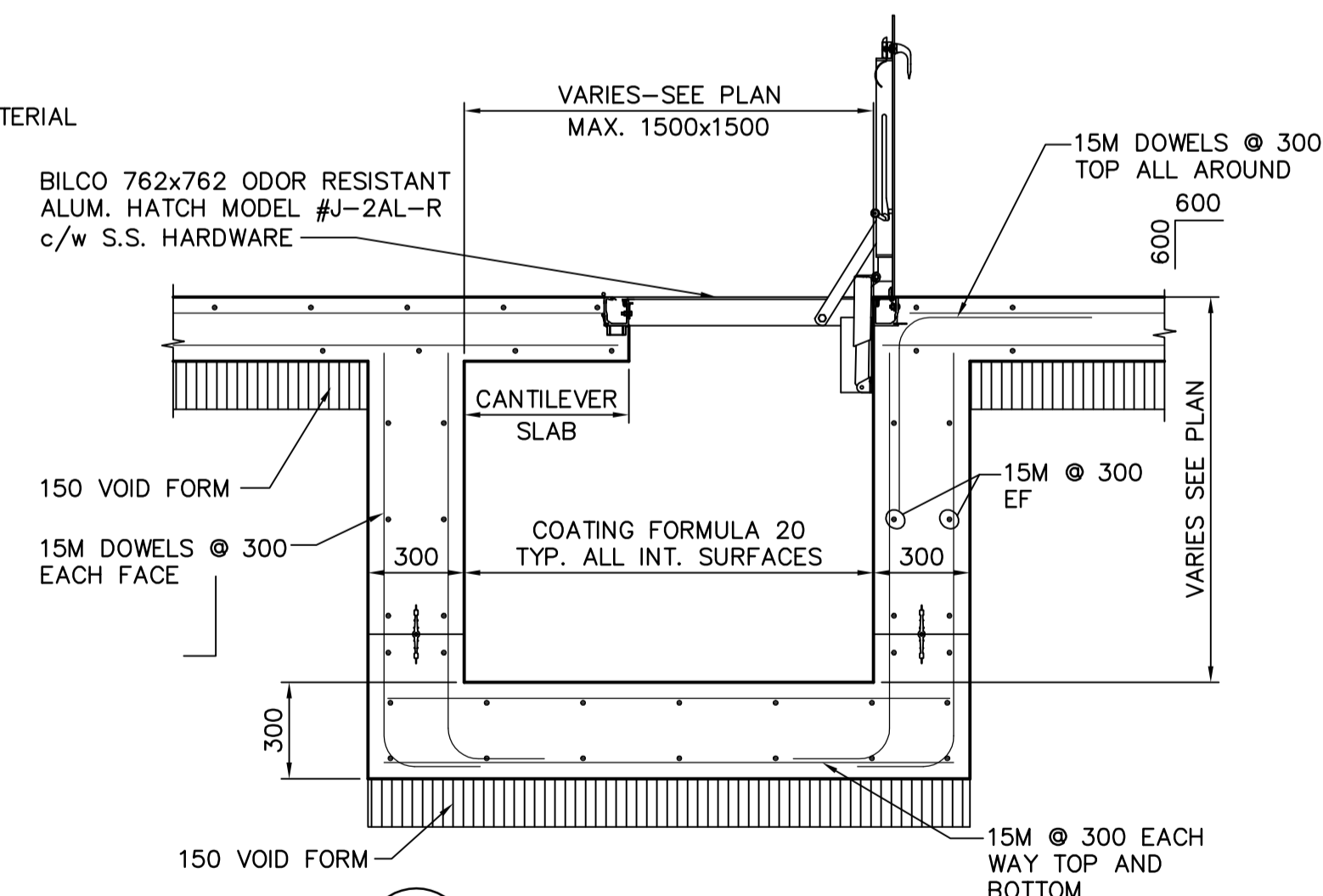
N JOINT SEALANT DETAIL
STD 1:5



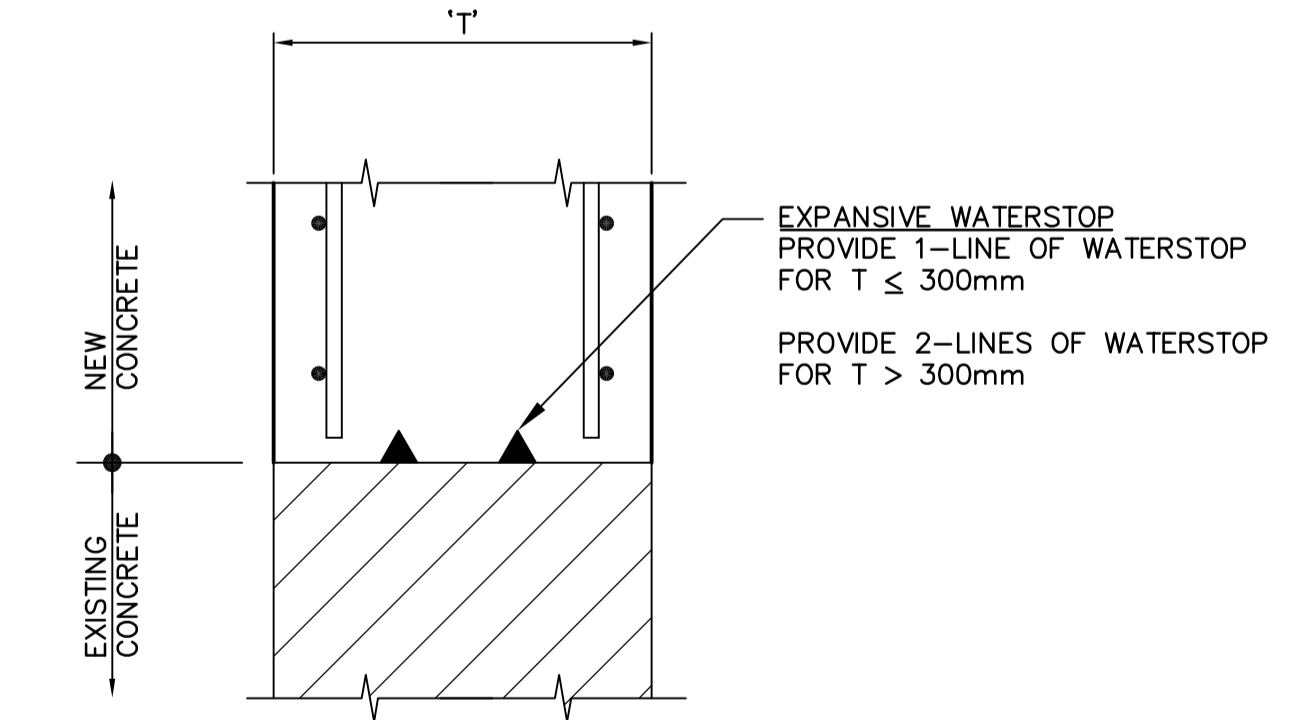
C TYPICAL CONSTRUCTION JOINT FOR TANK WALL TO TANK BASE SLAB
STD 1:20



F TYPICAL BACKFILL AND DRAIN TILE DETAIL
STD 1:20



K TYPICAL SUMP PIT DETAIL
STD 1:20



P EXPANSIVE WATERSTOP DETAIL
STD N.T.S.

APEGM
Certificate of Authorization
Earth Tech Canada Inc.
No. 730 Expiry: April 30, 2006

B.M. ELEV.		EarthTech A Tyco International Ltd. Company		ENGINEER'S SEAL	
DESIGNED BY	ARA	CHECKED BY		ORIGINAL SIGNED BY	J. BETKE
DRAWN BY	NDH	APPROVED BY	JEH	DATE	2006/04/26
HOR. SCALE:		RELEASED FOR CONSTRUCTION BY:	J. VEILLEUX	CONSULTANT DRAWING NO.	LS1.02
VERTICAL SCALE:		DATE	2006/04/26		
ISSUED FOR TENDER	06/04/26	NO. REVISIONS			
DATE	2006/04/26	BY			

THE CITY OF WINNIPEG
WATER AND WASTE DEPARTMENT
ENGINEERING DIVISION

WEWPCC
BIOLOGICAL NUTRIENT REMOVAL UPGRADE
CONTRACT 3

STRUCTURAL
AREA L - GENERAL AND SITWORKS
STANDARD DETAILS

CITY FILE NUMBER
SHEET OF
CITY DRAWING NUMBER