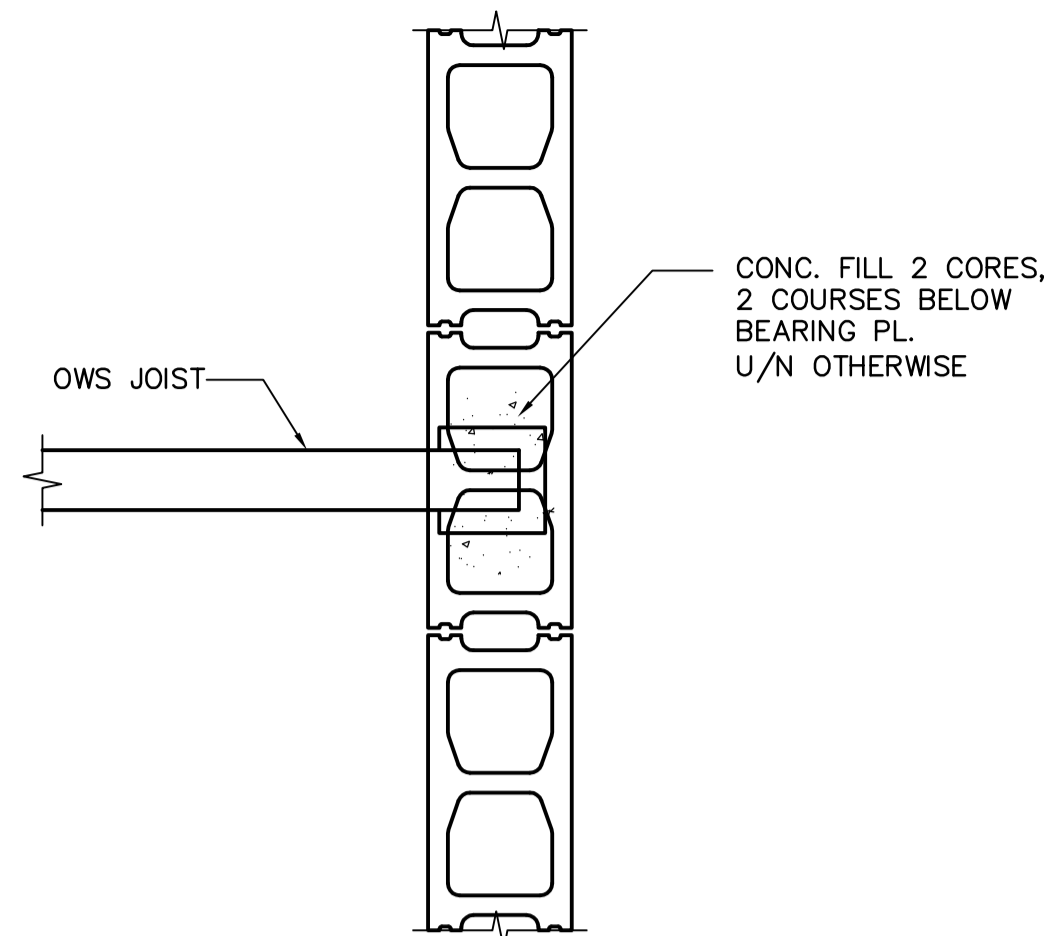
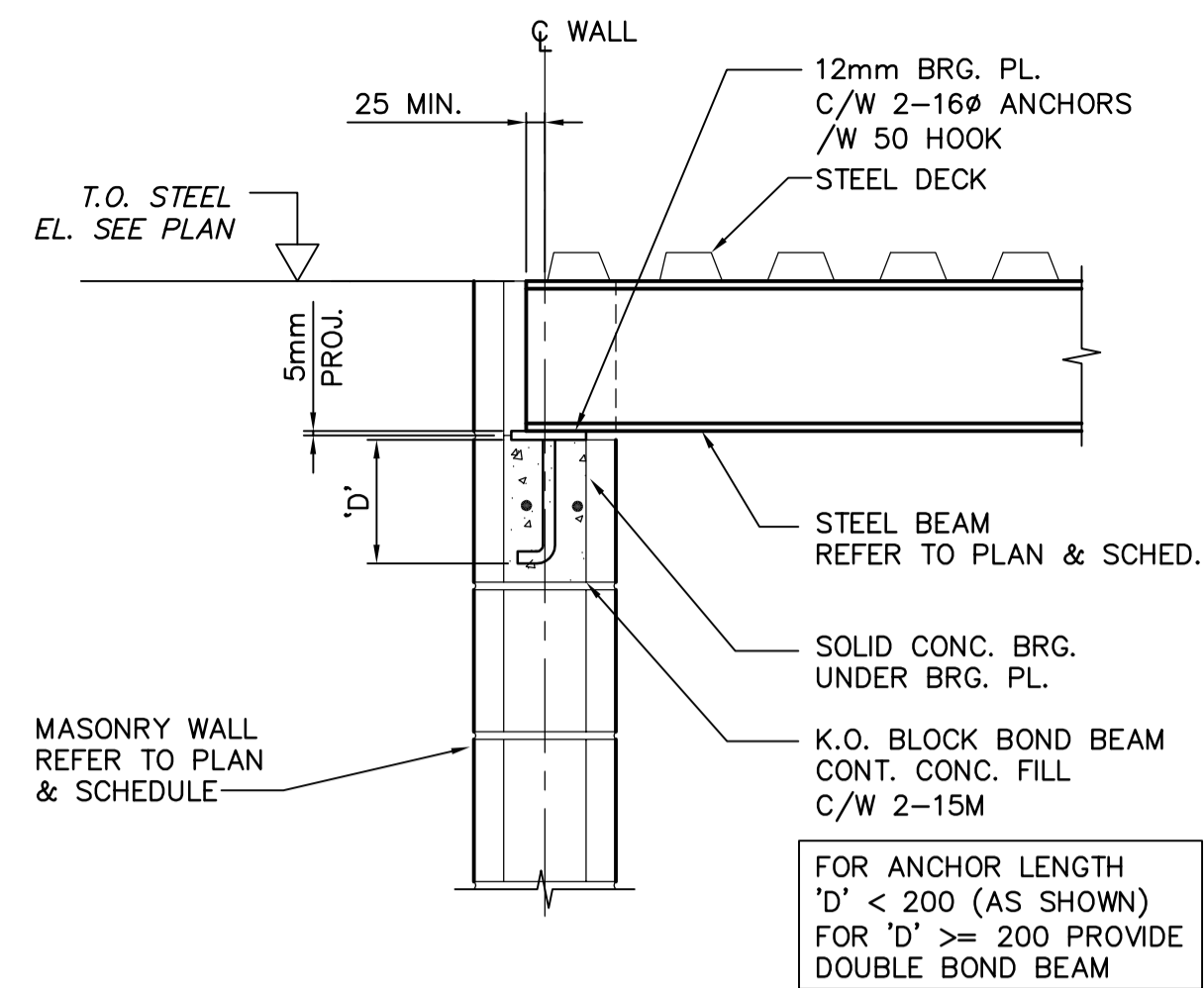


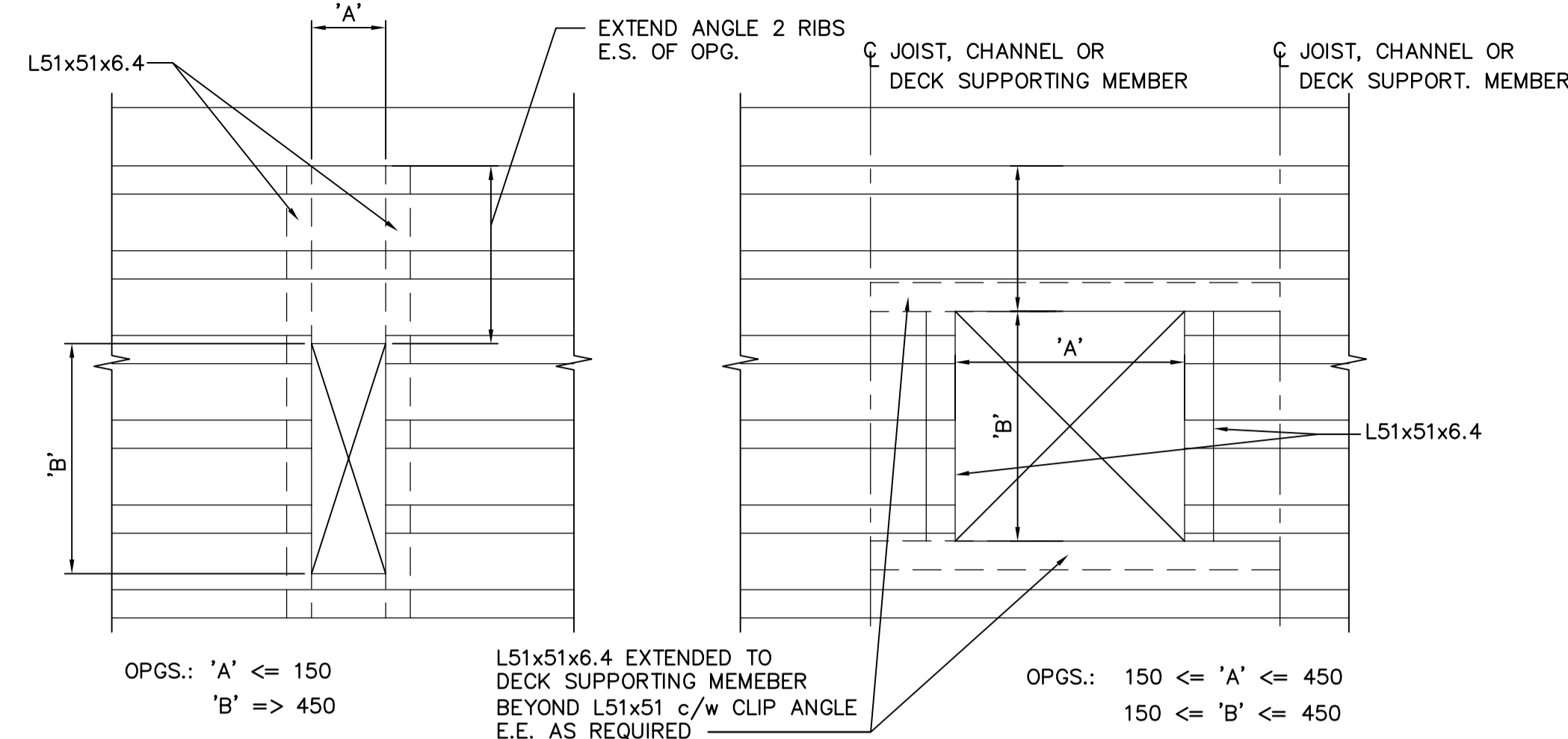
**A** OWSJ TO MASONRY WALL CONNECTION DETAIL  
STD 1:10



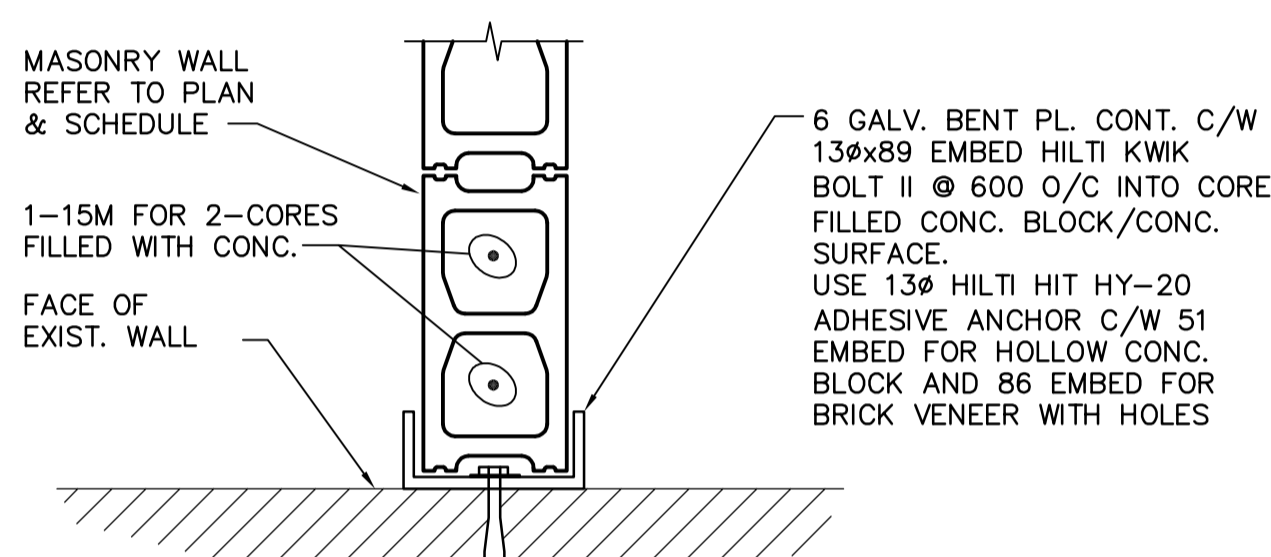
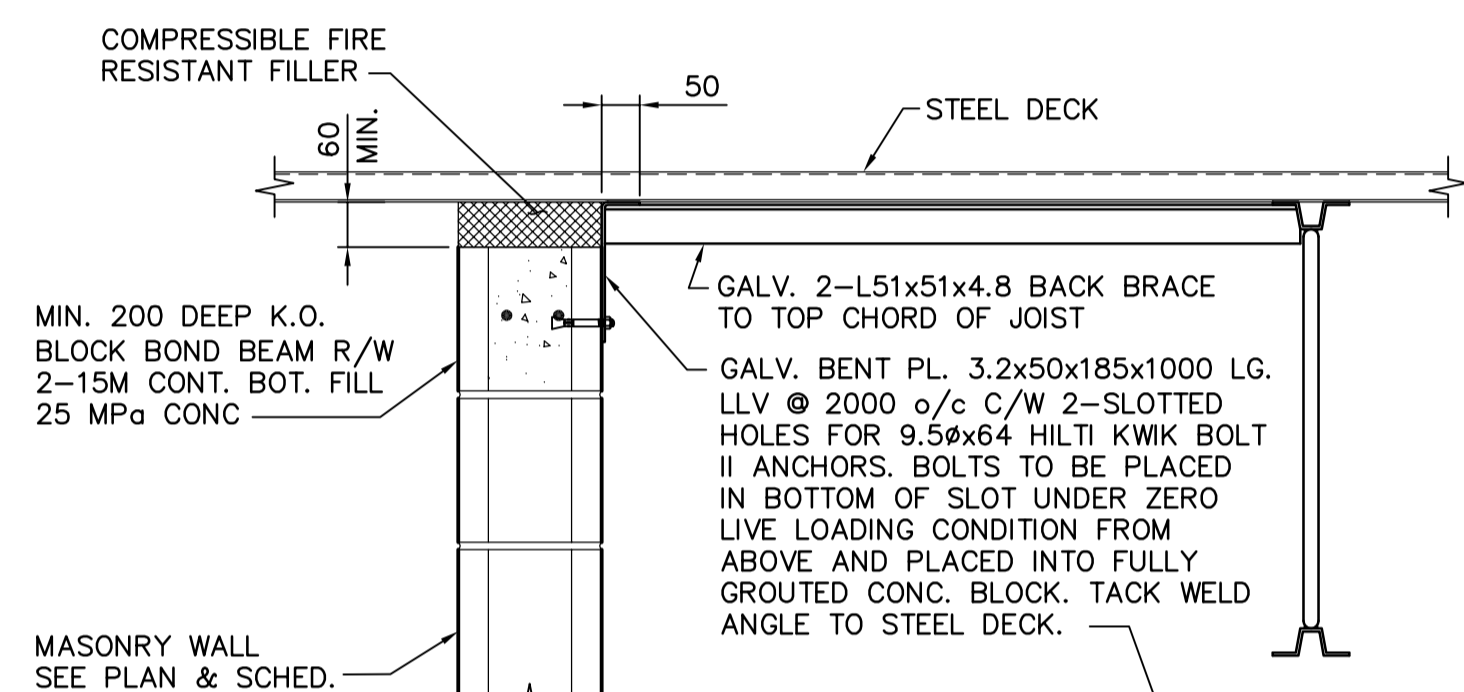
**B** TYPICAL MASONRY COREFILL DETAIL BELOW JOIST BEARING PLATE  
STD 1:10



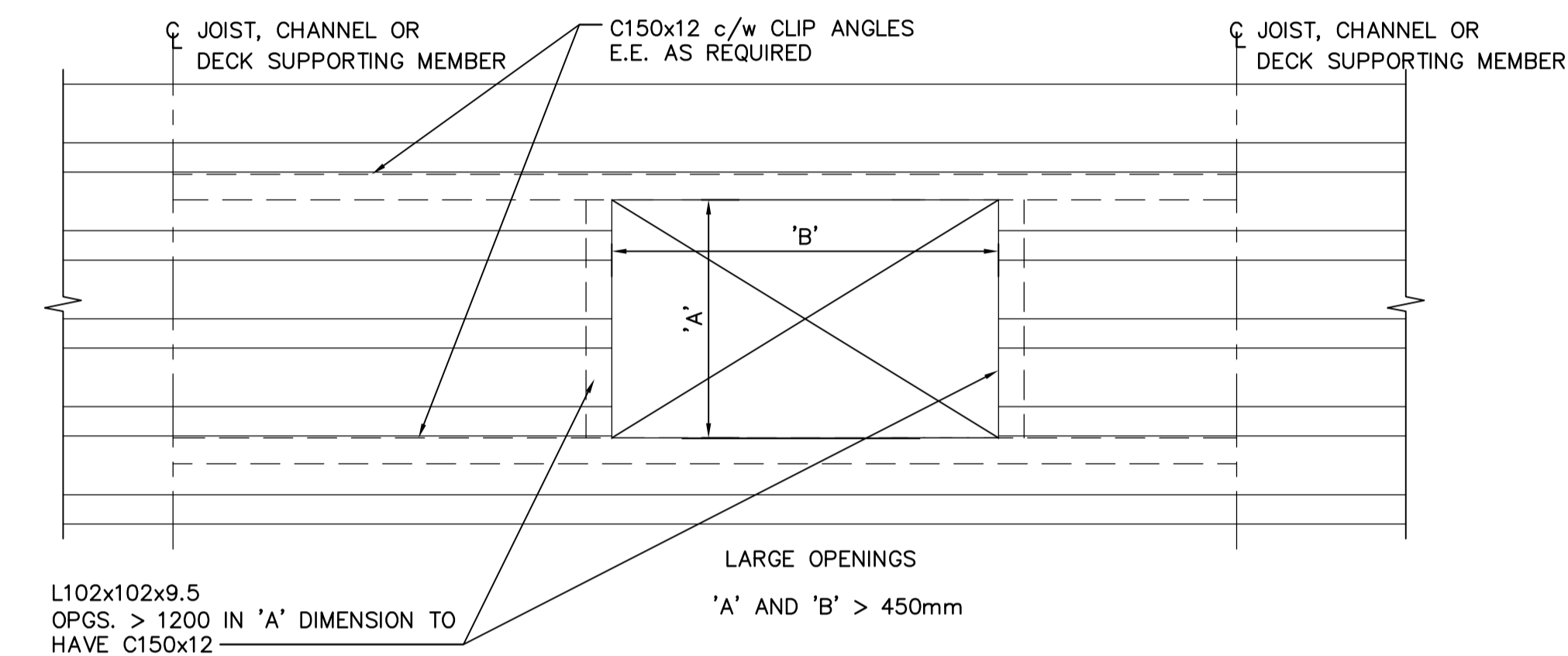
**C** STEEL BEAM BEARING ON MASONRY WALL (CONCRETE SIMILAR)  
STD 1:10



**D** TOP OF MASONRY WALL RESTRAINT  
STD 1:10

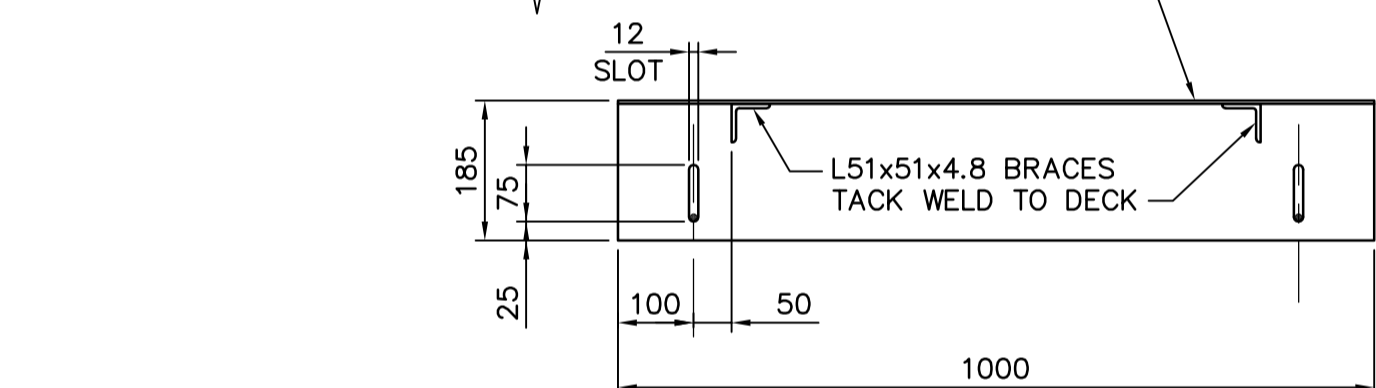


**F** TYPICAL STEEL ROOF DECK SUPPORT AT MASONRY WALL DETAIL  
STD 1:10



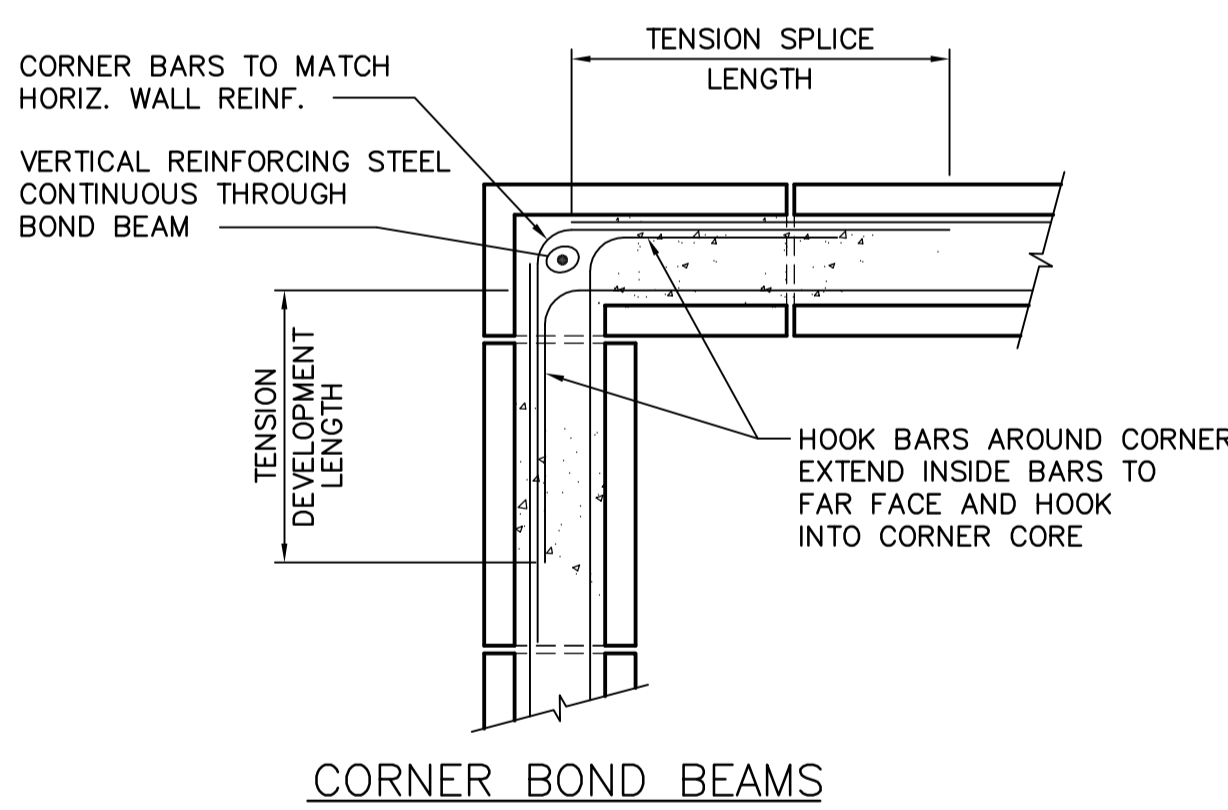
NOTES:  
1. FOR OPENINGS SIZE AND LOCATIONS SEE OTHER DRAWINGS.  
2. PROVIDE SOLID BLOCKING AS REQUIRED IN DECK FLUTES TO SUPPORT ROOF UNITS  
3. DECK ORIENTATION IN DETAIL IS DIAGRAMATIC. SEE PLAN FOR DECK ORIENTATION.

**G** TYPICAL FRAMING DETAILS FOR STEEL DECK OPENINGS  
STD N.T.S.

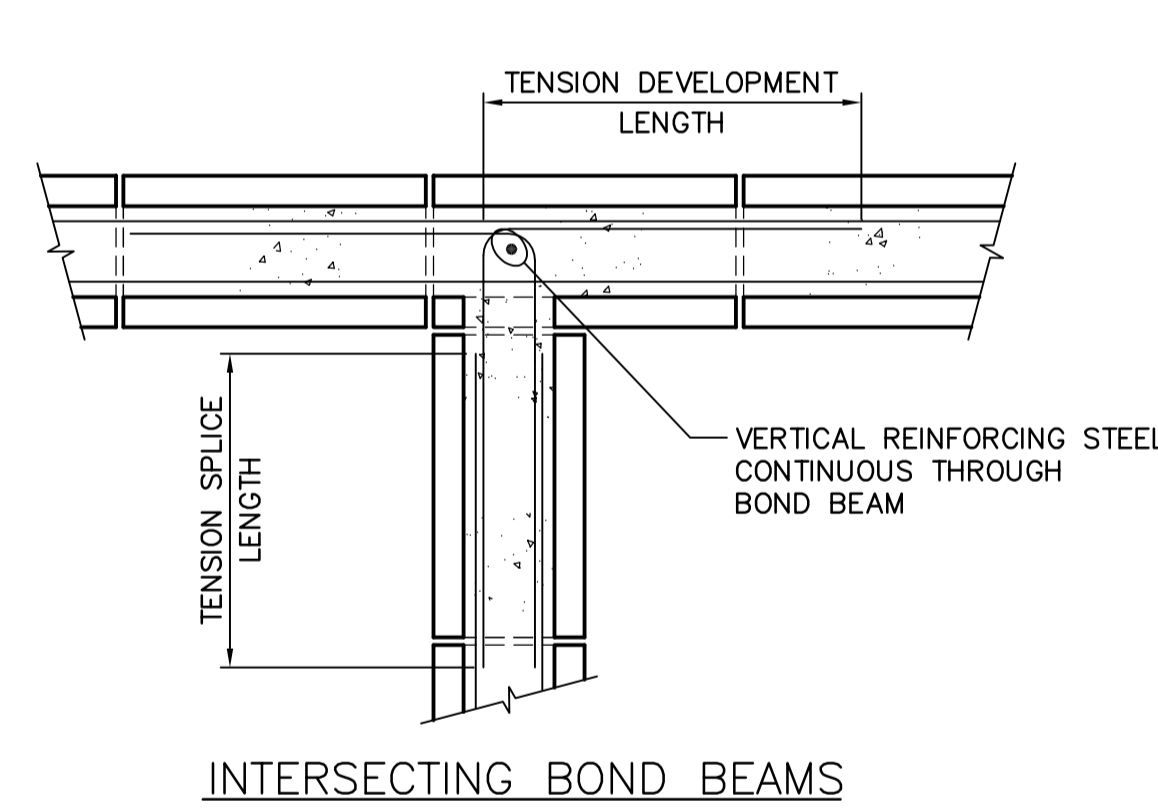


**H** TYPICAL MASONRY WALL DETAILS  
STD 1:10

**E** TYPICAL MASONRY WALL RESTRAINT AT EXISTING WALL DETAIL  
STD 1:10



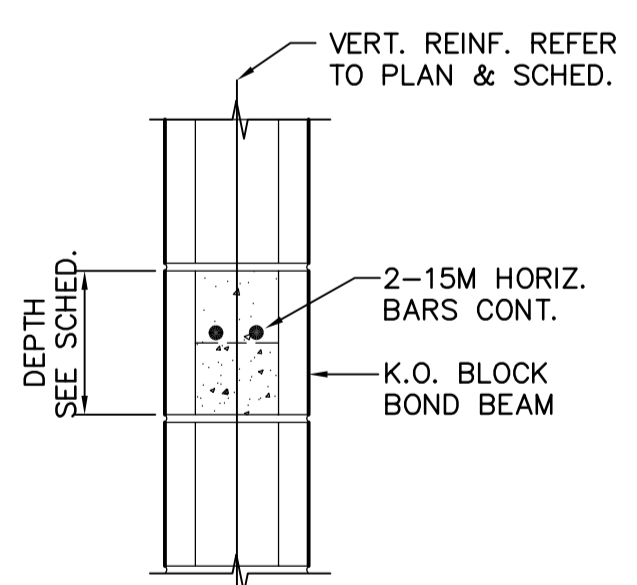
**I** CORNER BOND BEAMS



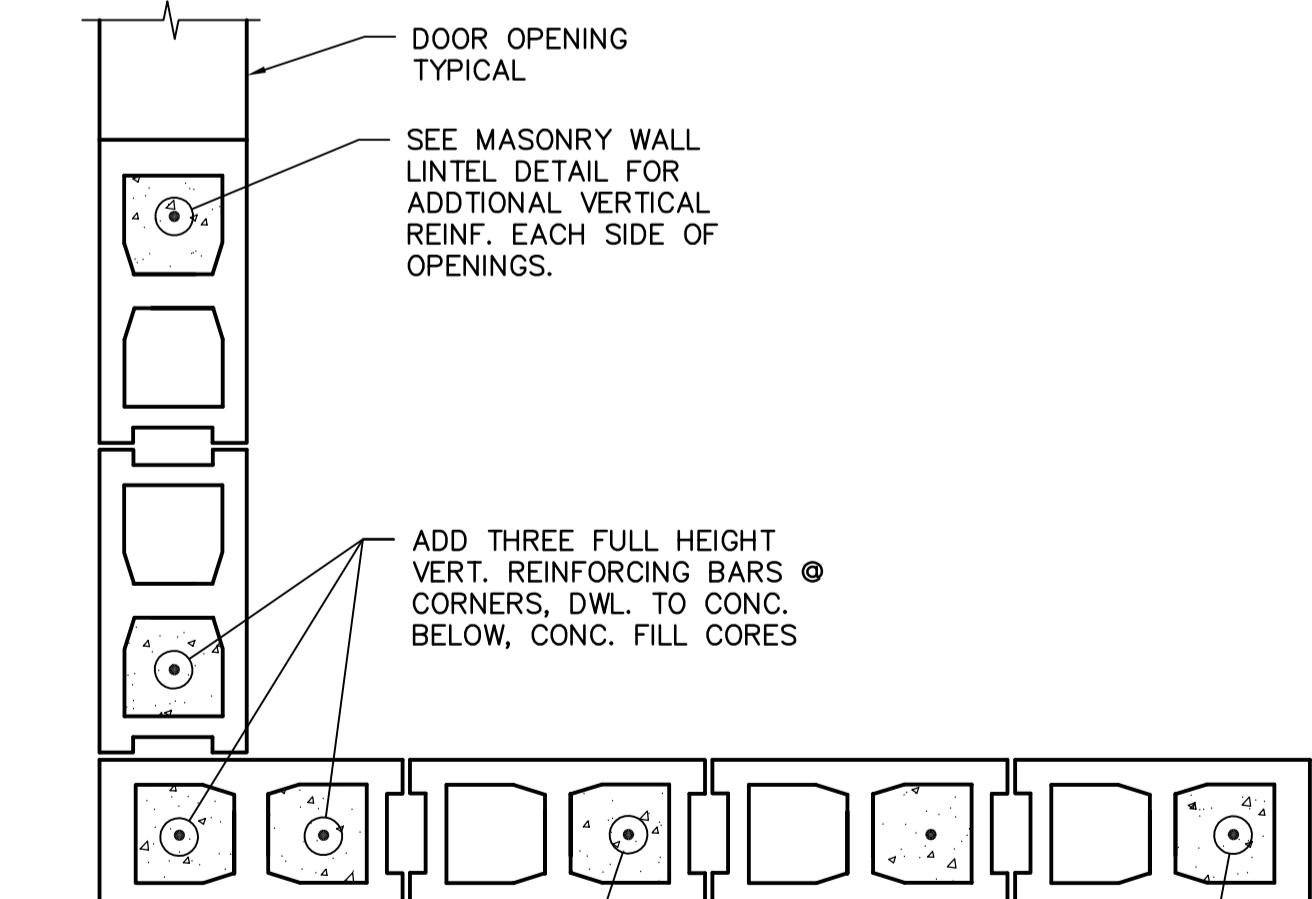
**J** INTERSECTING BOND BEAMS

**J** TYPICAL BOND BEAM DETAILS  
STD N.T.S.

NOTES:  
1. VERT. REINFORCING STEEL IN 190, 240 MASONRY WALL TO BE MIN. 15M.  
2. VERT. REINFORCING IN 290 MASONRY WALL TO BE MIN. 20M.



**K** TYPICAL BOND BEAM DETAIL  
STD 1:10



**L** TYPICAL MASONRY WALL DETAILS  
STD N.T.S.

NOTES:  
1. VERT. REINFORCING STEEL IN 190 & 240 MASONRY WALL TO BE MIN. 15M.  
2. VERT. REINFORCING STEEL IN 290 MASONRY WALL TO BE MIN. 20M.



B.M. ELEV.		<b>EarthTech</b> A Tyco International Ltd. Company		ENGINEER'S SEAL	
DESIGNED BY	ARA	CHECKED BY		ORIGINAL SIGNED BY	J. BETKE
DRAWN BY	NDH	APPROVED BY	JEH		2006/04/26
HOR. SCALE:		RELEASED FOR CONSTRUCTION BY:	J. VEILLEUX	CONSULTANT DRAWING NO.	LS1.04
VERT. SCALE:		DATE	2006/04/26	DATE	2006/04/26
NO. REVISIONS		DATE		DATE	
A	ISSUED FOR TENDER	06/04/26	KK		

**THE CITY OF WINNIPEG**  
WATER AND WASTE DEPARTMENT  
ENGINEERING DIVISION

**WEWPCC**  
BIOLOGICAL NUTRIENT REMOVAL UPGRADE  
CONTRACT 3

STRUCTURAL  
AREA L - GENERAL AND SITWORKS  
STANDARD DETAILS

CITY FILE NUMBER  
SHEET OF  
CITY DRAWING NUMBER