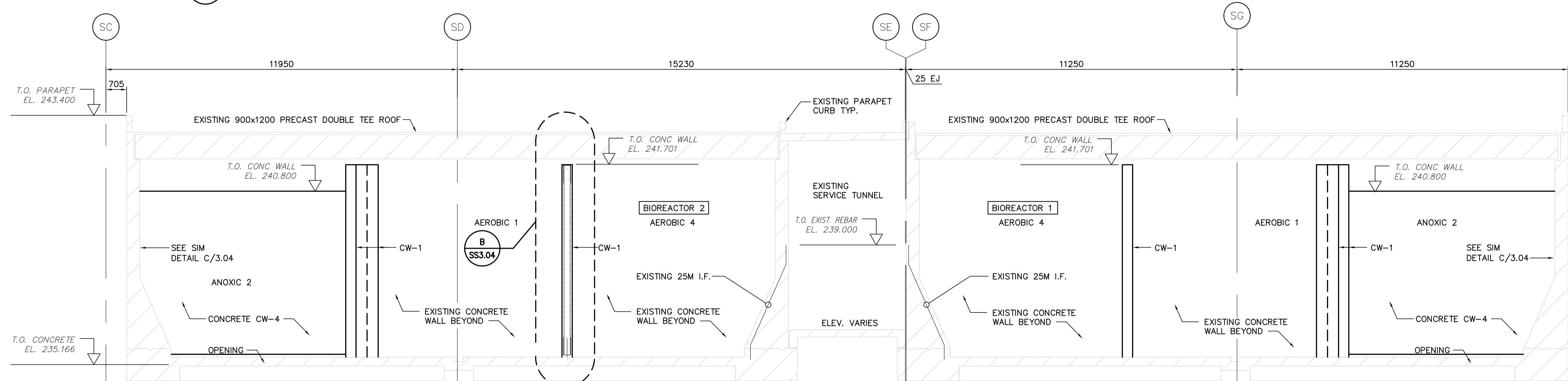
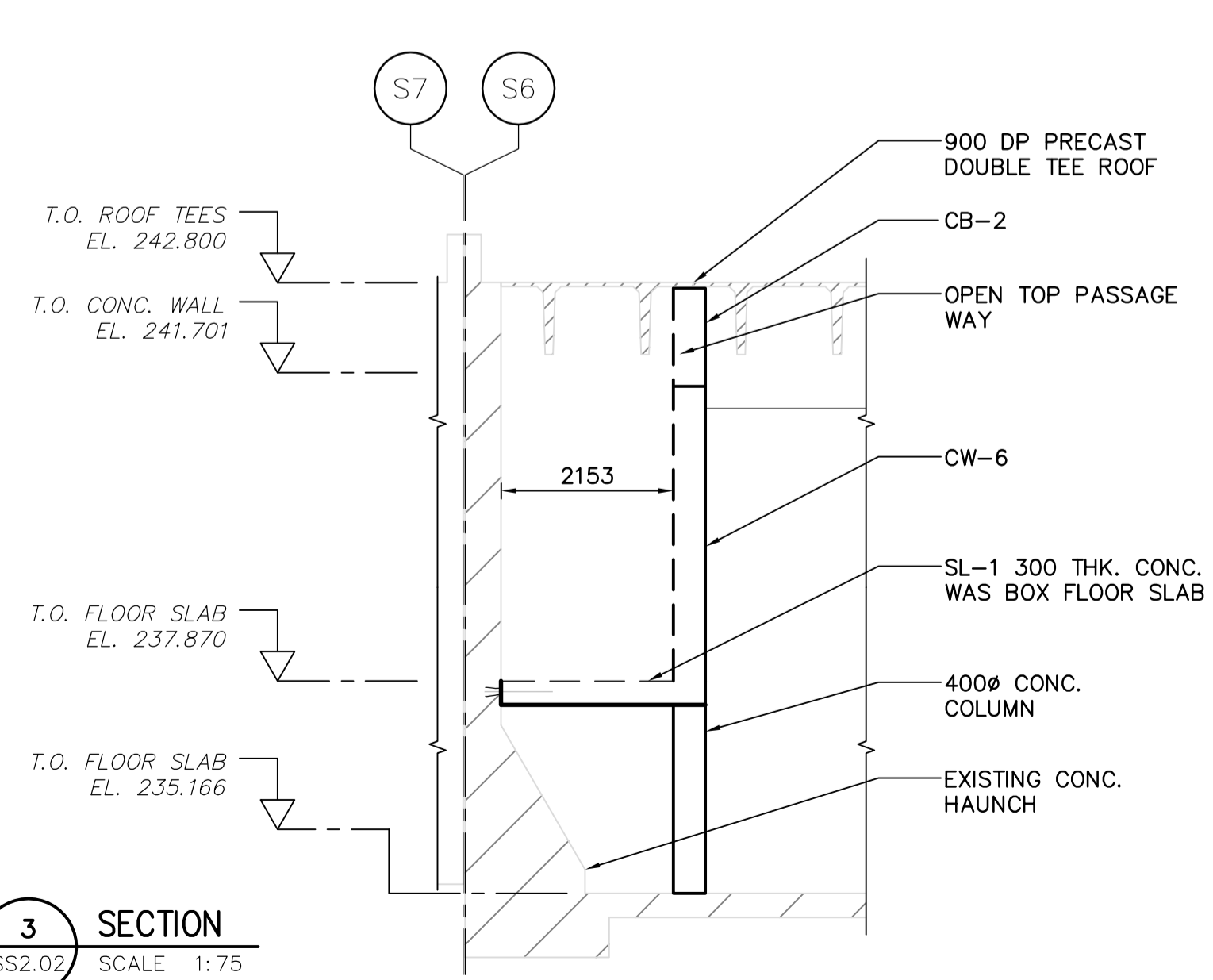


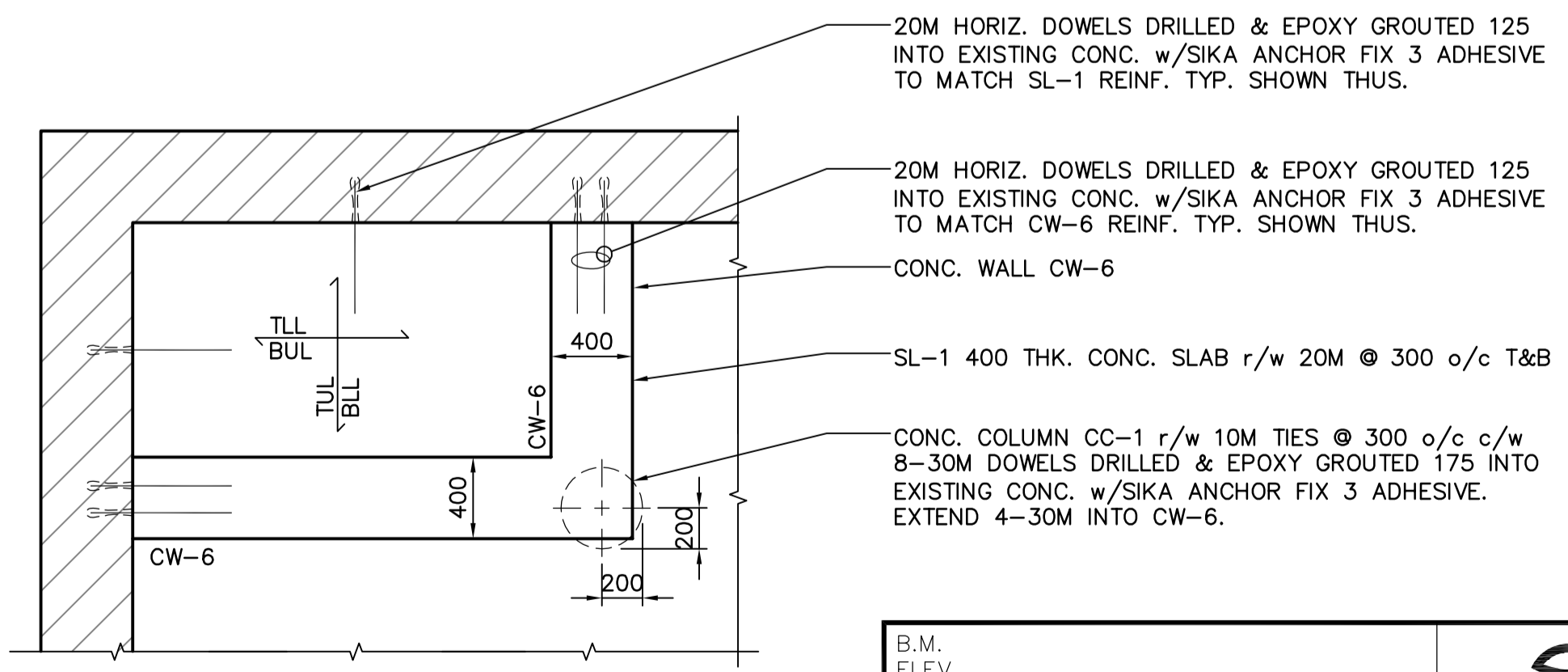
1 SECTION
SS2.01 SCALE 1:75



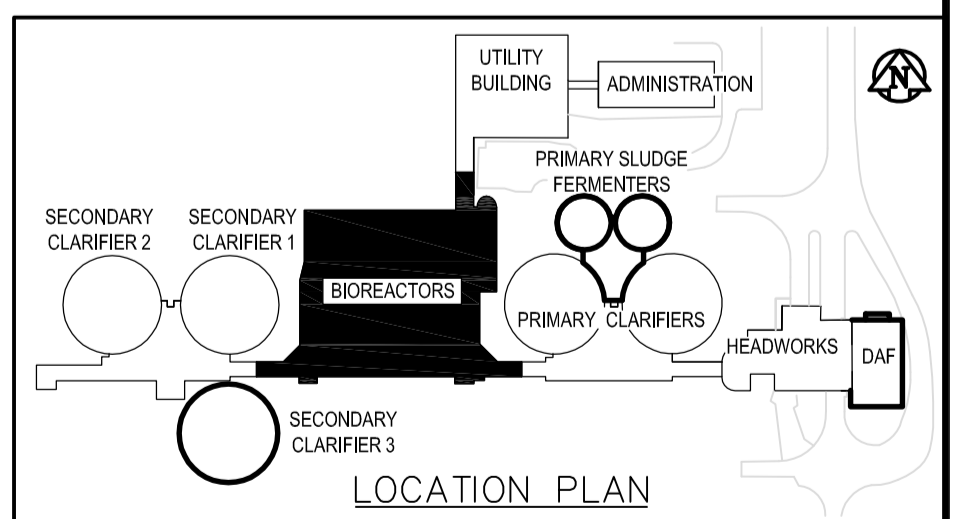
2 SECTION
SS2.01 SCALE 1:75



3 SECTION
SS2.02 SCALE 1:75



E DETAIL - PLAN VIEW
SS2.02 SCALE 1:30



APEGM
Certificate of Authorization
Earth Tech Canada Inc.
No. 730 Expiry: April 30, 2006

B.M. ELEV.		EarthTech A Tyco International Ltd. Company		ENGINEER'S SEAL	
DESIGNED BY	AA/JB	CHECKED BY	AA/JB	ORIGINAL SIGNED BY	J. BETKE
DRAWN BY	WDB	APPROVED BY	JEH	DATE	2006/04/26
HOR. SCALE:	AS NOTED	RELEASED FOR CONSTRUCTION BY:	J. VEILLEUX	CONSULTANT DRAWING NO.	SS3.03
VERTICAL SCALE:		DATE	2005/11/17		
ISSUED FOR TENDER	06/04/26	KK			
NO. REVISIONS		DATE	2005/11/17	DATE	2006/04/26

THE CITY OF WINNIPEG
WATER AND WASTE DEPARTMENT
ENGINEERING DIVISION

WEWPC
BIOLOGICAL NUTRIENT REMOVAL UPGRADE
CONTRACT 3

STRUCTURAL
AREA S - BIOREACTORS
BUILDING SECTIONS

CITY FILE NUMBER
SHEET OF
CITY DRAWING NUMBER