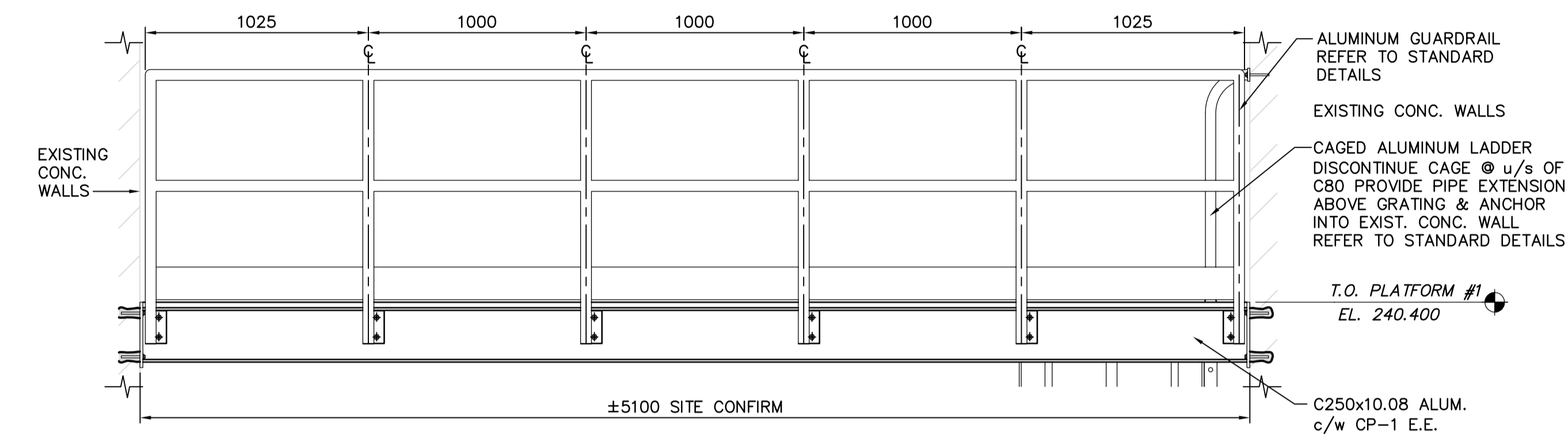
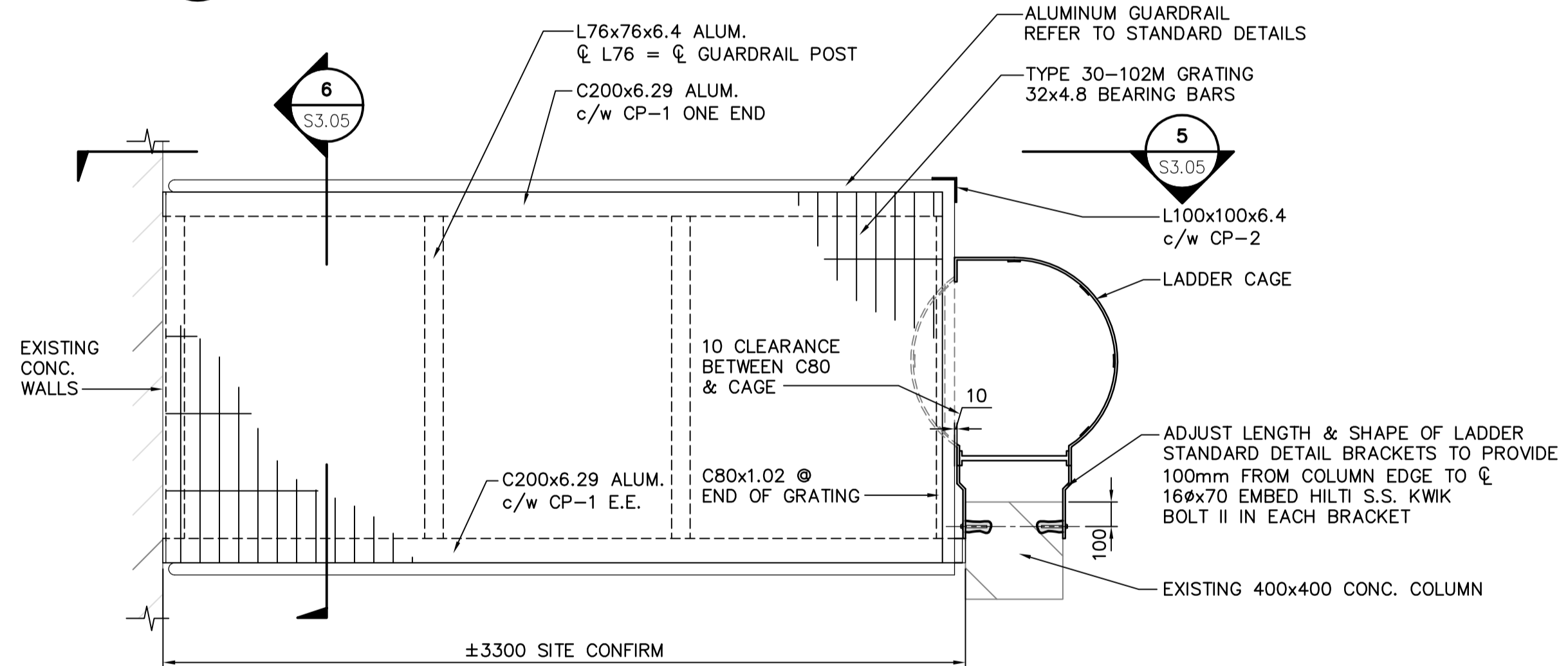


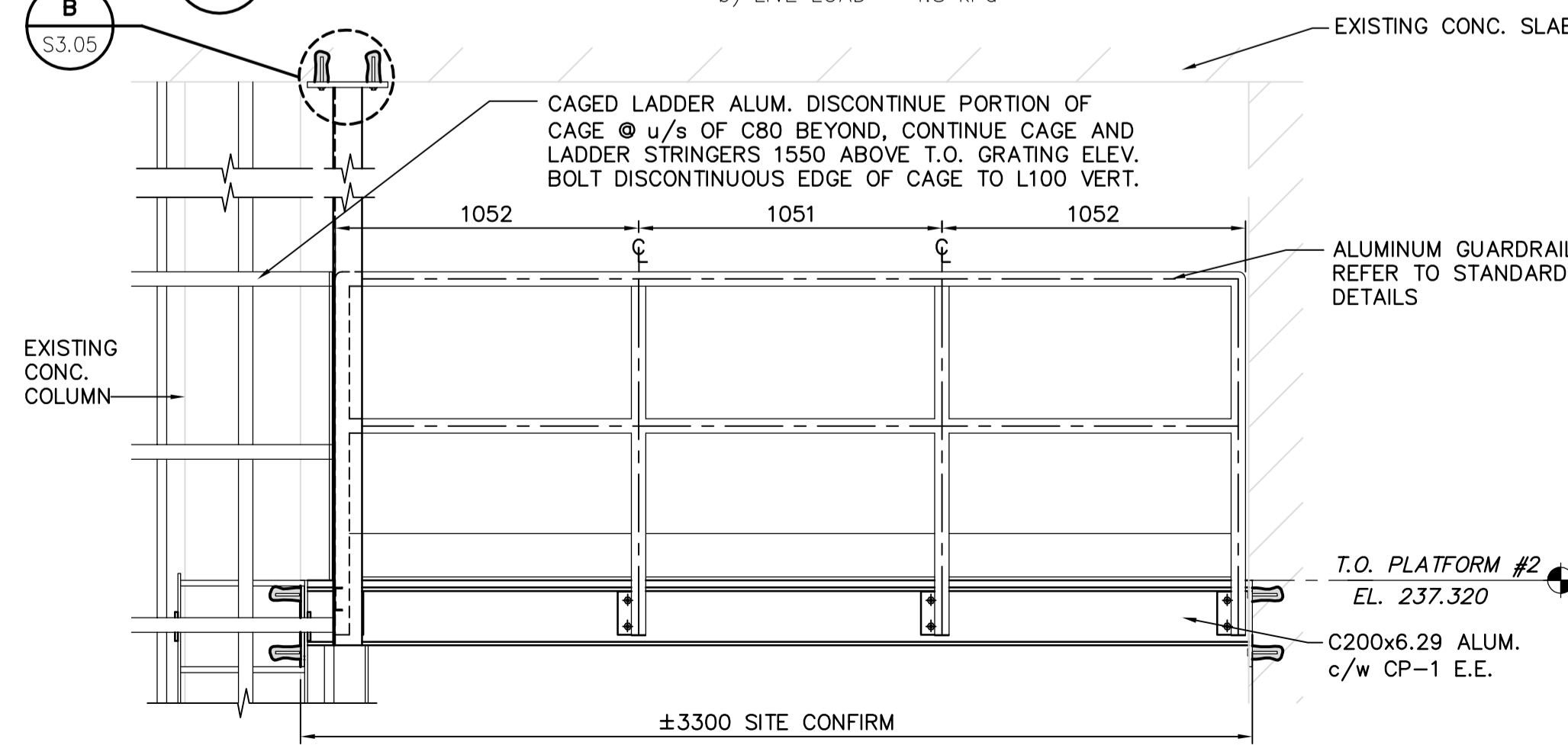
1 PLATFORM PLAN #1
 SS2.02 SCALE 1:20



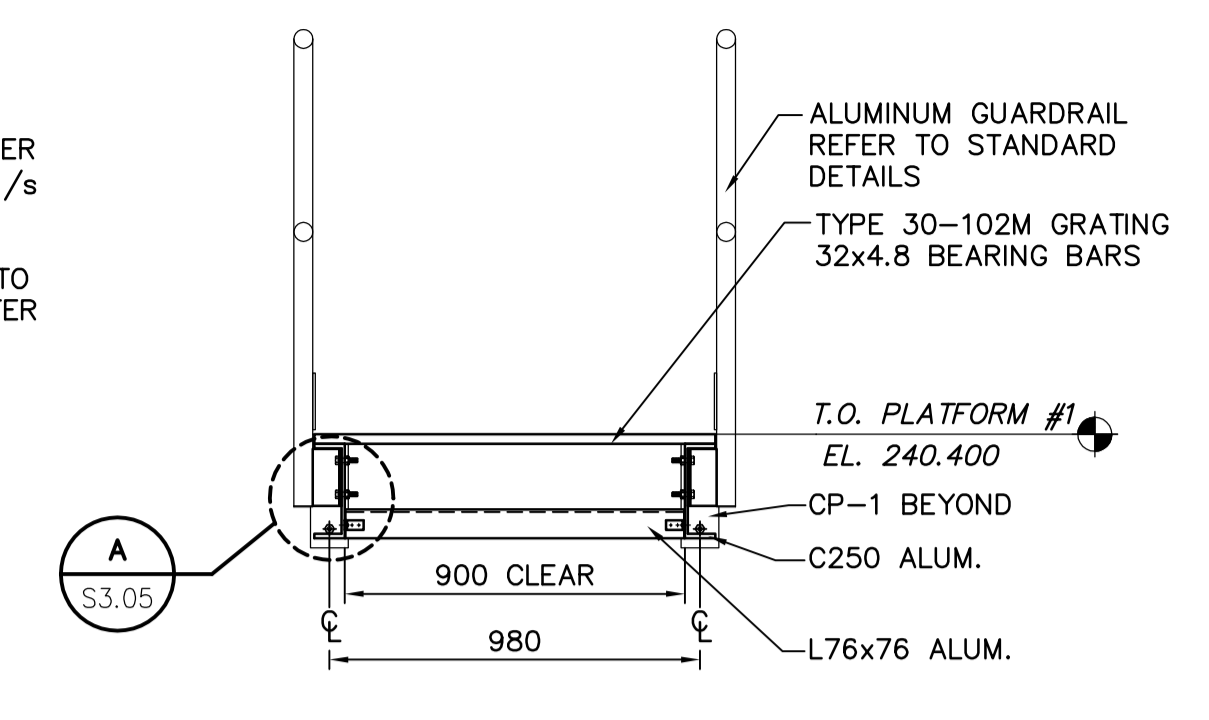
3 PLATFORM #1 ELEVATION
 SS3.05 SCALE 1:20



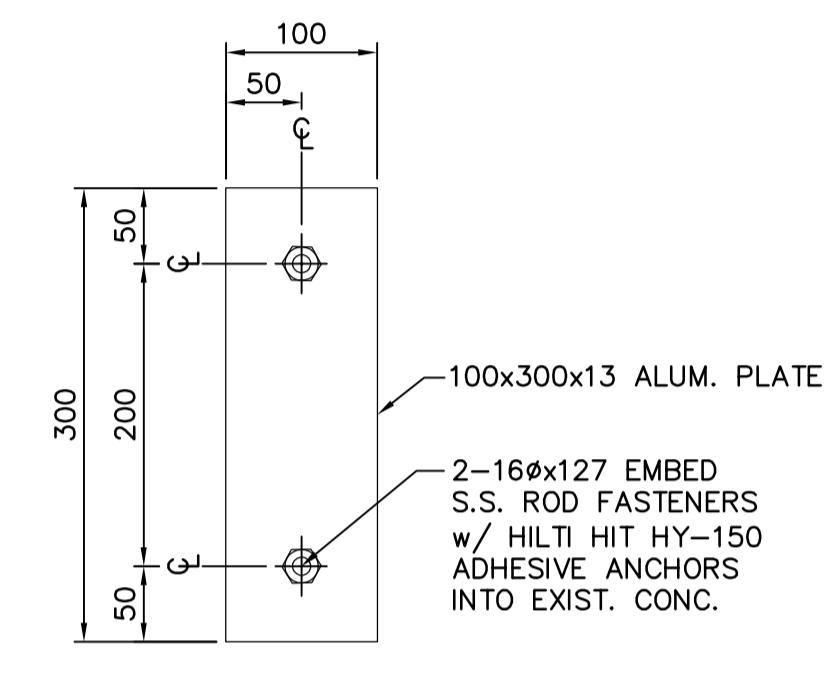
2 PLATFORM PLAN #2
 SS2.02 SCALE 1:20



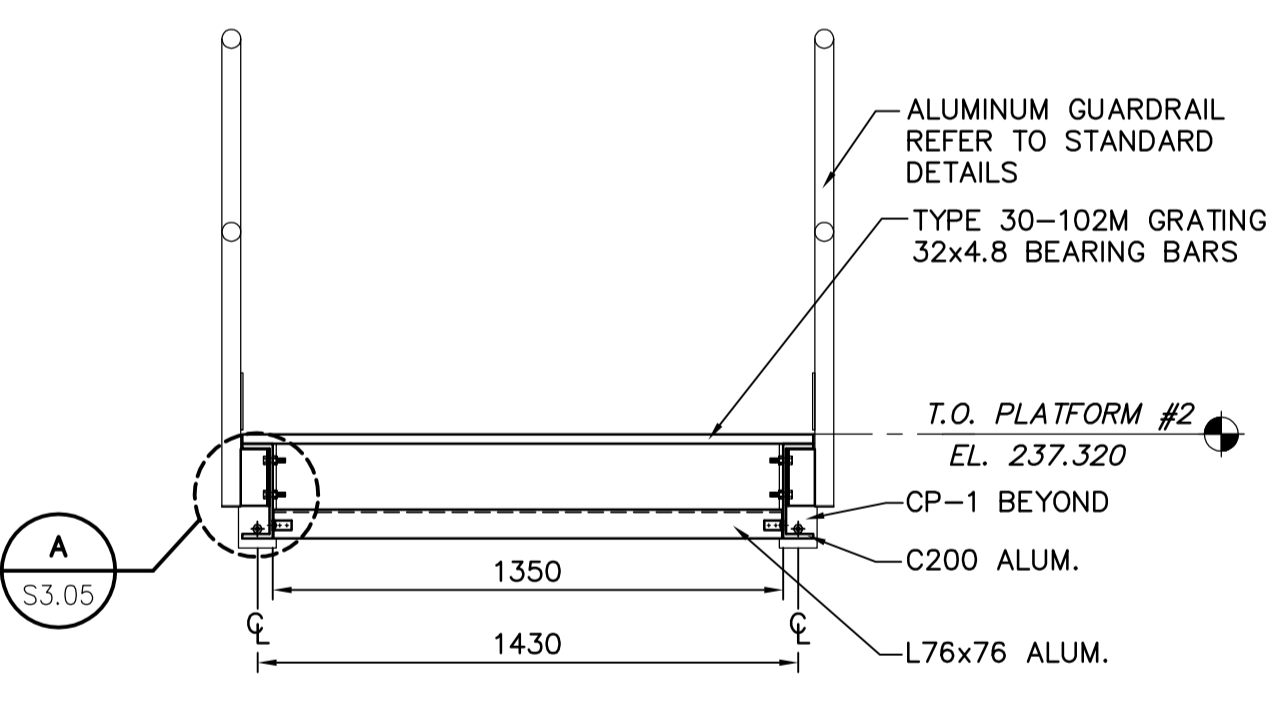
5 PLATFORM #2 ELEVATION
 SS3.05 SCALE 1:20



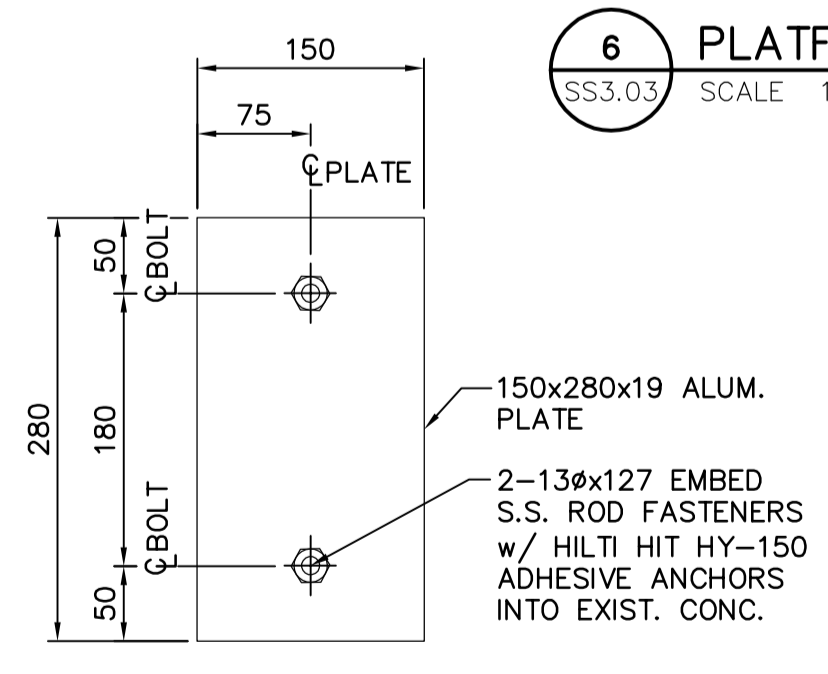
4 PLATFORM #1 SECTION
 SS3.05 SCALE 1:20



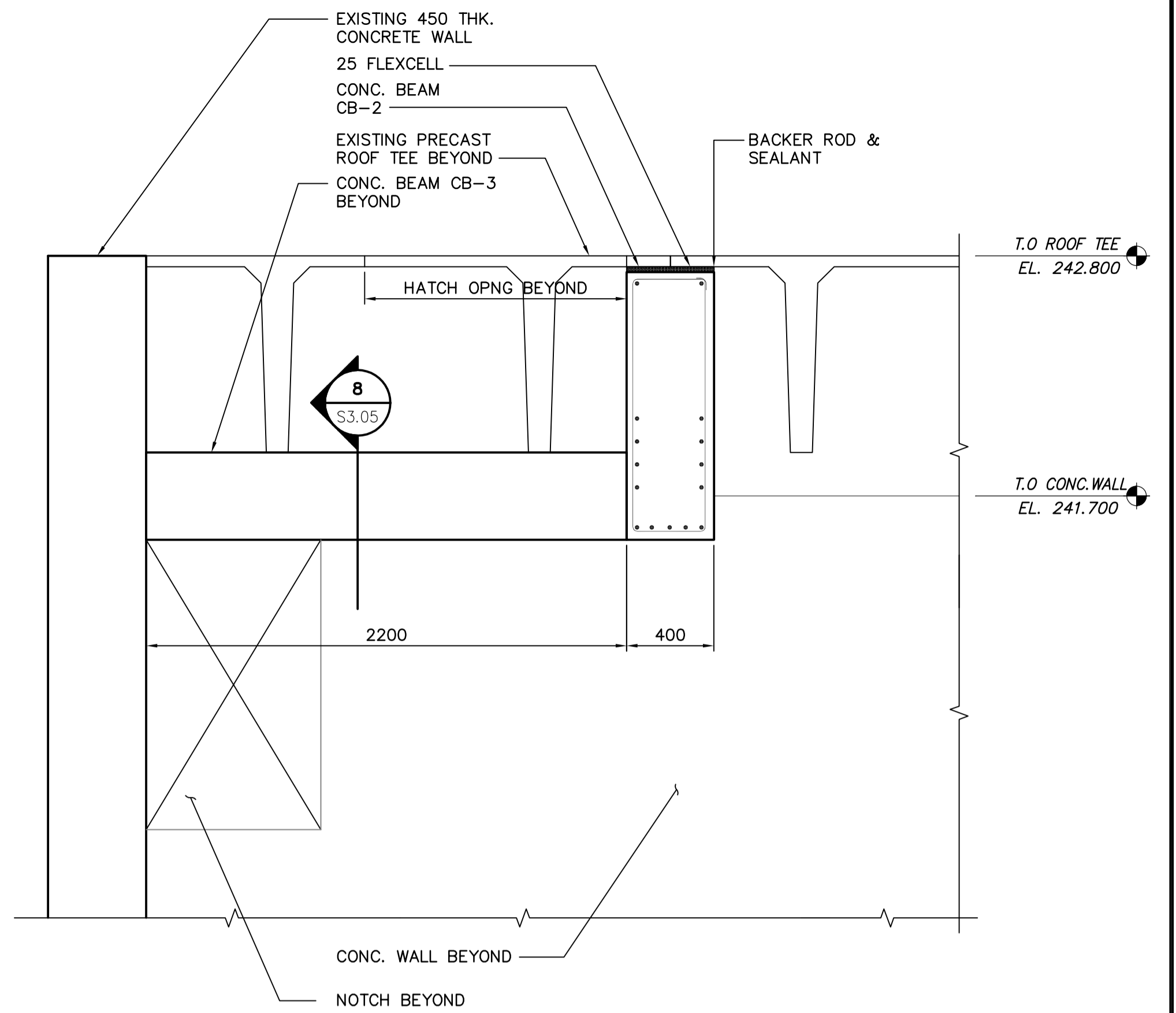
A CP-1 DETAIL
 SS3.05 SCALE 1:5



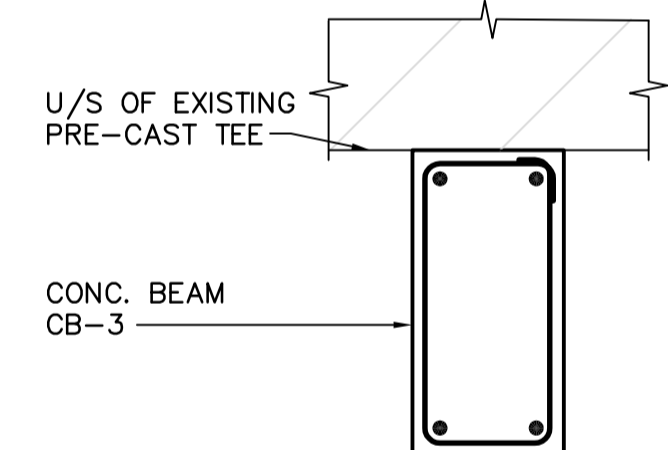
6 PLATFORM #2 SECTION
 SS3.03 SCALE 1:20



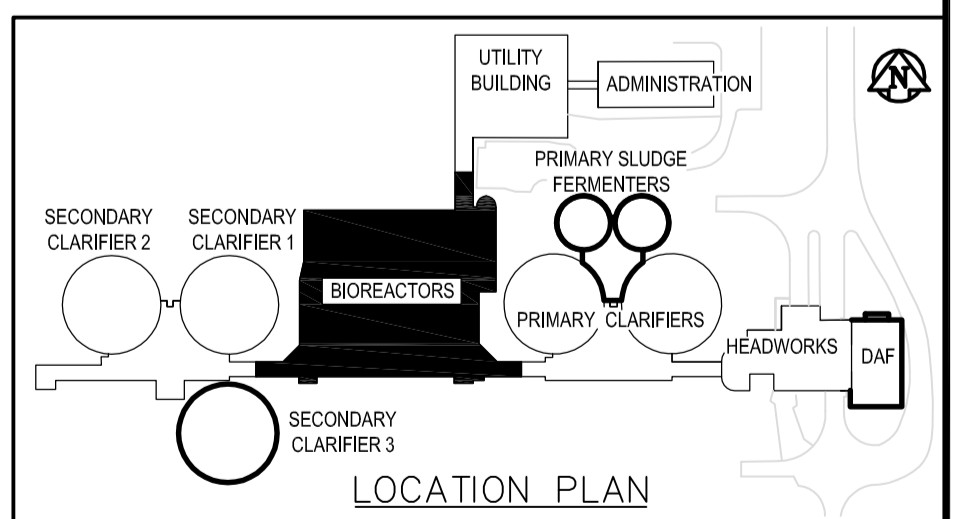
B CP-2 DETAIL
 SS3.05 SCALE 1:5



7 SECTION THRU BEAM
 SS2.04 SCALE 1:30



8 SECTION THRU BEAM
 SS2.04 SCALE 1:30



APEGM
 Certificate of Authorization
 Earth Tech Canada Inc.
 No. 730 Expiry: April 30, 2006

B.M. ELEV.		EarthTech A Tyco International Ltd. Company		ENGINEER'S SEAL	
DESIGNED BY	AA/JB	CHECKED BY	AA/JB	ORIGINAL SIGNED BY	J. BETKE
DRAWN BY	KK/CMF	APPROVED BY	JEH	DATE	2006/04/26
HOR. SCALE:	AS NOTED	RELEASED FOR CONSTRUCTION BY:	J. VEILLEUX	CONSULTANT DRAWING NO.	SS3.05
VERTICAL SCALE:		DATE	2006/04/18	DATE	2006/04/26
ISSUED FOR TENDER	06/04/26	KK			
NO. REVISIONS		DATE			

THE CITY OF WINNIPEG
 WATER AND WASTE DEPARTMENT
 ENGINEERING DIVISION

WEWPCC
 BIOLOGICAL NUTRIENT REMOVAL UPGRADE
 CONTRACT 3

STRUCTURAL
 AREA S - BIOREACTORS
 PLATFORM PLAN, SECTIONS & DETAILS

CITY FILE NUMBER
 SHEET OF
 CITY DRAWING NUMBER