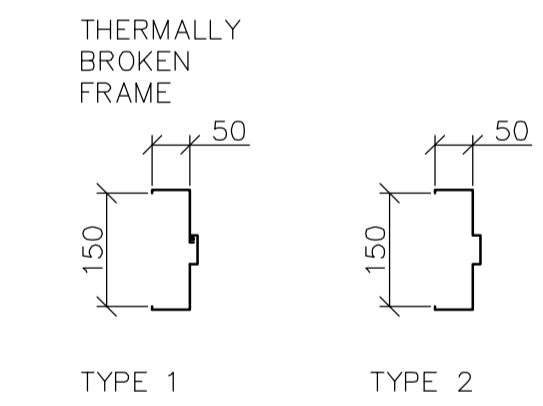


HARDWARE SCHEDULE

GROUP	DOOR	ITEM	DESCRIPTION	QTY		
GROUP 1	D101A, D102A	6	BUTT HINGES TA 314 115x100mm NRP/McKINNEY	26D		
		1	LOCKSET AU5407 x ASA YALE (W/CONST CYLINDER)	26D		
		2	FLUSHBOLTS F65 STANDARD METAL	26D		
		2	WEATHERSTRIP W29 1/6 + 2/7 KN CROWDER	CA		
		2	DOOR SWEEP W245 - 900 & 600mm KN CROWDER	CA		
		1	THRESHOLD CT11 - 1800 KN CROWDER	CA		
		1	ASTRAGAL W40P - 2100 KN CROWDER	26D		
		1	KICKPLATE K10C STANDARD METAL	26D		
		1	CLOSER 4040 LCN	689		
		GROUP 2	D105B, D201B,	3	BUTT HINGES TA 314 115x100mm NRP/McKINNEY	26D
				1	EXIT DEVICE 35A SERIES VON DUPRIN	626
				1	WEATHERSTRIP W29 1/3 + 2/7 KN CROWDER	CA
1	DOOR SWEEP W245 - 900mm KN CROWDER			CA		
1	THRESHOLD CT11 - 900mm KN CROWDER			CA		
1	CLOSER 4040 LCN			689		
1	KICKPLATE K10C STANDARD METAL			26D		
1	BLANK (NO HARDWARE) ON EXTERIOR			26D		
GROUP 3	D201 (RATED)			3	BUTT HINGES TA 314 115x100mm NRP/McKINNEY	26D
				1	LOCKSET AU5402 x ASA YALE (WITHOUT CYLINDER)	26D
				1	WALL STOP S122 STANDARD METAL	26D
				1	KICKPLATE K10F STANDARD METAL	26D
		1	CLOSER 1461 LCN	689		
GROUP 4	D105A, D202	3	BUTT HINGES TA 314 115x100mm NRP/McKINNEY	26D		
		1	LOCKSET AU5402 x ASA YALE (W/CONST CYLINDER)	26D		
		1	WALL STOP S122 STANDARD METAL	26D		
		1	KICKPLATE K10C STANDARD METAL	26D		
		1	CLOSER 4040 LCN	689		
GROUP 5	D103A, D103B	6	BUTT HINGES TA 314 115x100mm NRP/McKINNEY	26D		
		1	LOCKSET AU5407 x ASA YALE (W/CONST CYLINDER)	26D		
		2	FLUSHBOLTS F65 STANDARD METAL	26D		
		2	DOOR SWEEP W245 - 900 & 600mm KN CROWDER	CA		
		1	ASTRAGAL W40P - 2100 KN CROWDER	CA		
		1	KICKPLATE K10C STANDARD METAL	26D		

NOTE: ALL KICKPLATES TO BE MOUNTED ON PUSH SIDE



FRAME TYPES
SCALE: 1:10

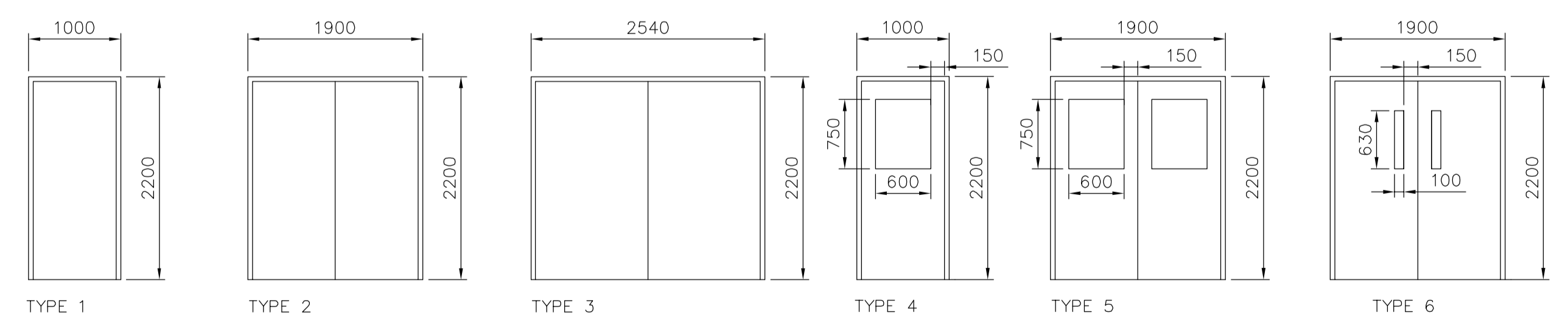
1 ROOF PLAN
TA1.01 1:100

NOTE: SEE STRUCTURAL FOR STAIR CONSTRUCTION

2 MAIN FLOOR PLAN
TA1.01 1:100

DOOR NO	TO ROOM	DOOR										GRILLES	COMMENTS				
		SIZE	SWING	TYPE	MAT	CORE	FINISH	COLOUR	PROFILE	MAT	TYPE			FINISH	COLOUR	HDW GROUP	FIRE RATING
D101	VESTIBULE	45x900x2150	LHR	6	HM	HC	PT	A	2	HM	WLD	PT	A	1	N/A	N/A	LHR ACTIVE
D102A	PROCESS	45x900x2150	LH	5	HM	HC	PT	A	2	HM	WLD	PT	A	1	N/A	N/A	LHR ACTIVE
D102B	PROCESS	50x4200x2700	O/H	N/A	METAL	INSUL	PREFIN	A	N/A	N/A	N/A	N/A	B	N/A	N/A	N/A	ROLL-UP PACKAGE
D103A	POLYMER	45x1220x2150	LH	3	HM	HC	PT	A	2	HM	WLD	PT	A	1	N/A	N/A	LHR ACTIVE
D103B	POLYMER	45x1220x2150	LH	3	HM	HC	PT	A	2	HM	WLD	PT	A	1	N/A	N/A	LHR ACTIVE
D104A	DAF EQUIPMENT	45x900x2150	LH	4	HM	HC	PT	A	2	HM	WLD	PT	A	1	N/A	N/A	
D104B	DAF EQUIPMENT	45x900x2150	RHR	1	HM	INSUL	PT	A	1	HM	WLD	PT	A	2	N/A	N/A	
D104C	DAF EQUIPMENT	50x4700x2700	O/H	N/A	METAL	INSUL	PREFIN	A	N/A	N/A	N/A	N/A	B	N/A	N/A	N/A	ROLL-UP PACKAGE

ROOM NO	ROOM NAME	FINISH SCHEDULE														COMMENTS		
		FLOOR		WALLS										CEILING				
		MAT	COLOUR	NORTH	EAST	SOUTH	WEST	MAT	COLOUR	HGT	AFF							
101	VESTIBULE	EPOXY	A	EPXY COV	A	CB	PT	C	CB	PT	C	CB	PT	C	METAL	PT	GRAY	2900
102	PROCESS	EPOXY	A	EPXY COV	A	CB	PT	C	CB	PT	C	CB	PT	C	METAL	PT	GRAY	+/-8150
103	POLYMER	EPOXY	A	EPXY COV	A	CB	PT	C	CB	PT	C	CB	PT	C	METAL	PT	GRAY	4100
104	DAF EQUIPMENT	EPOXY	A	EPXY COV	A	CB	PT	C	CB	PT	C	CB	PT	C	METAL	PT	GRAY	+/-8150



DOOR TYPES
SCALE: 1:50

B.M. ELEV.	 A Tyco International Ltd. Company		ENGINEER'S SEAL	 THE CITY OF WINNIPEG WATER AND WASTE DEPARTMENT ENGINEERING DIVISION	CITY FILE NUMBER SHEET 1 OF 6 CITY DRAWING NUMBER
			DESIGNED BY: NC		
	DRAWN BY: LK/AL	APPROVED BY: JEH	ORIGINAL SIGNED BY: N. COOPER		
	HOR. SCALE: AS NOTED VERTICAL SCALE: AS NOTED		RELEASED FOR CONSTRUCTION BY: J. VEILLEUX DATE: 2006/04/26		
00	ISSUED FOR TENDER	06/04/26	LK	CONSULTANT DRAWING NO. TA1.01	WEWPC BIOLOGICAL NUTRIENT REMOVAL UPGRADE CONTRACT No. 3 ARCHITECTURAL AREA T - DAF THICKENER BUILDING ROOF PLAN, FLOOR PLANS, & SCHEDULES
NO.	REVISIONS	DATE	BY	DATE: 2006/01/03 DATE: 2006/04/26	

