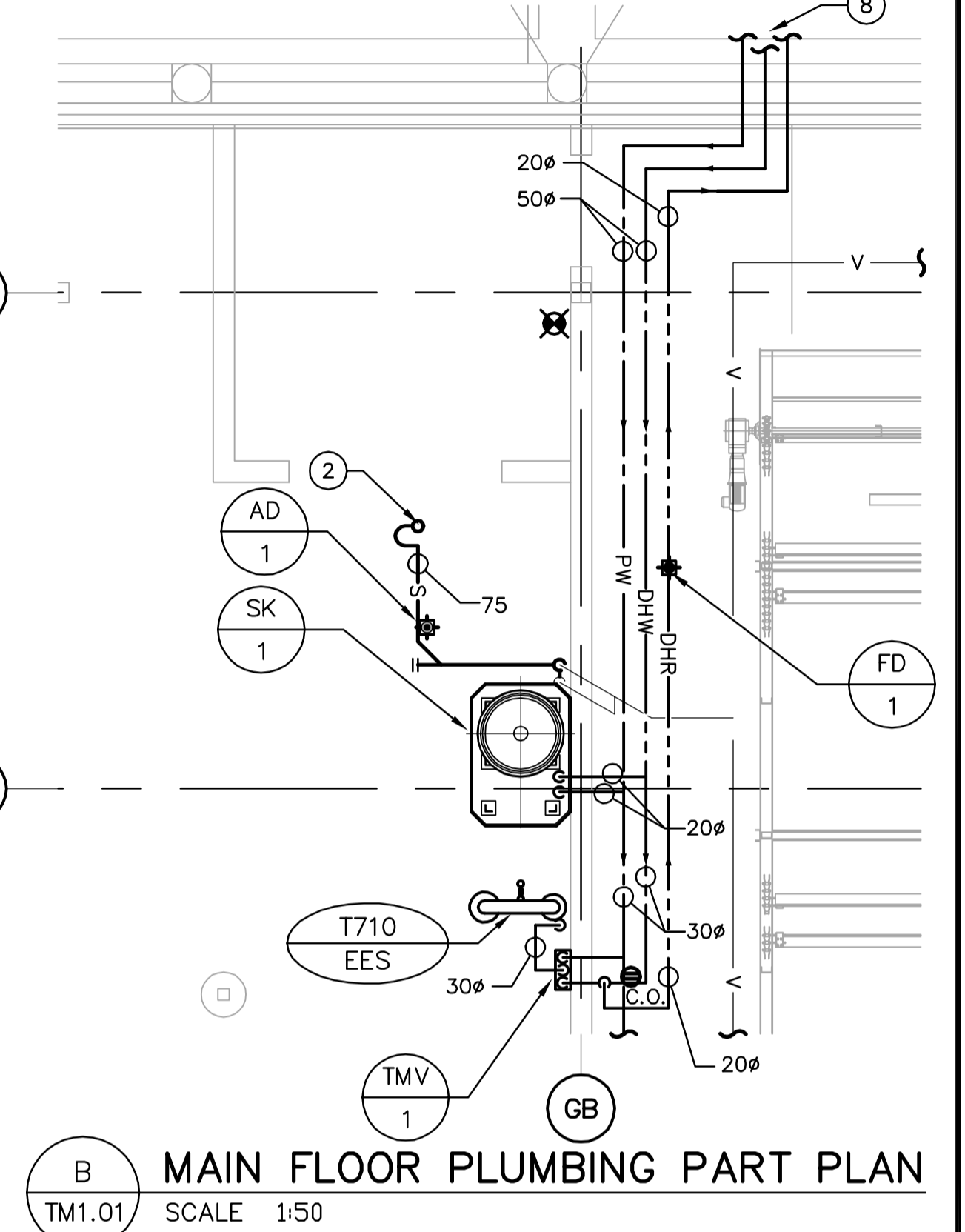
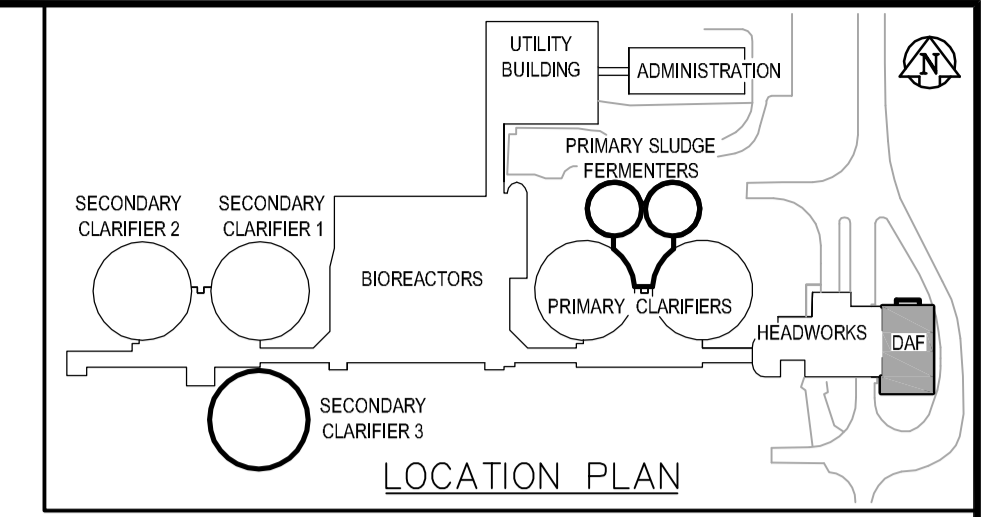


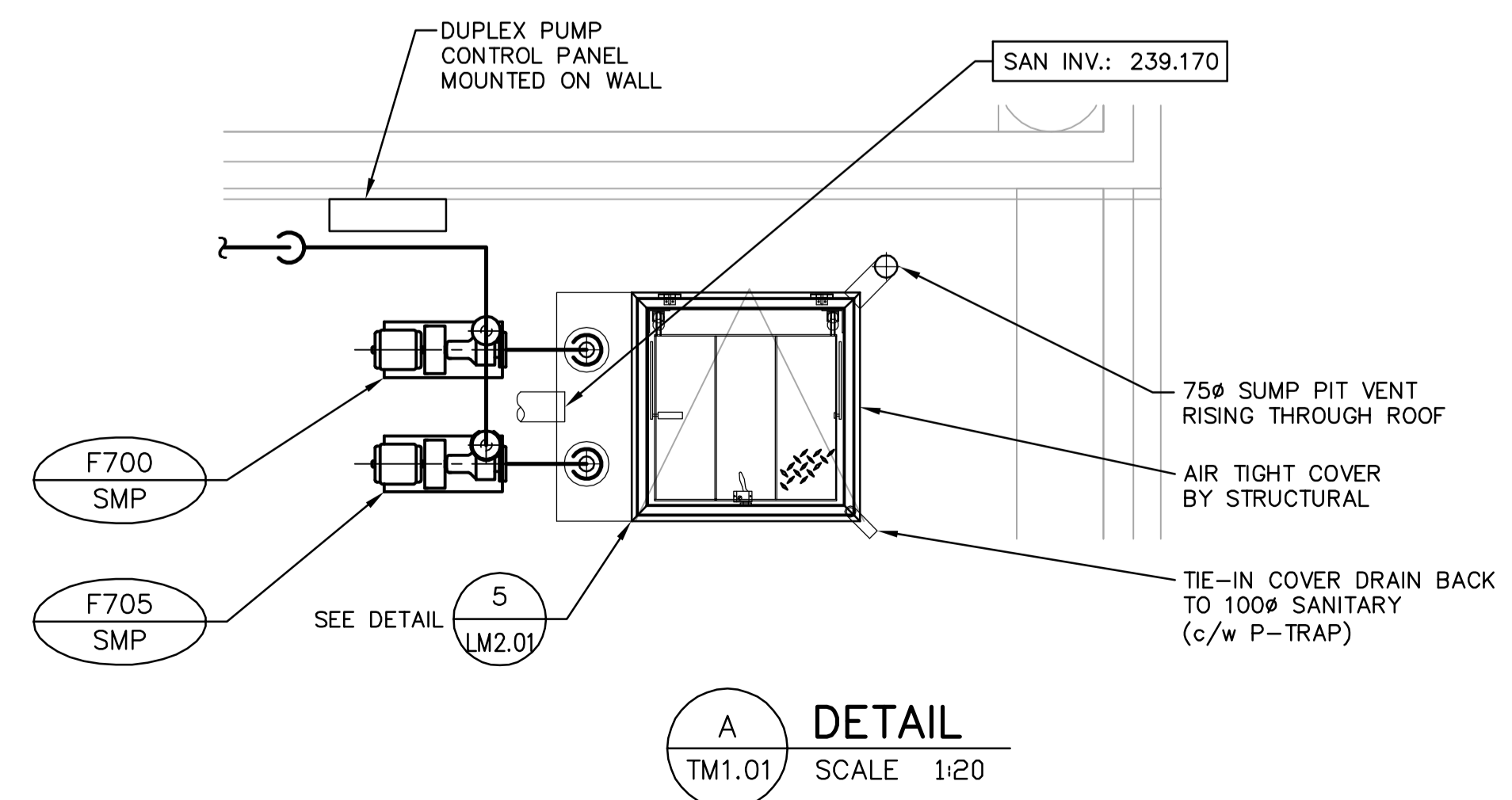
FOUNDATION AND MAIN FLOOR PLUMBING PLAN
SCALE: 1:50



A DETAIL
TM1.01 SCALE 1:20

- DRAWING NOTES**
- 75mm VENT FROM SUMP PIT UP THROUGH ROOF c/w PITCH POCKET.
 - 75mm SANITARY UP TO FLOOR DRAIN ON MEZZANINE.
 - 40mm PW DOWN FROM MEZZANINE.
 - 40mm PW UP TO BOOSTER PUMPS LOCATED ON MEZZANINE.
 - 50mm PS (PUMPED SANITARY) DOWN TO SUMP PUMPS F700-SMP AND F705-SMP.
 - SEE DRAWING HM1.01 FOR CONTINUATION OF 50mm PS LINE.
 - 1025Lx762Wx3000 DEEP SUMP PIT. SEE STRUCTURAL DRAWING TS203.
 - SEE DRAWING HM1.02 FOR CONTINUATION.

- GENERAL NOTES**
- COORDINATE WITH OTHER TRADES SO AS TO PREVENT CONFLICTS.
 - SEE DRAWING TM3.01 FOR NATURAL GAS PIPING.



B.M. ELEV.	EarthTech A Tyco International Ltd. Company		ENGINEER'S SEAL
DESIGNED BY: PVL	CHECKED BY: PVL	ORIGINAL SIGNED BY: A. BURACHYNSKY	2006/04/26
DRAWN BY: DL	APPROVED BY: JEH	CONSULTANT DRAWING NO. TM1.01	
HOR. SCALE: AS NOTED	RELEASED FOR CONSTRUCTION BY: J. VEILLEUX		
NO. REVISIONS	DATE	DATE	DATE
00	ISSUED FOR TENDER 06/04/26 DC	2005/12/19	2006/04/26

THE CITY OF WINNIPEG
WATER AND WASTE DEPARTMENT
ENGINEERING DIVISION

WEWPCC
BIOLOGICAL NUTRIENT REMOVAL UPGRADE
CONTRACT 3

MECHANICAL
AREA T - DAF THICKENER BUILDING
FOUNDATION AND MAIN FLOOR PLUMBING PLAN

CITY FILE NUMBER
SHEET OF
CITY DRAWING NUMBER