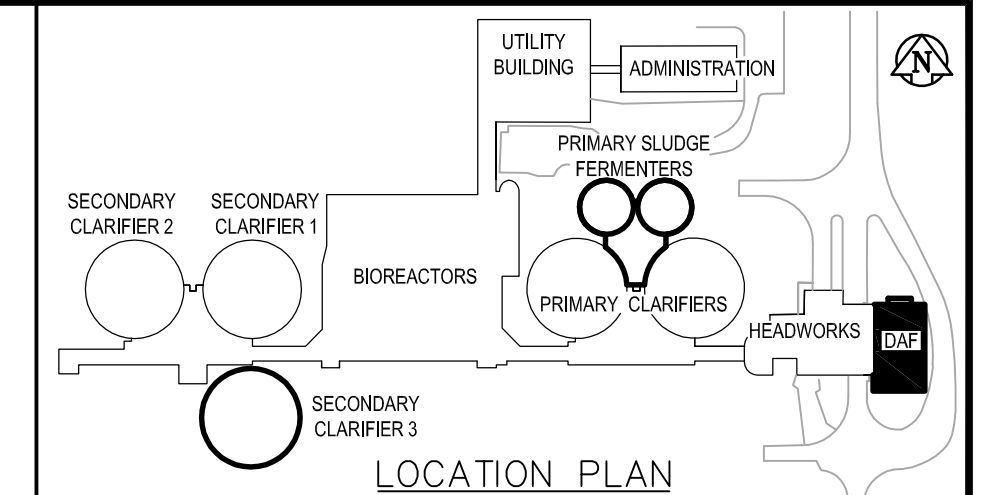
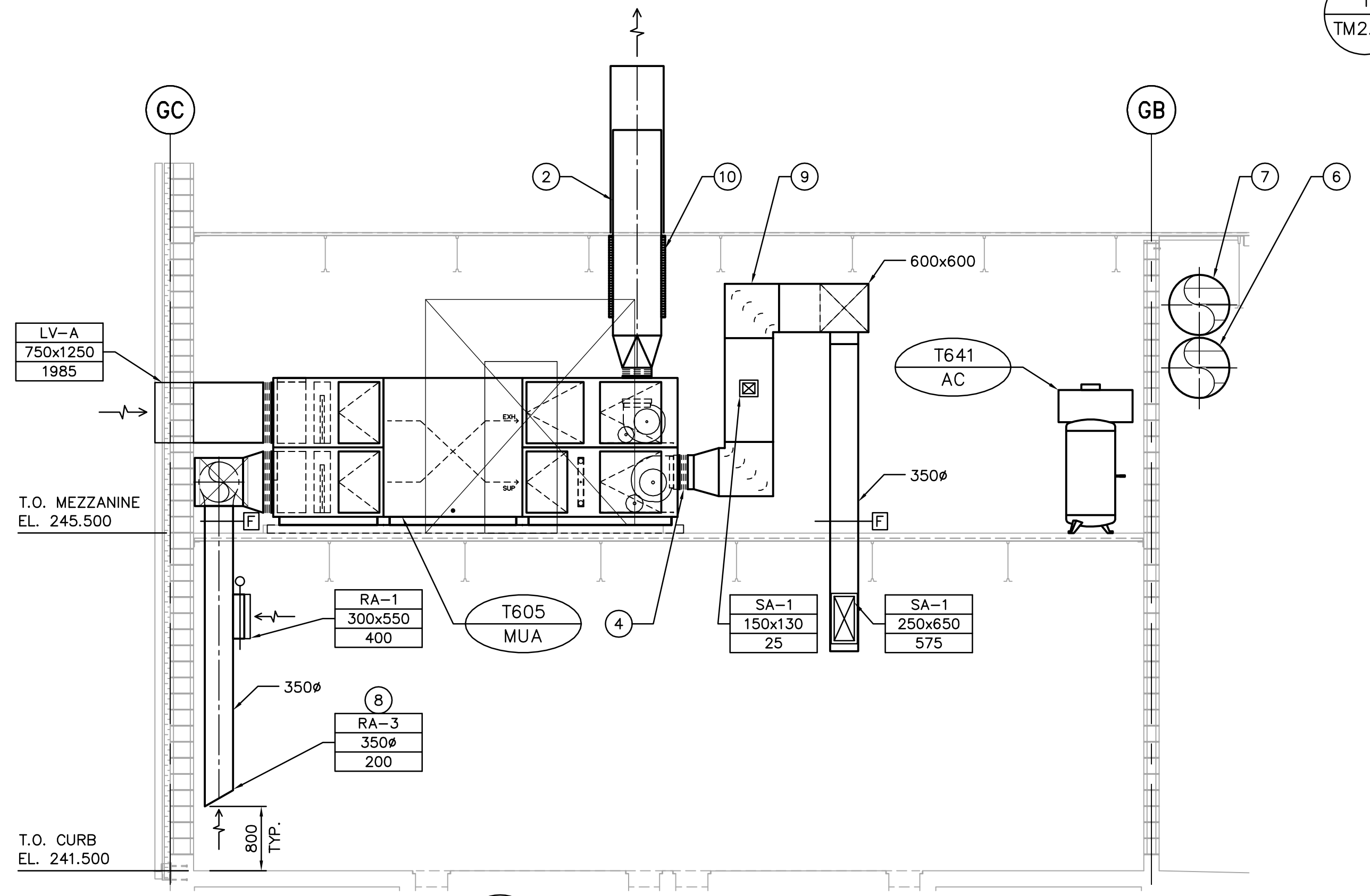


1 SECTION
TM2.02 SCALE 1:50

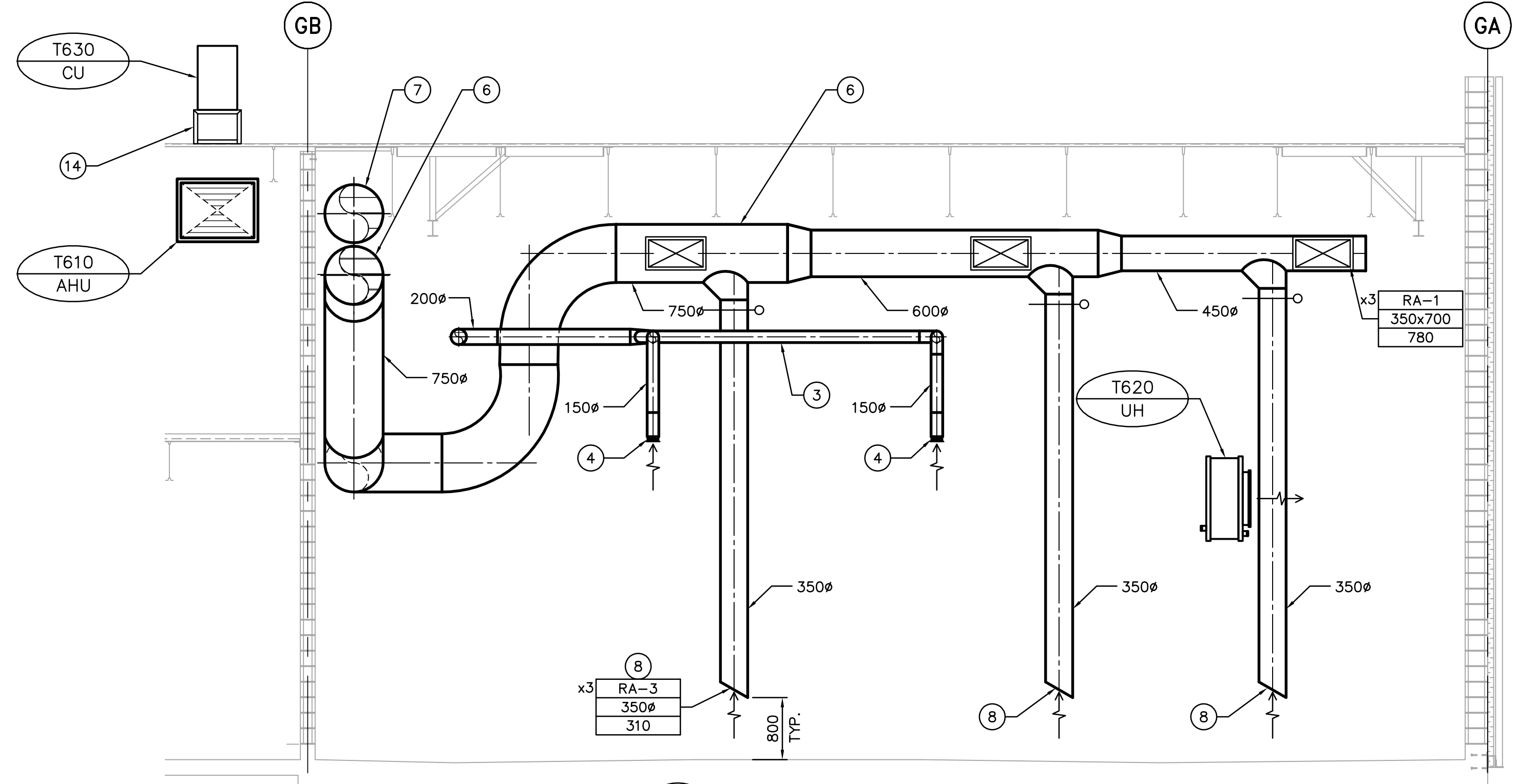


DRAWING NOTES

- 1 200mm x 750mm AIR INTAKE FOR T600-MUA c/w 600mm INSULATED ROOF CURB.
- 2 600mm ϕ T605-MUA EXHAUST AIR.
- 3 EXHAUST DUCT OF 2 DAF TANKS.
- 4 FLEXIBLE DUCT CONNECTIONS.
- 5 SUPPLY DUCT OF T600-MUA.
- 6 RETURN DUCT OF T600-MUA.
- 7 EXHAUST DUCT OF T600-MUA.
- 8 13mm SQUARE WIRE MESH.
- 9 SUPPLY DUCT FROM T605-MUA.
- 10 50mm THERMAL EXTERIOR INSULATION.
- 11 BOILER FRAME.
- 12 250 ϕ COMBUSTION AIR INTAKE DOWN FROM ROOF LEVEL. TERMINATE WITH RAIN CAP AND METAL FLASHING. INTAKE OPENING TO BE MINIMUM 500mm ABOVE MAXIMUM SNOW LINE. TYPICAL FOR EACH BOILER.
- 13 50 ϕ FLUE UP ABOVE ROOF LEVEL. TERMINATE WITH RAIN CAP AND METAL FLASHING. CONFIRM ON-SITE EXACT HEIGHT OF CHIMNEY. MAINTAIN MINIMUM 1700mm ABOVE MAXIMUM SNOW LINE AND 1200mm ABOVE COMBUSTION AIR INTAKE OPENING.
- 14 MECHANICAL CONTRACTOR TO PROVIDE 300 HIGH STEEL PLATFORM FOR T630-CU TO SIT ON. UNIT AND PLATFORM SHALL BE SECURELY MOUNTED TO ROOF.
- 15 INSTALL INSECT SCREEN ON AIR INTAKE.



2 SECTION
TM2.02 SCALE 1:50



3 SECTION
TM2.02 SCALE 1:50

GENERAL NOTES

1. COORDINATE WITH OTHER TRADES SO AS TO PREVENT CONFLICTS.
2. ALL DUCTWORK SHALL BE SUPPORTED AND SUSPENDED AS PER SPECIFICATIONS AND LOCAL CODES (SEE ϕ FOR DETAILS).
3. ALL DUCTWORK SHALL BE STAINLESS STEEL.



B.M. ELEV.	EarthTech A Tyco International Ltd. Company		ENGINEER'S SEAL	THE CITY OF WINNIPEG WATER AND WASTE DEPARTMENT ENGINEERING DIVISION	CITY FILE NUMBER
	DESIGNED BY: AB/LJW	CHECKED BY: PVL	ORIGINAL SIGNED BY: A. BURACHYNSKY		
	DRAWN BY: LJW/DL	APPROVED BY: JEH	DATE: 2006/04/26	WEWPC BIOLOGICAL NUTRIENT REMOVAL UPGRADE CONTRACT 3	SHEET OF
	HOR. SCALE: 1:50	RELEASED FOR CONSTRUCTION BY: J. VEILLEUX	CONSULTANT DRAWING NO. TM4.01		CITY DRAWING NUMBER
00 ISSUED FOR TENDER	06/04/26	DC		MECHANICAL AREA T - DAF THICKENER BUILDING SECTIONS	
NO. REVISIONS	DATE	BY	DATE		
			2006/01/04		
			2006/04/26		