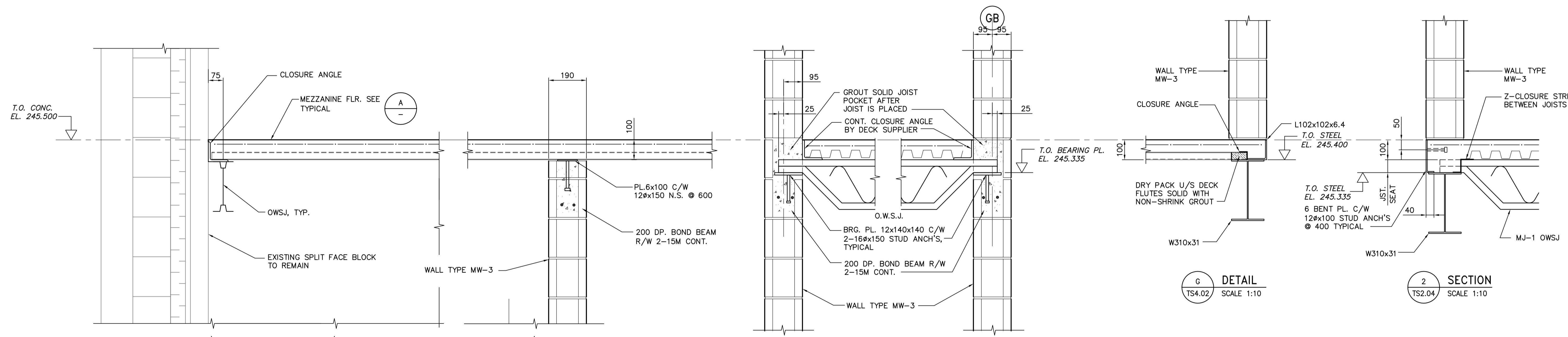


A DETAIL
TS4.02 SCALE 1:10

B DETAIL
TS4.02 SCALE 1:10

C DETAIL
TS4.01 SCALE 1:10

1 SECTION
TS2.04 SCALE 1:10



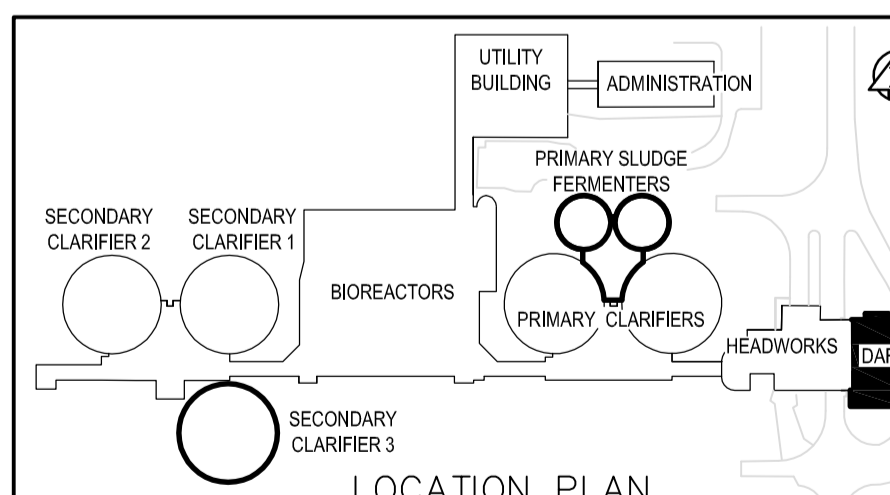
D DETAIL
TS4.02 SCALE 1:10

E DETAIL
TS4.02 SCALE 1:10

F DETAIL
TS4.01 SCALE 1:10

G DETAIL
TS4.02 SCALE 1:10

2 SECTION
TS2.04 SCALE 1:10



B.M. ELEV.		EarthTech A Tyco International Ltd. Company		ENGINEER'S SEAL	
DESIGNED BY	ARA	CHECKED BY	LR	ORIGINAL SIGNED BY	J. BETKE
DRAWN BY	NDH	APPROVED BY	JEH	DATE	2006/04/26
HOR. SCALE:	AS NOTED	RELEASED FOR CONSTRUCTION BY:	J. VEILLEUX	CONSULTANT DRAWING NO.	TS5.04
VERTICAL SCALE:		DATE	2006/03/13	DATE	2006/04/26
NO.	ISSUED FOR TENDER	06/04/26	CMF		
NO.	REVISIONS	DATE	BY		

THE CITY OF WINNIPEG
WATER AND WASTE DEPARTMENT
ENGINEERING DIVISION

WEWPC
BIOLOGICAL NUTRIENT REMOVAL UPGRADE
CONTRACT 3

STRUCTURAL
AREA T - DAF THICKENER BUILDING
SECTIONS AND DETAILS

CITY FILE NUMBER
SHEET OF
CITY DRAWING NUMBER