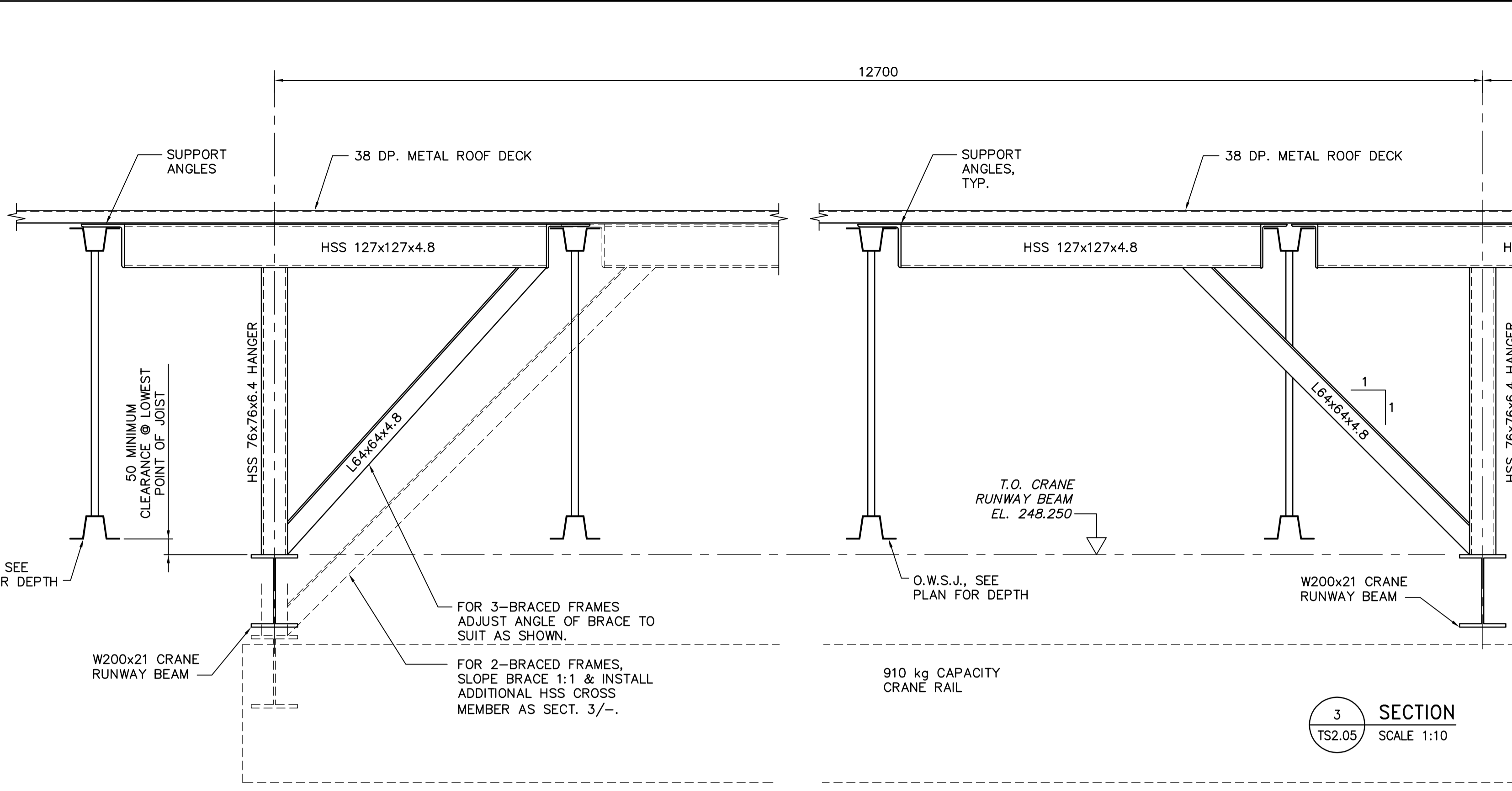
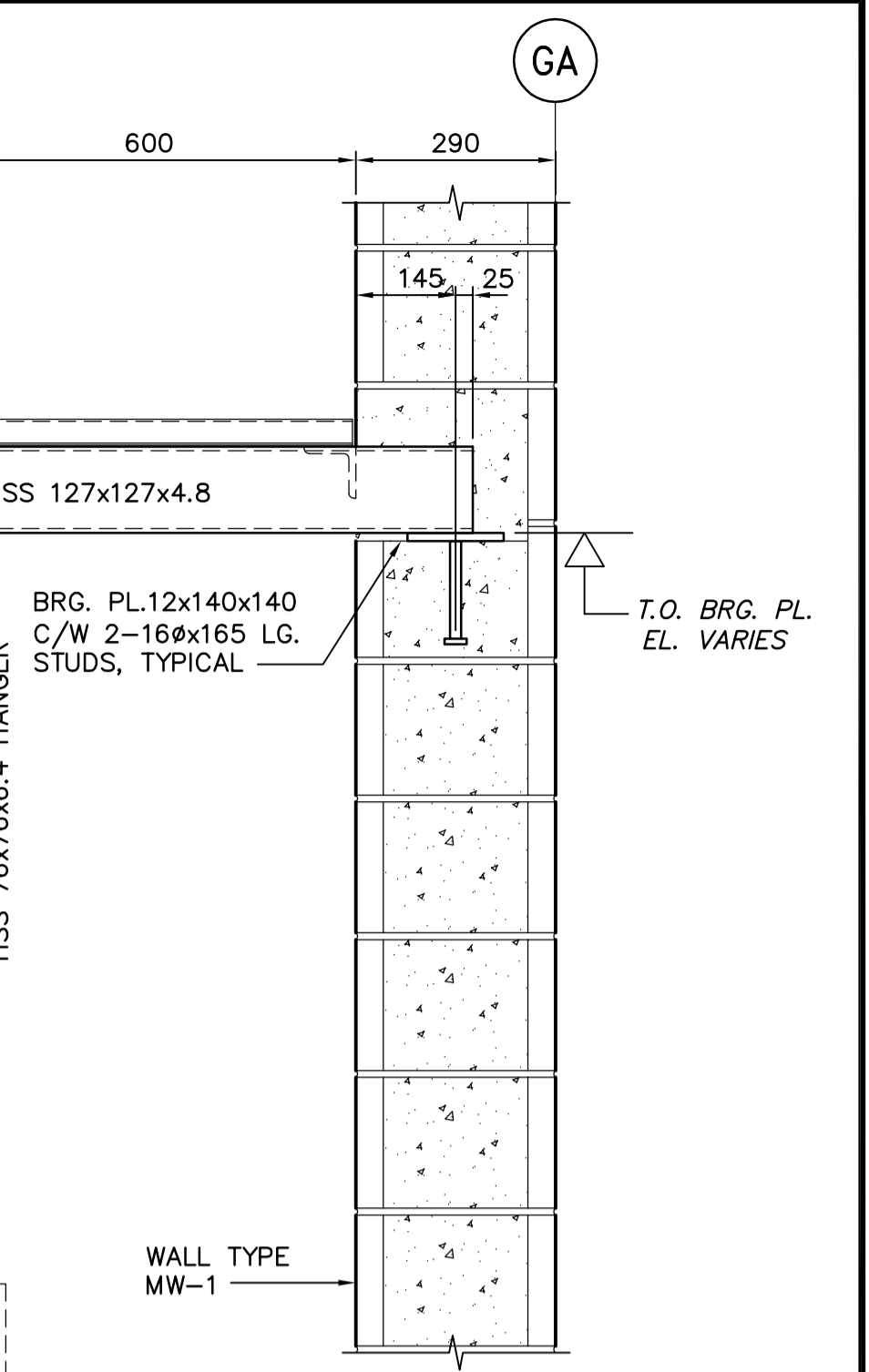


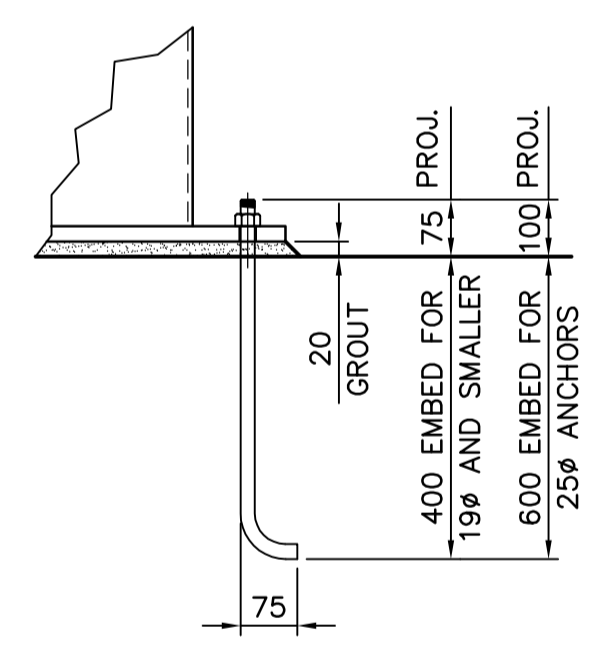
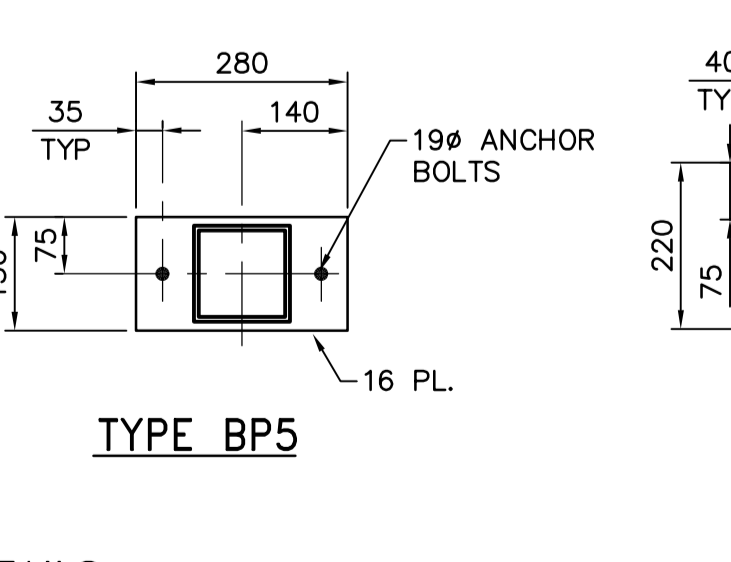
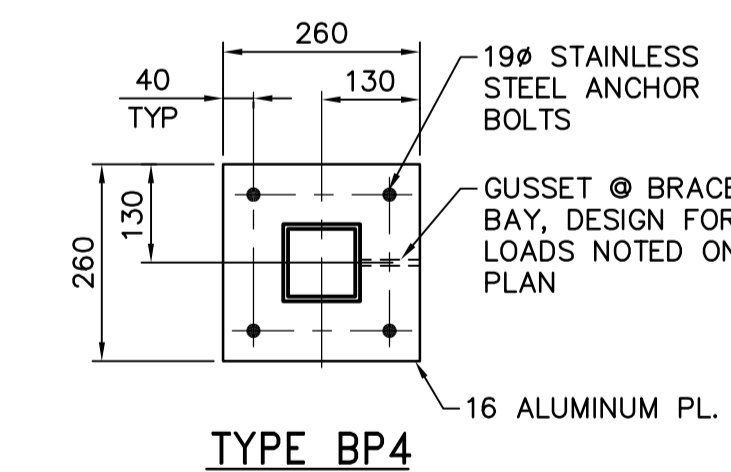
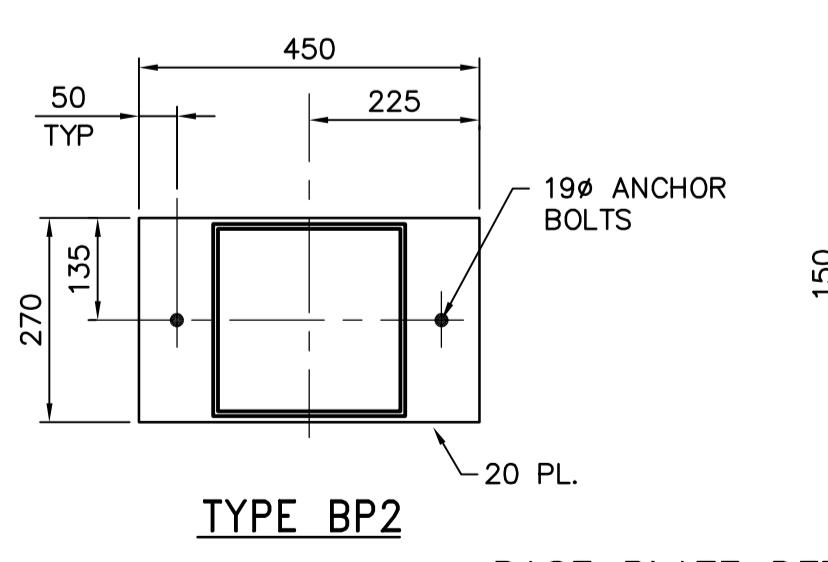
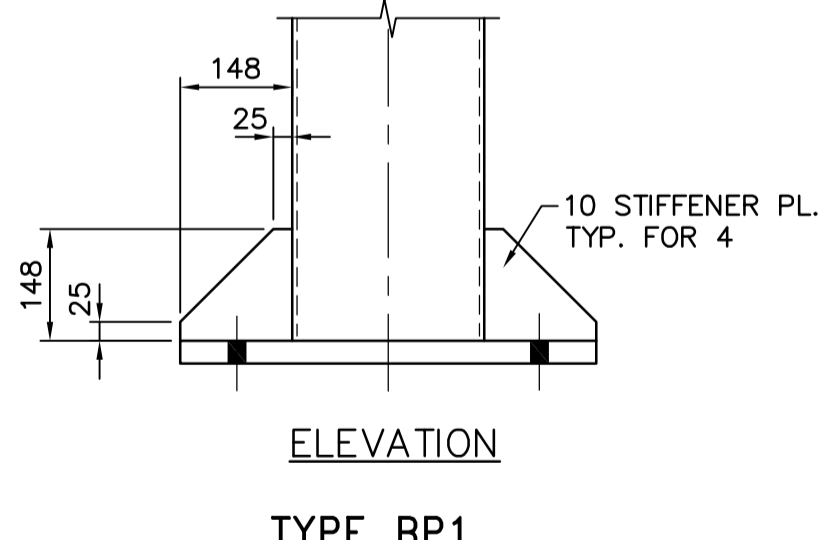
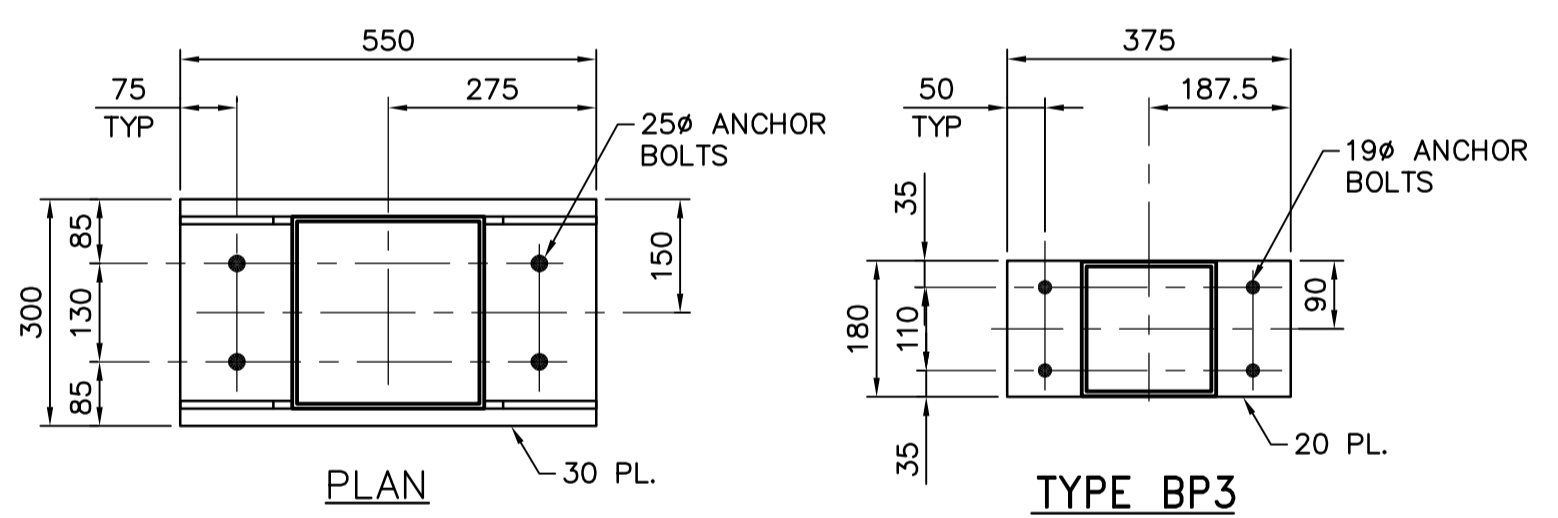
1 SECTION
TS2.04 SCALE 1:10



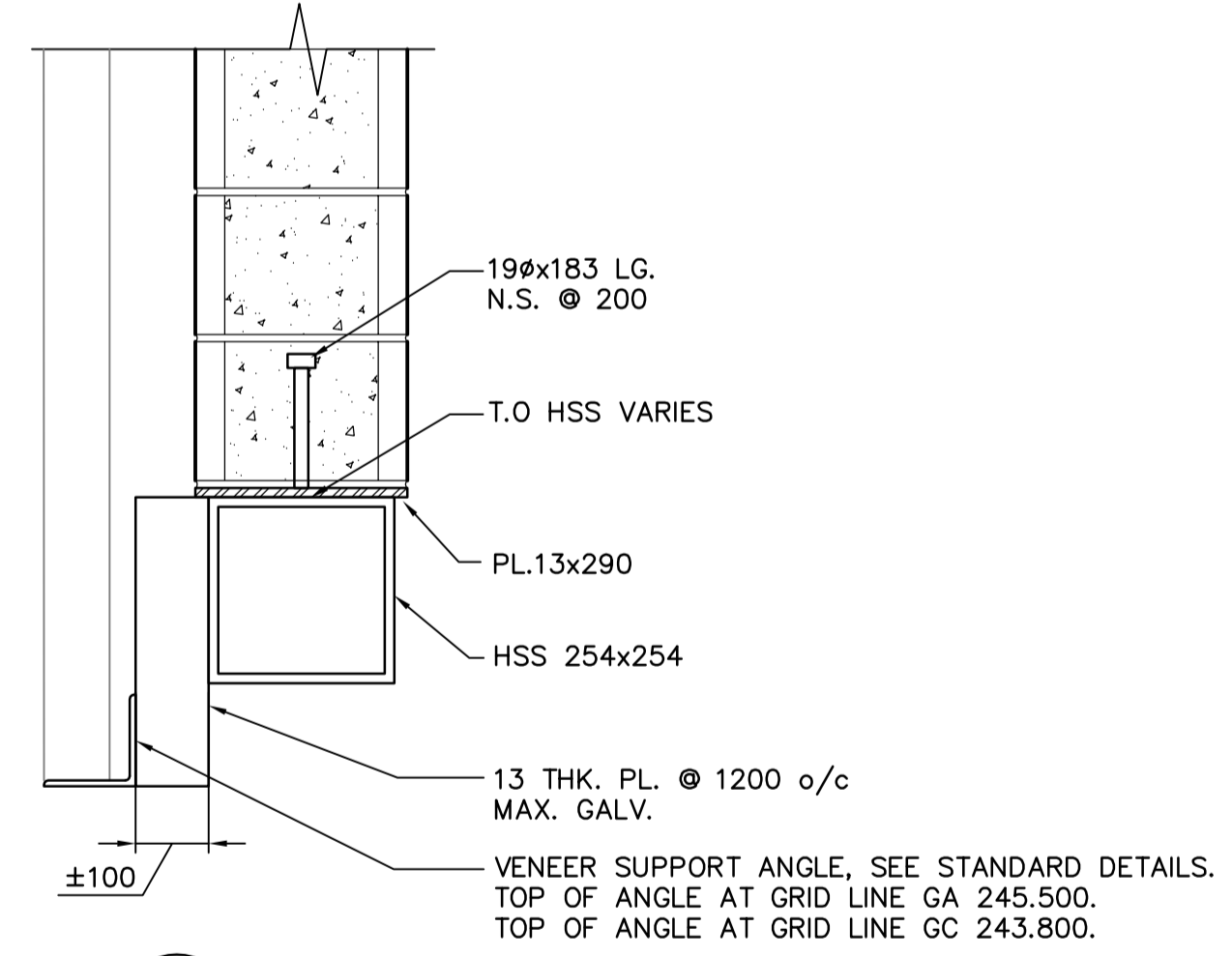
2 SECTION
TS2.05 SCALE 1:10



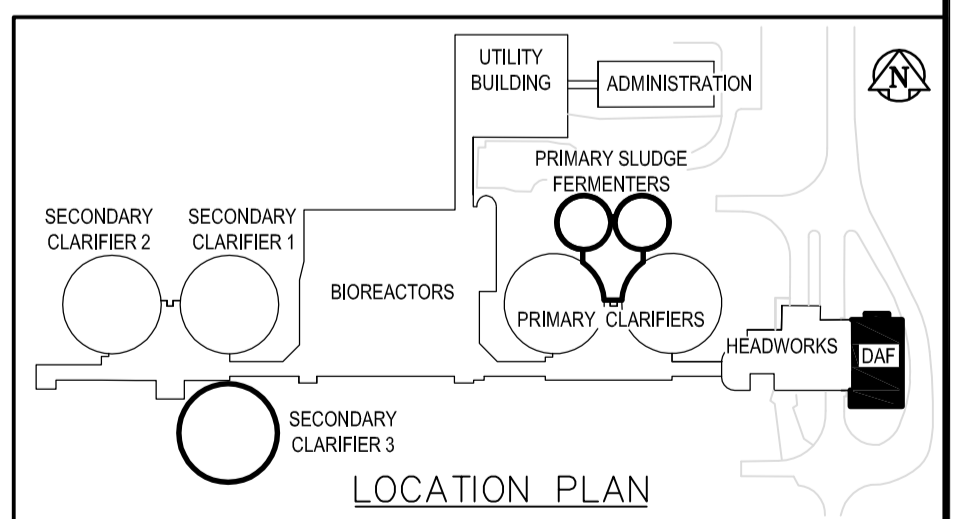
3 SECTION
TS2.05 SCALE 1:10



ANCHOR BOLT DETAILS
1:10



4 SECTION
TS5.05 SCALE 1:10



LOCATION PLAN

APEGM
Certificate of Authorization
Earth Tech Canada Inc.
No. 730 Expiry: April 30, 2006

B.M. ELEV.	NO.	REVISIONS	DATE	BY
	00	ISSUED FOR TENDER	06/04/26	CMF

EarthTech A Tyco International Ltd. Company	
DESIGNED BY: ARA	CHECKED BY: LR
DRAWN BY: NDH	APPROVED BY: JEH
HOR. SCALE: AS NOTED	RELEASED FOR CONSTRUCTION BY: J. VEILLEUX
VERTICAL SCALE:	
DATE: 2006/03/13	DATE: 2006/04/26

ENGINEER'S SEAL
ORIGINAL SIGNED BY: J. BETKE
2006/04/26
CONSULTANT DRAWING NO. TS5.06

THE CITY OF WINNIPEG
WATER AND WASTE DEPARTMENT
ENGINEERING DIVISION

WEWPCC
BIOLOGICAL NUTRIENT REMOVAL UPGRADE
CONTRACT 3

STRUCTURAL
AREA T - DAF THICKENER BUILDING
SECTIONS AND DETAILS

CITY FILE NUMBER
SHEET OF
CITY DRAWING NUMBER