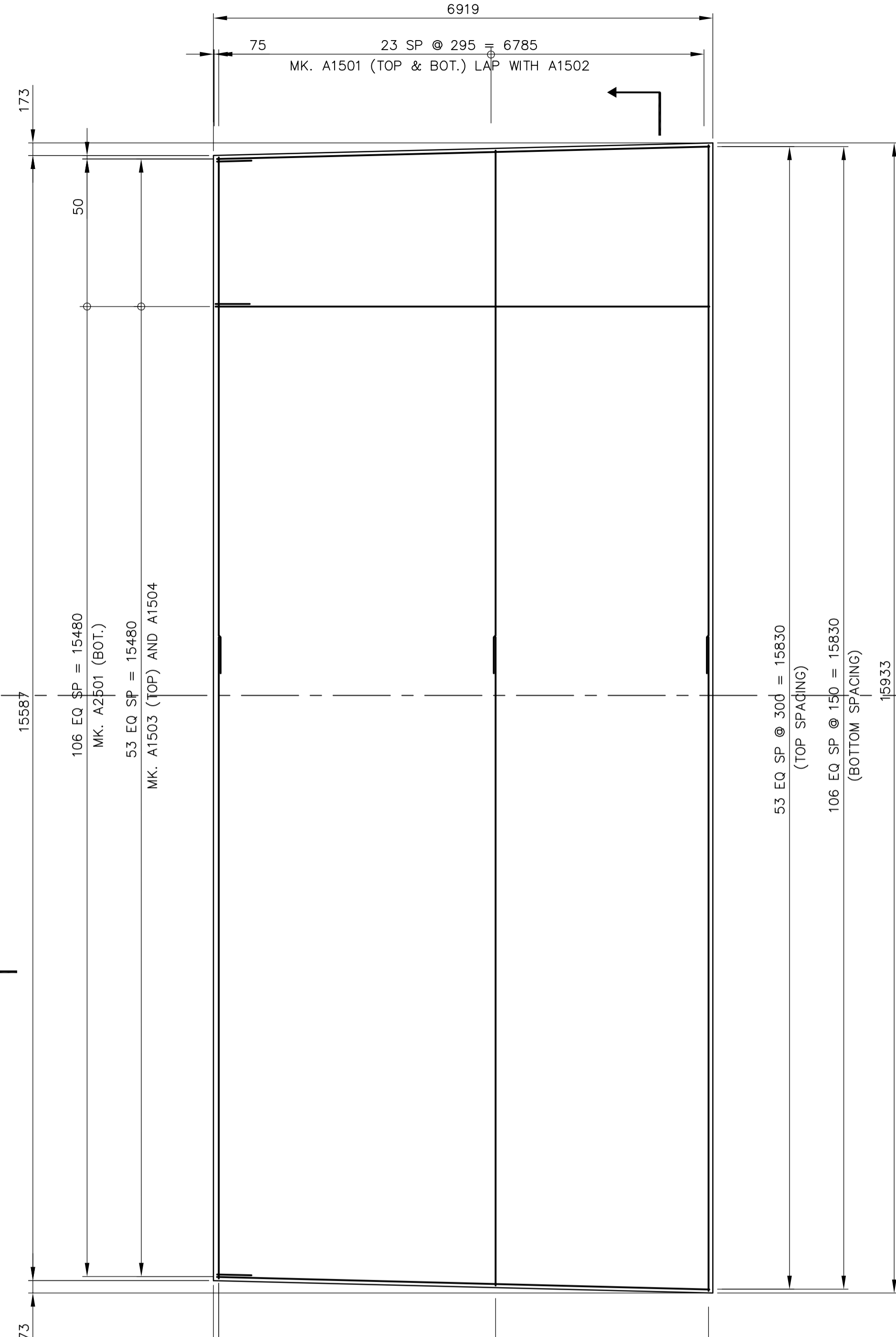
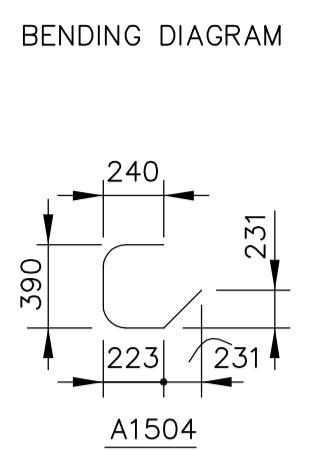


NORTH APPROACH
SCALE 1:50

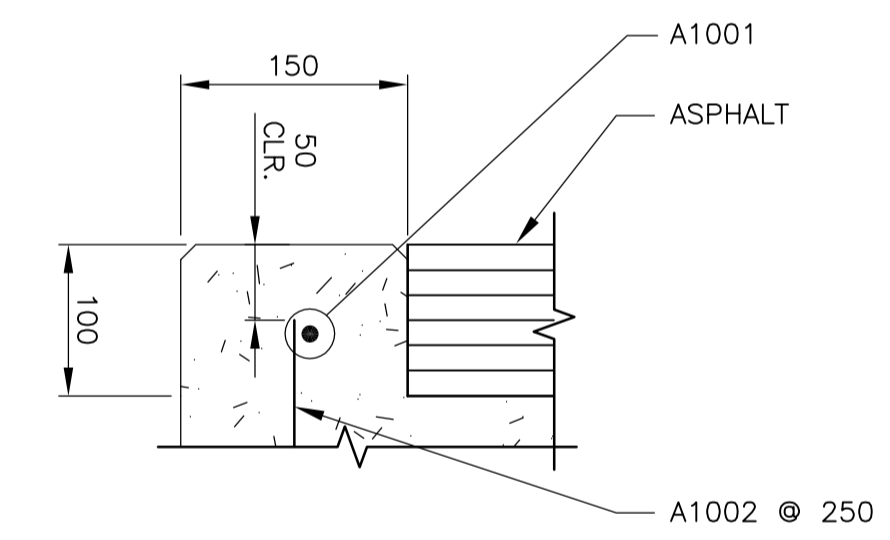


SOUTH APPROACH
SCALE 1:50

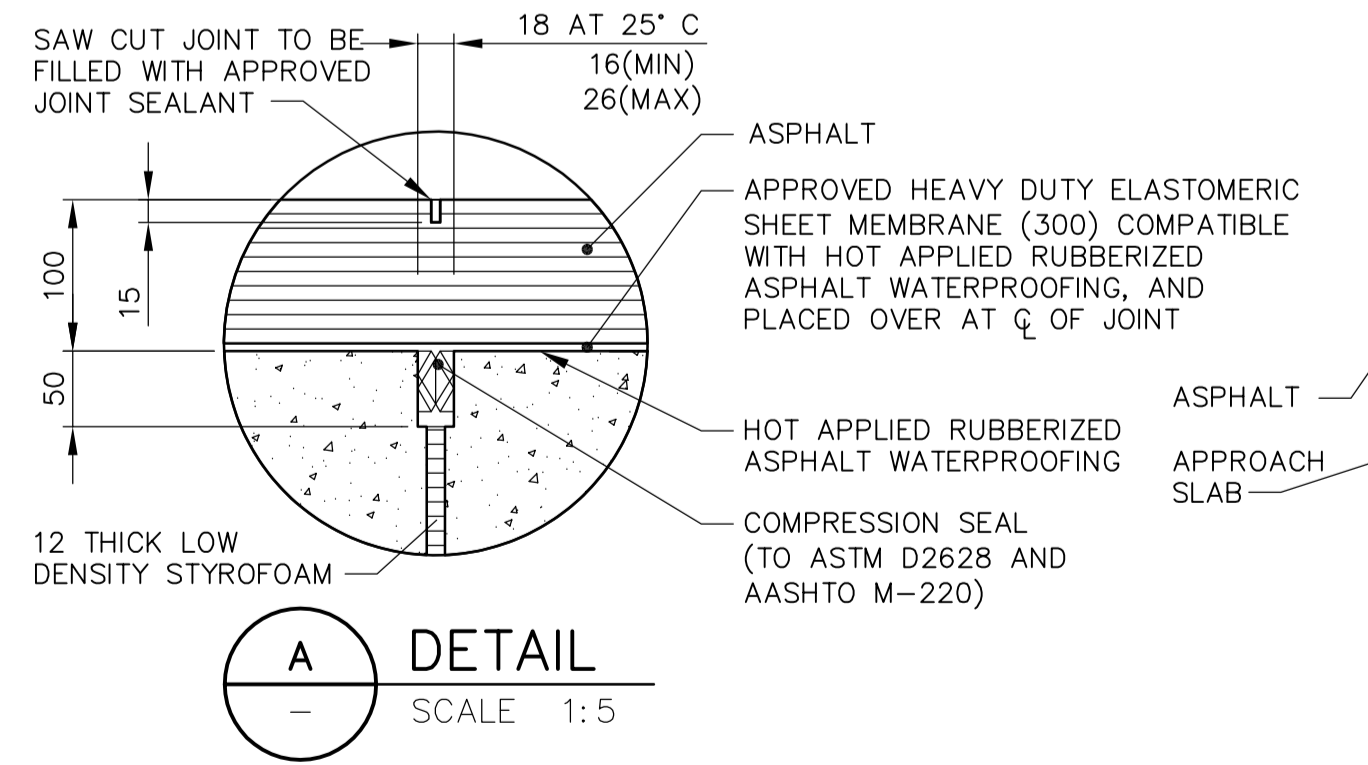
BILL OF REINFORCING STEEL FOR BOTH APPROACH							
STRAIGHT BARS			BENT BARS				
MK.	No.	LENGTH	MASS	MK.	No.	LENGTH	MASS
A1001	4	6820	22	A1504	105	1180	195
A1002	116	350	32				
A1501	96	8300	1251				
A1502	96	8300	1251				
A1503	105	6820	1129				
A2501	208	6820	5568				
TOTAL MASS OF REINFORCING STEEL							9448 kg
TOTAL VOLUME OF STRUCTURAL CONCRETE (APPROACH SLABS)							56.49 m ³



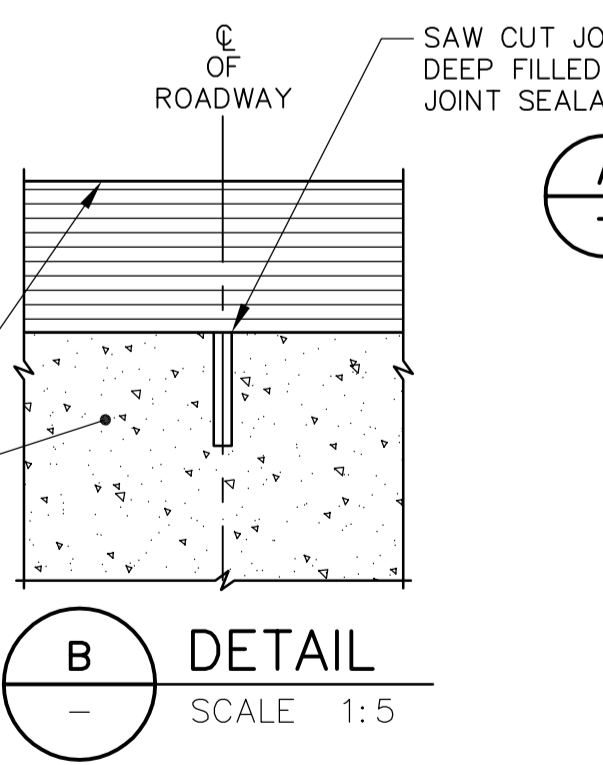
- NOTES:**
- ALL DIMENSIONS GIVEN ARE OUT TO OUT, EXCEPT RADII ARE INSIDE DIMENSIONS.
 - ALL REINFORCING STEEL SHALL BE DEFORMED REINFORCING, UNLESS NOTED OTHERWISE IN THE ABOVE BILL OF REINFORCING STEEL.
 - ALL REINFORCING STEEL SHALL CONFORM TO CAN/CSA G30.16-M92 GRADE 400W UNLESS NOTED OTHERWISE IN THE ABOVE BILL OF REINFORCING STEEL.
 - LIKE BARS SHALL BE BUNDLED, SECURELY TIED AND IDENTIFIED AS TO MARK AND SITE No. BY APPROPRIATE MEANS. ALL OTHER ITEMS SHALL BE IDENTIFIED IN A SIMILAR FASHION.



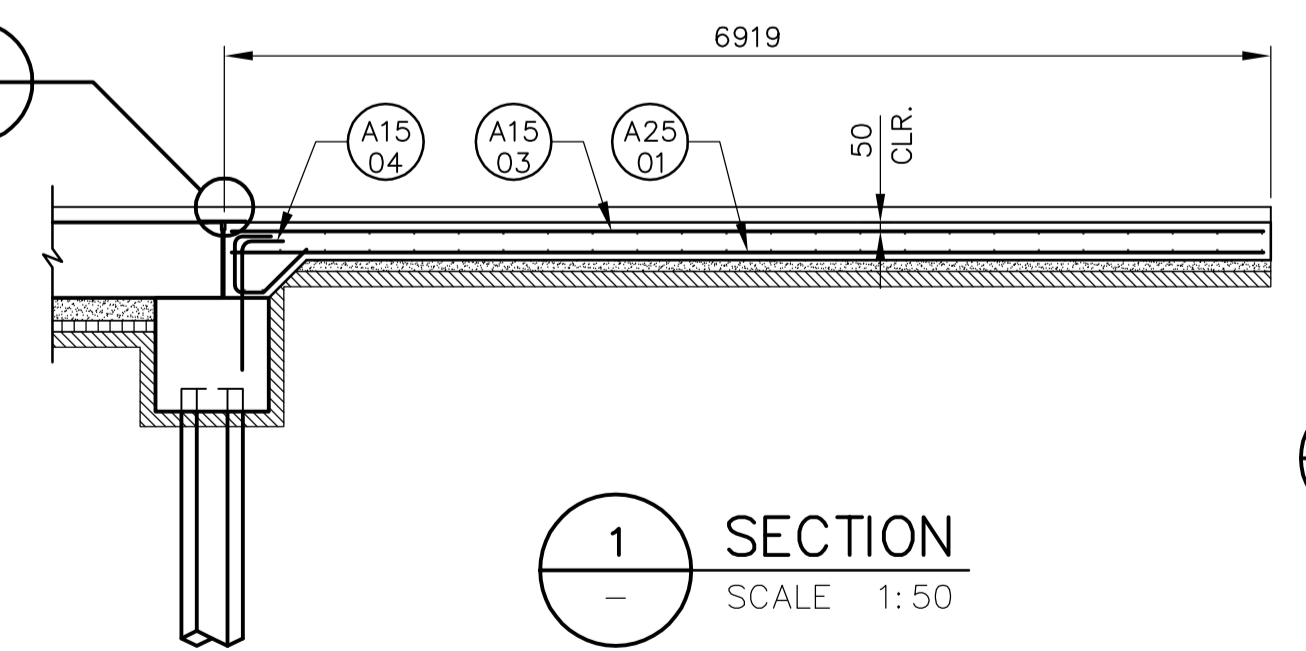
C CURB REINFORCING STEEL
SCALE 1:5



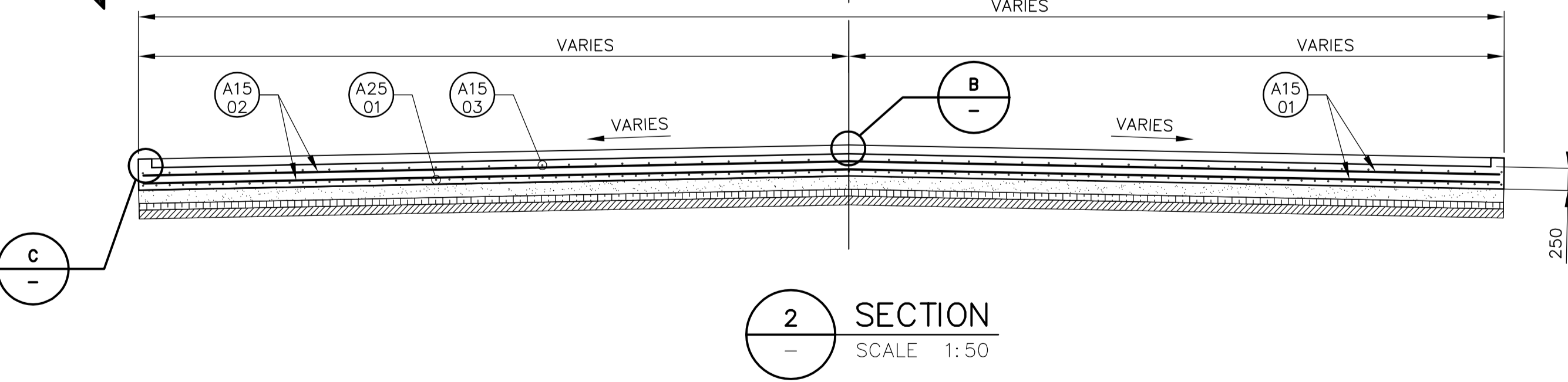
A DETAIL
SCALE 1:5



B DETAIL
SCALE 1:5



1 SECTION
SCALE 1:50



2 SECTION
SCALE 1:50

Released to the City of Winnipeg for Tendering Purposes
ORIGINAL SIGNED
Eric Christiansen P.Eng.
Director of Highway Planning & Design
Manitoba Transportation & Government Services
Date: MAY 16, 2006
MTGS Plan No. 7161

APEGM
Certificate of Authorization
Earth Tech Canada Inc.
No. 730 Expiry: April 30, 2007

NO.	REVISIONS	DATE	BY	DATE	BY
00	ISSUED FOR TENDER	06/05/16	KC		

CH2MHILL
Frederickson Cooper ARCHITECTS

EarthTech
A Tyco International Ltd. Company

DESIGNED BY: AP	CHECKED BY: EBL
DRAWN BY: KC	APPROVED BY: AHL
SCALE: AS NOTED	RELEASED FOR CONSTRUCTION BY: R. SOROKOWSKI
	DATE: May 16, 2006

ENGINEER'S SEAL
ORIGINAL SIGNED BY
ASNEE POCHANART
May 16, 2006
CONSULTANT DRAWING NO.
WN-S0453

THE CITY OF WINNIPEG
WATER AND WASTE DEPARTMENT
ENGINEERING DIVISION

WINNIPEG WATER TREATMENT
PROGRAM - PROVINCIAL ROAD #207 UPGRADE

STRUCTURAL PR #207 BRIDGE
APPROACH SLAB DETAILS

CITY FILE NUMBER
SHEET OF
CITY DRAWING NUMBER
1-0601N-A-80453-001-00D