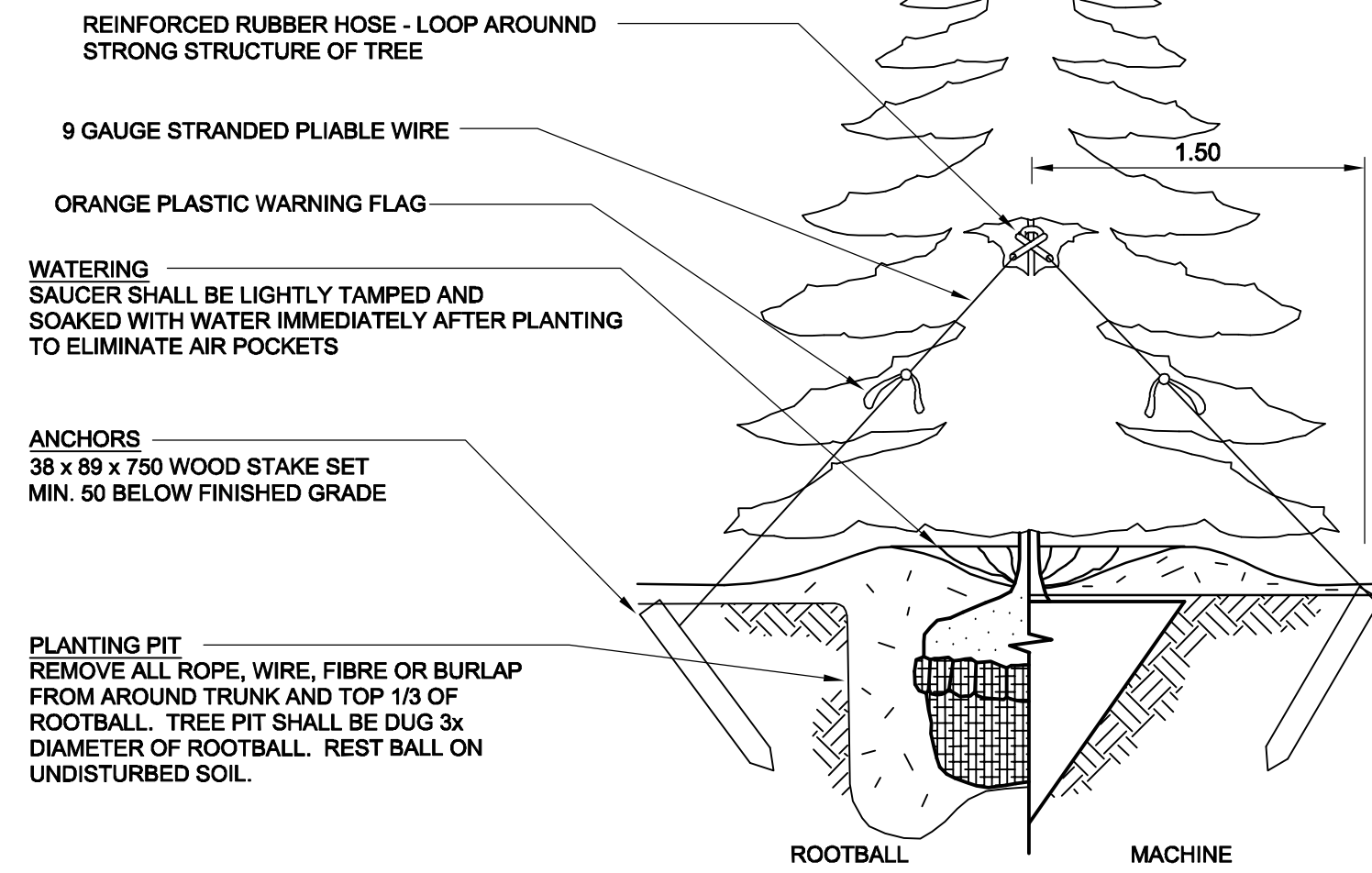


**SODDING DETAIL**

SCALE: N.T.S.

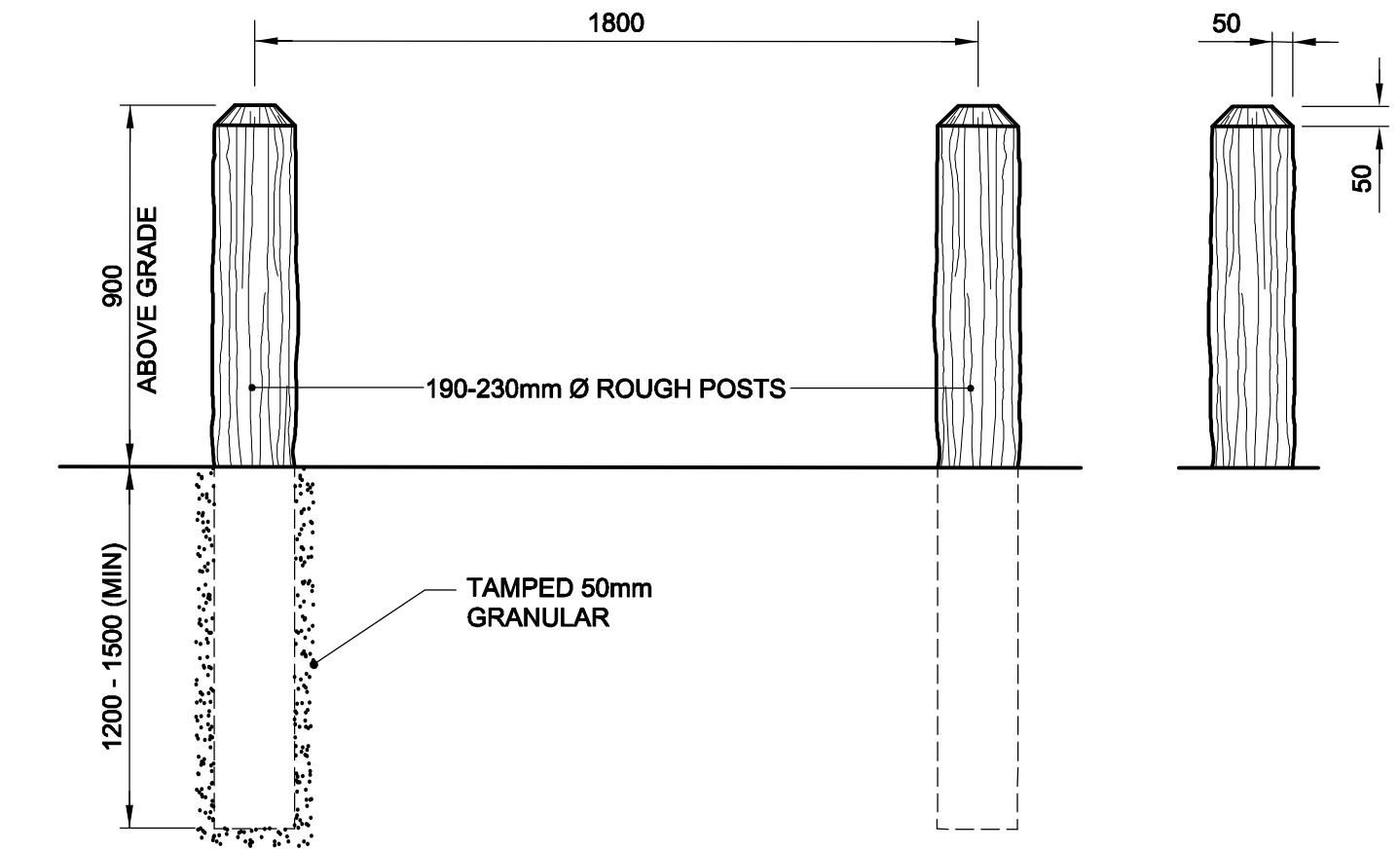
- GRASS MUST BE MOWN PRIOR TO DELIVERY OF SOD TO HEIGHT OF 50mm

**NOTES:**  
 TREE TO BE SET PLUMB  
 CONTRACTOR SHALL ALLOW FOR SOIL SETTLEMENT.



**CONIFEROUS TREE PLANTING DETAIL**

SCALE: N.T.S.

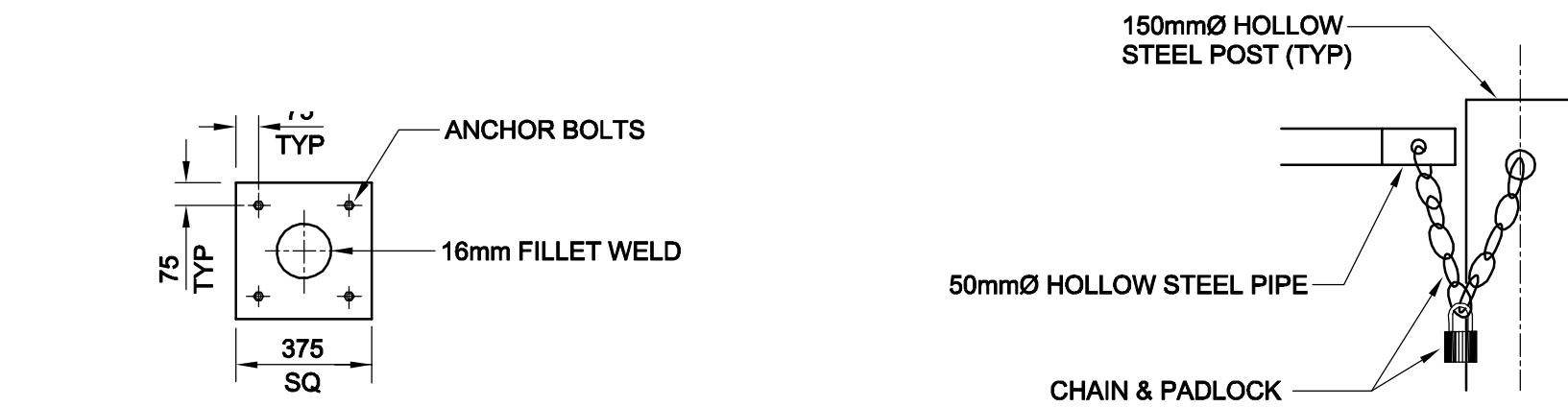
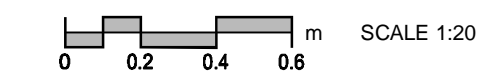


**NOTE:**

- WESTERN RED CEDAR, FREE OF BARK, SOLID CORE, AIR DRIED, PRESSURE TREATED AFTER SHAPING - OR MANITOBA PINE, FREE OF BARK, SOLID CORE, ROUGH NOT TURNED AND PRESSURE TREATED.

- ALL POSTS THOROUGHLY TAMPED AND EARTH MOUNDED APPROX. 100mm AT EACH POST FOR FUTURE SETTLEMENT. SURPLUS EARTH TO BE DISPOSED OF ALONG BOUNDARY LINE.

**POST FENCING**



**TOP VIEW OF STEEL PLATE**

SCALE: N.T.S.

**ELEVATION OF GATE END**

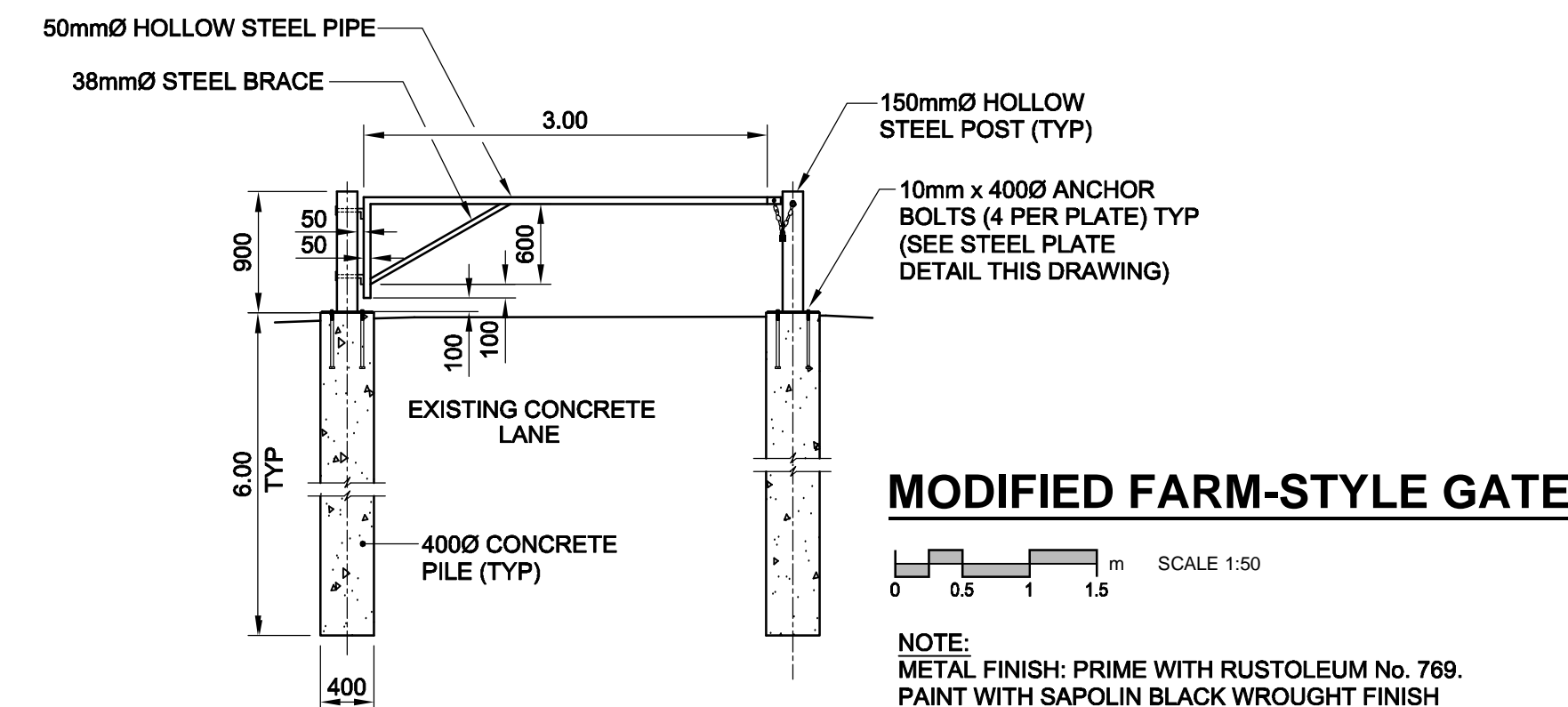
SCALE: N.T.S.

**PLANT LIST**

No.	COMMON NAME	BOTANICAL NAME	SIZE/HEIGHT	NOTES
<b>CONIFEROUS TREES</b>				
8	Morden Colorado Spruce	<i>Picea pungens 'Morden'</i>	3.6m ht.	B&B/Container
<b>CLIMBERS</b>				
22	Virginia Creeper	<i>Parthenocissus quinquefolia</i>	2 yr. healthy, vigorous growth	Container

**SPECIFICATION:** All plant material to be supplied and installed in accordance with the latest edition of Landscape Canada's Metric Guide Specifications for Nursery Stock.

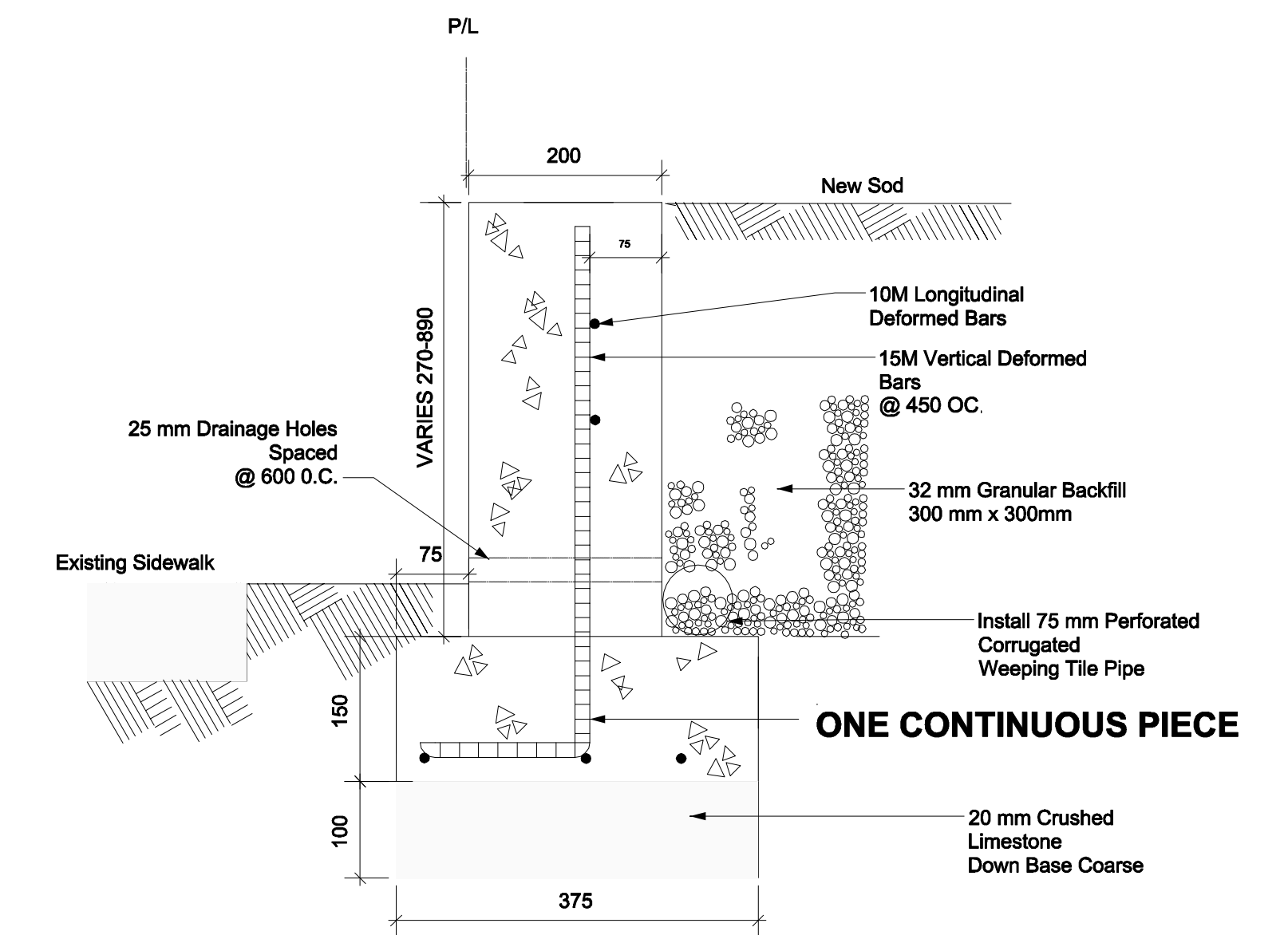
**NOTE:** SEE PLANTING DETAILS, SHEET P-3258-208



**MODIFIED FARM-STYLE GATE**



**NOTE:**  
 METAL FINISH: PRIME WITH RUSTOLEUM No. 769.  
 PAINT WITH SAPOLIN BLACK WROUGHT FINISH



**ALTERNATE "L" BAR AT EVERY OFFSET**

**LOCATION APPROVED UNDERGROUND STRUCTURES**

SUPR. U/G STRUCTURES	DATE	COMMITTEE

**NOTE:**  
 LOCATION OF UNDERGROUND STRUCTURES AS SHOWN ARE BASED ON THE BEST INFORMATION AVAILABLE. BUT NO GUARANTEE IS GIVEN THAT ALL EXISTING UTILITIES ARE SHOWN OR THAT THE GIVEN LOCATIONS ARE EXACT. CONFIRMATION OF EXISTENCE AND EXACT LOCATION OF ALL SERVICES MUST BE OBTAINED FROM THE INDIVIDUAL UTILITIES BEFORE PROCEEDING WITH CONSTRUCTION.

DESIGNED BY			CHECKED BY		
DKH			DKH		
DRAWN BY			APPROVED BY		
WJd			WJd		
HOR. SCALE			VERT. SCALE		
1:250			-		
NO. REVISIONS			DATE		

PROFESSIONAL'S SEAL

WAS SEALED BY DONALD K. HESTER AND DATED 14/07/2006

CONSULTANT DRAWING NO. 08  
 0265-378-00

TENDER NO. 225-2006

**THE CITY OF WINNIPEG PUBLIC WORKS DEPARTMENT**

**LUXTON COMMUNITY CENTRE SITE DEVELOPMENT PROJECT**  
 Luxton / St. John's Park / Seven Oaks

Building Communities Initiative Plan  
 PLANTING DETAILS

CITY DRAWING NUMBER	
SHEET 8 OF 8	
REV L8	D