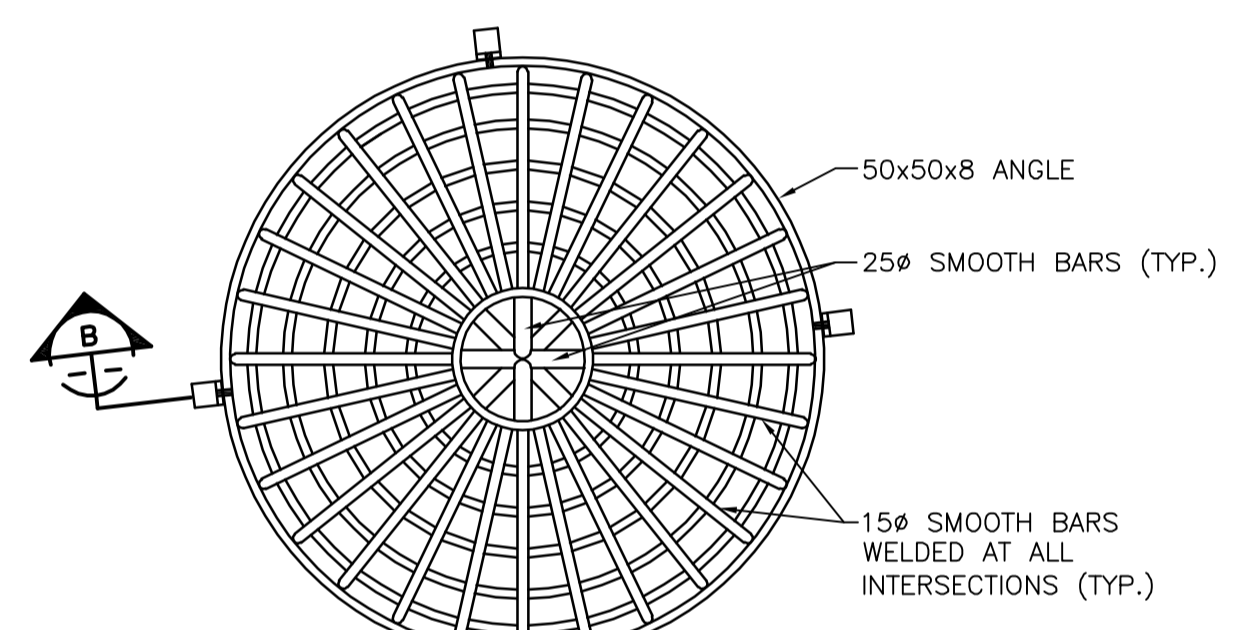
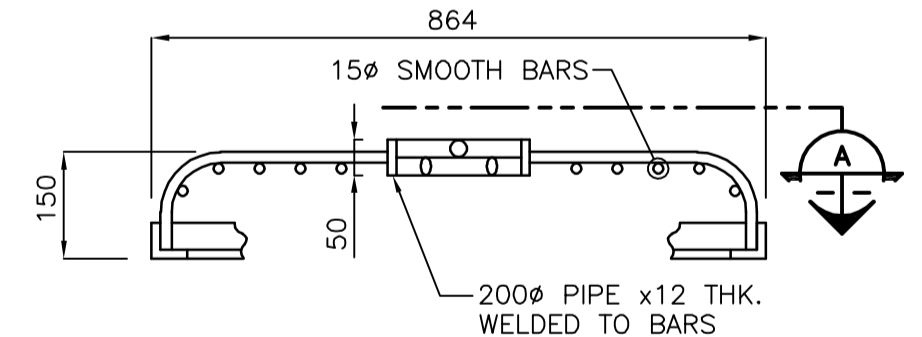


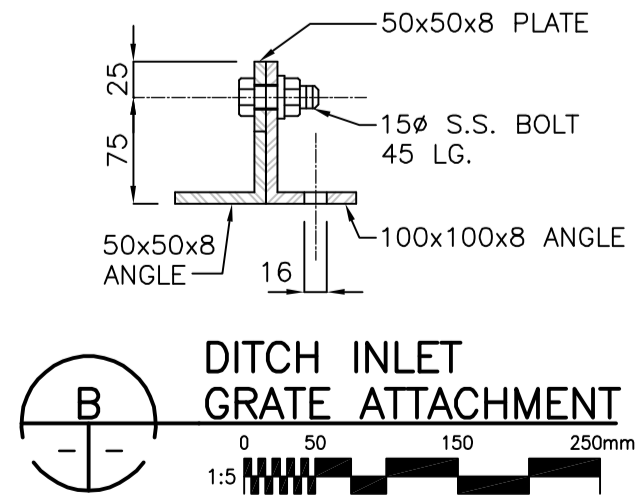
DITCH CATCHBASIN DETAIL
1:25



DITCH INLET GRATE DETAIL
1:10

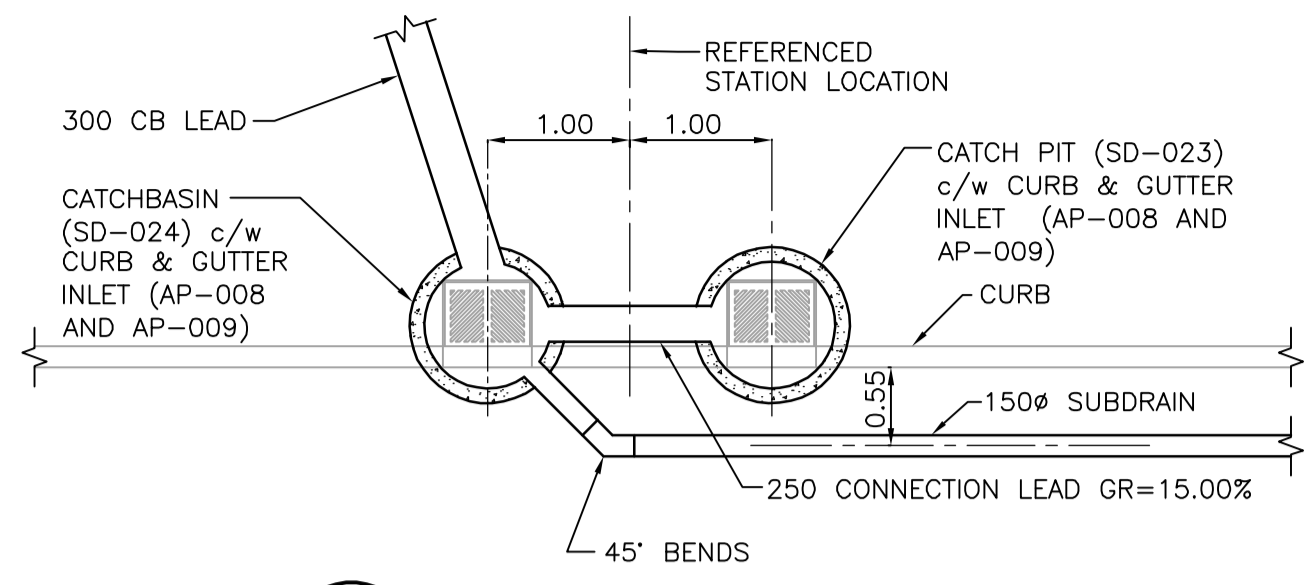


DITCH INLET GRATE ATTACHMENT
1:5

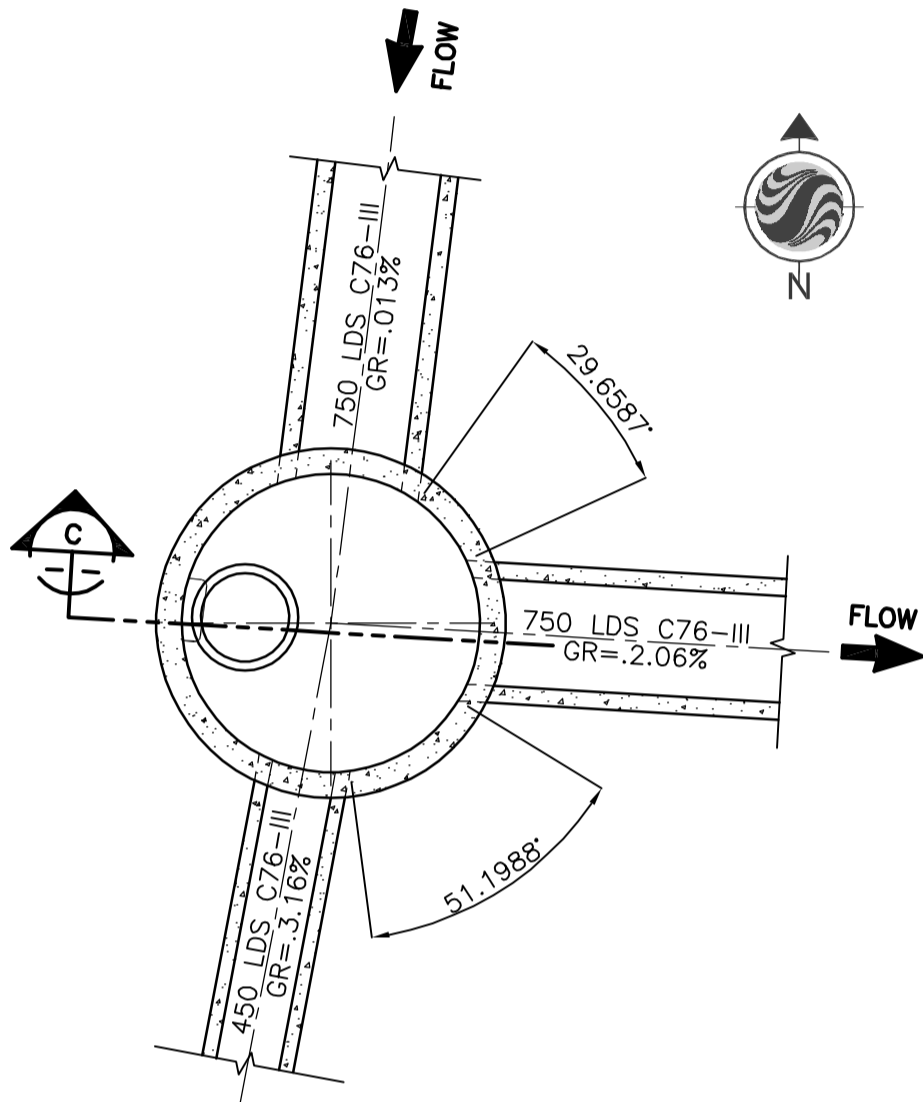


DITCH INLET GRATE ATTACHMENT
1:5

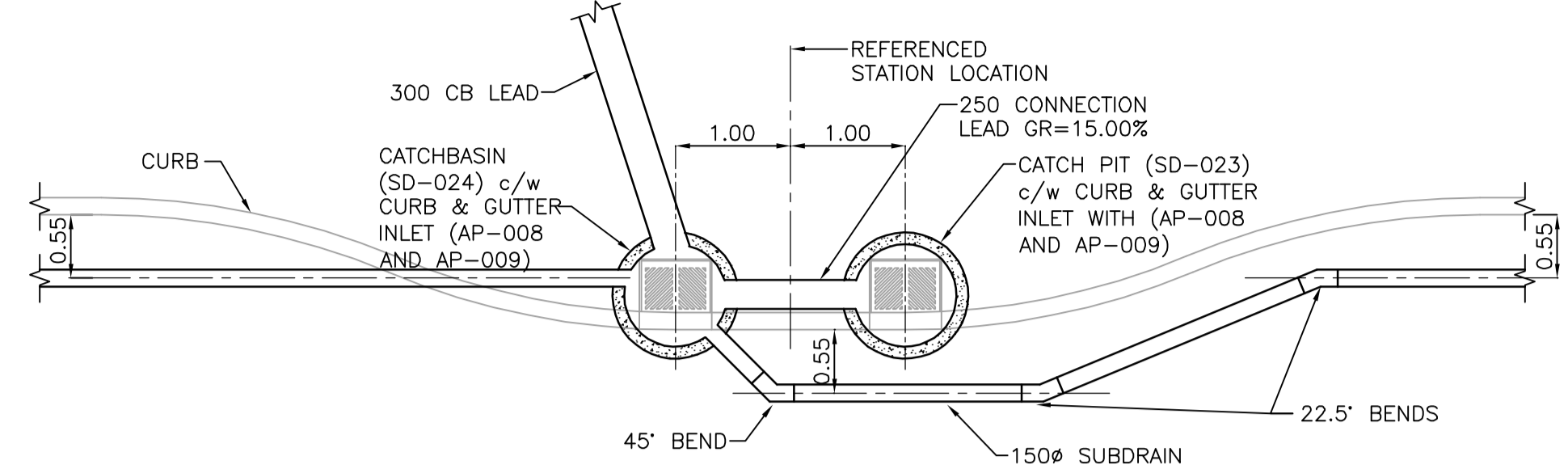
NOTES:
DITCH INLET GRATE TO BE SHOPOST IRONWORKS MK. A1 OR APPROVED EQUAL. GALVANIZE ENTIRE ASSEMBLY AFTER FABRICATION.



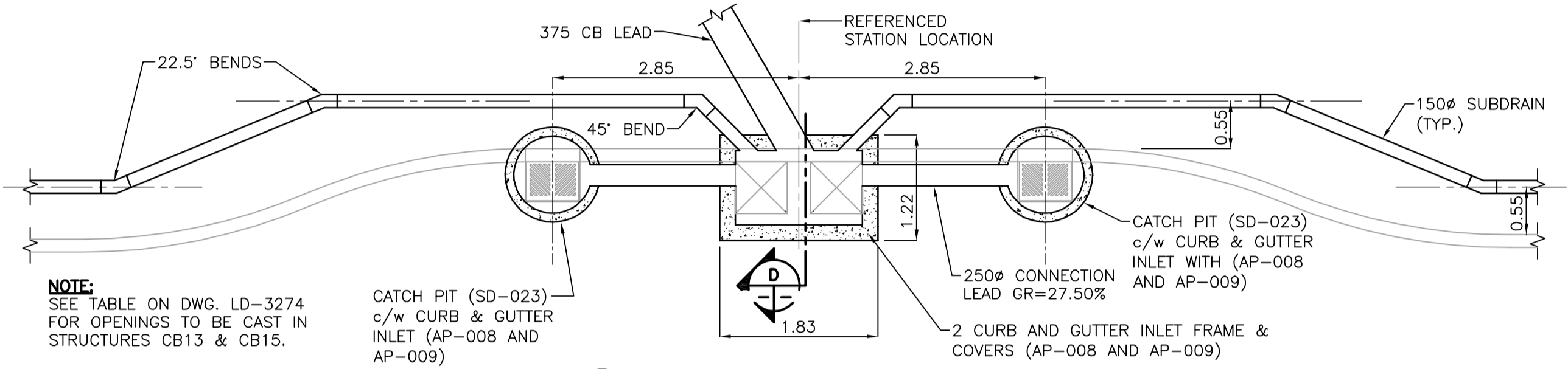
DUAL INLETS WITH LEADS
1:50



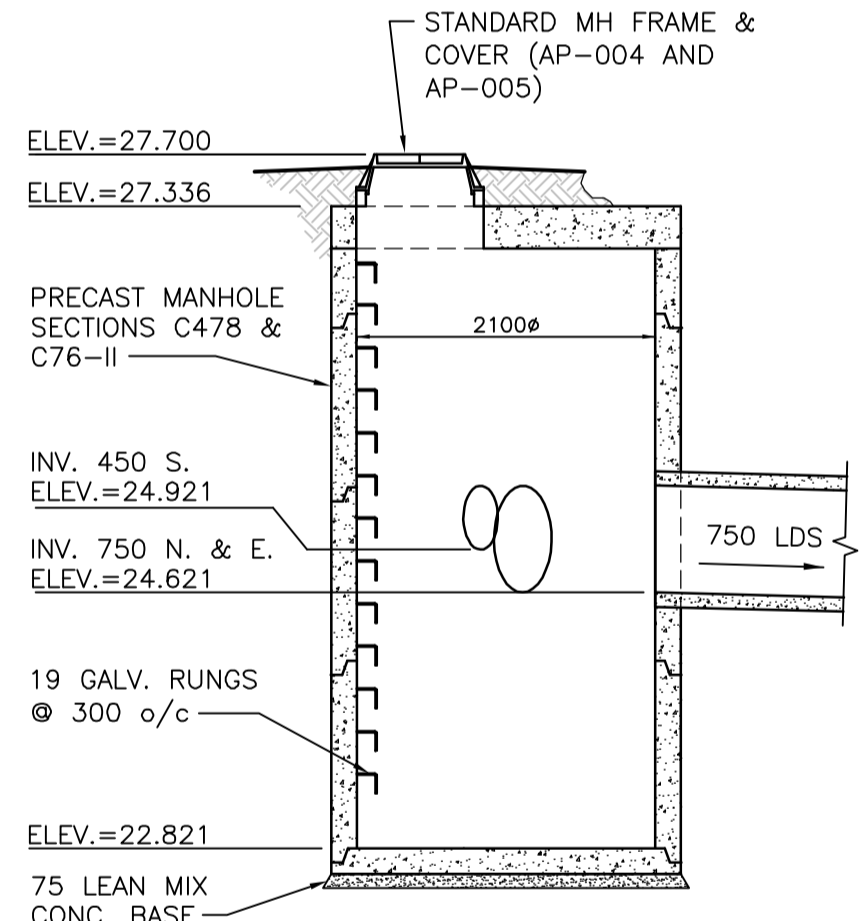
GRIT CHAMBER
1:50



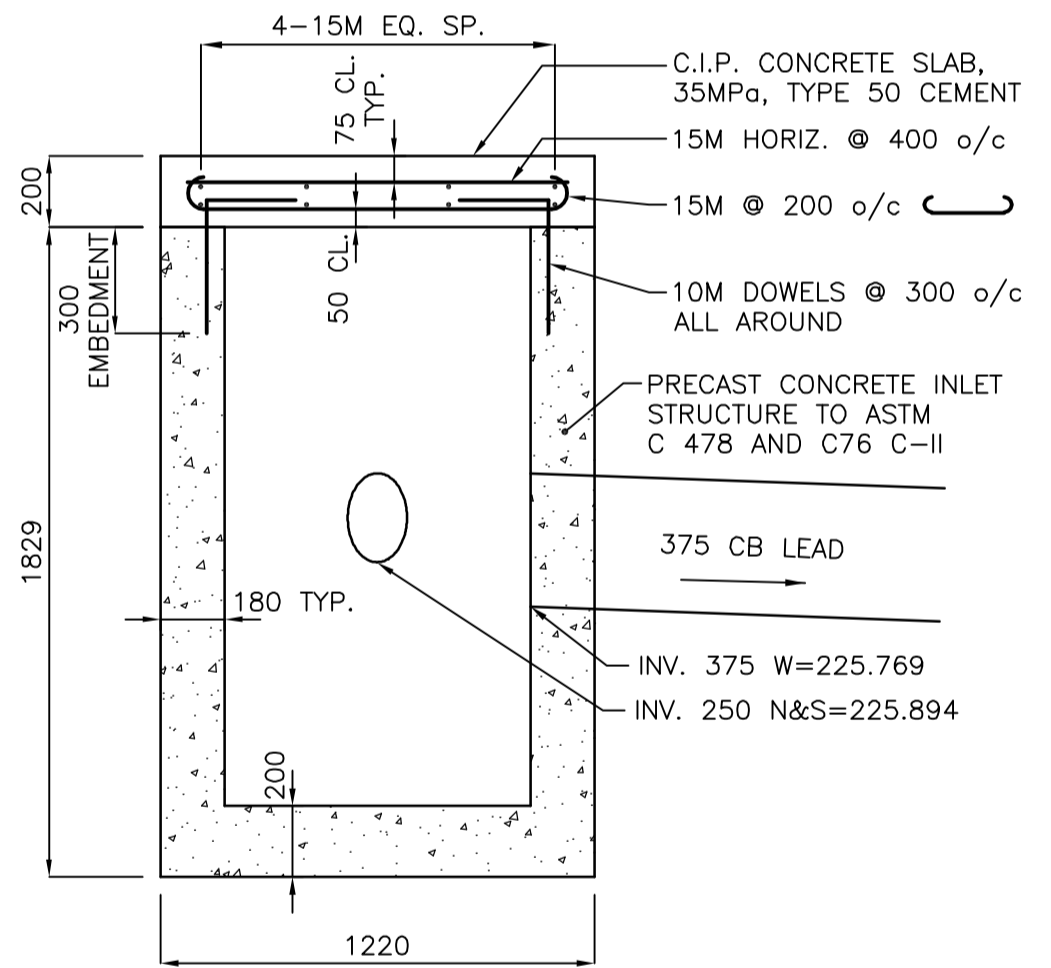
DUAL INLETS WITH LEADS
1:50



PRECAST SAG INLET STRUCTURE
(NORTH BOUND SAG INLET SHOWN, SOUTH BOUND SIMILAR)
1:50



SECTION
1:50



SECTION
1:20
(INLET GRATING AND SUBDRAINS NOT SHOWN)

METRIC
WHOLE NUMBERS INDICATE MILLIMETRES
DECIMALIZED NUMBERS INDICATE METRES

WARNING
IF POWER EQUIPMENT OR EXPLOSIVES ARE TO BE USED FOR EXCAVATION ON THIS PROJECT THE CONTRACTOR MUST:
1) NOTIFY THE GAS COMPANY OF THE PROPOSED LOCATION OF EXCAVATION.
2) TAKE PRECAUTION TO AVOID DAMAGE TO GAS COMPANY INSTALLATIONS.
SEE PROVINCIAL REGULATION 140/92 FOR DETAILS



LOCATION APPROVED UNDERGROUND STRUCTURES		B.M. ELEV.
SUP. U/G STRUCTURES COMMITTEE	DATE	
NOTE: LOCATION OF UNDERGROUND STRUCTURES AS SHOWN ARE BASED ON THE BEST INFORMATION AVAILABLE BUT NO GUARANTEE IS GIVEN THAT ALL EXISTING UTILITIES ARE SHOWN OR THAT THE GIVEN LOCATIONS ARE EXACT. CONFIRMATION OF EXISTENCE AND EXACT LOCATION OF ALL SERVICES MUST BE OBTAINED FROM THE INDIVIDUAL UTILITIES BEFORE PROCEEDING WITH CONSTRUCTION.		
NO.	REVISIONS	DATE
0	ISSUED FOR TENDER	06.03.03 AJR
		06.01.15

Stantec Consulting Ltd.	
905 Waverley Street, Winnipeg, Manitoba Tel 204-489-5900 Fax 204-453-9012	
DESIGNED BY: JKH	CHECKED BY: DGM
DRAWN BY: TAG	APPROVED BY: AJR
HOR. SCALE: 1:500	AUTHORIZED BY: R. FINGAS 06.03.03
VERTICAL: 1:50	R. FINGAS, P. ENG. BRIDGE PROJECTS ENGINEER

ENGINEER'S SEAL
ORIGINAL SEALED BY: A.J. RAPOSO P. ENG. 06.03.03
CONSULTANT DRAWING NO. I13703042-U27

THE CITY OF WINNIPEG
PUBLIC WORKS DEPARTMENT
ENGINEERING DIVISION

Winnipeg

KENASTON UNDERPASS PROJECT
KENASTON BOULEVARD RECONSTRUCTION

KENASTON BOULEVARD LAND DRAINAGE SYSTEM
MISCELLANEOUS UNDERGROUND DETAILS

SHEET **41** OF **52**
CAD FILE DRAWING NUMBER ku-41-42-665.dwg
CITY DRAWING NUMBER LD-3276