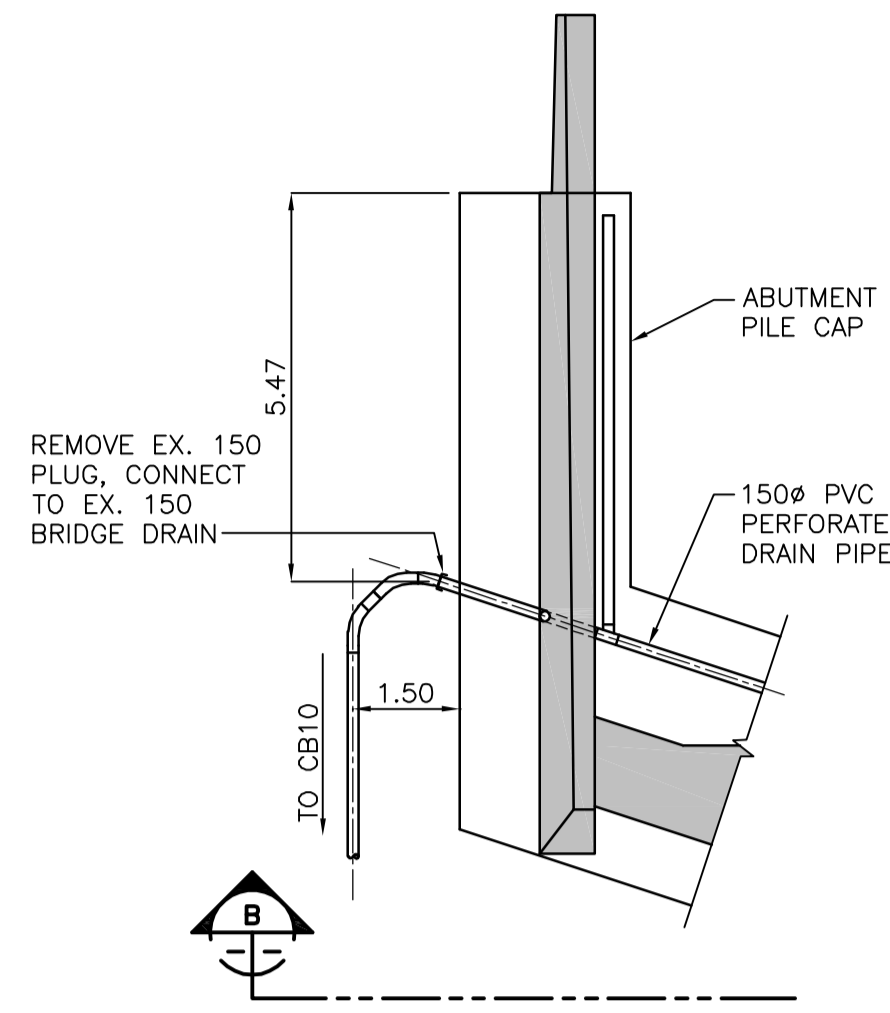
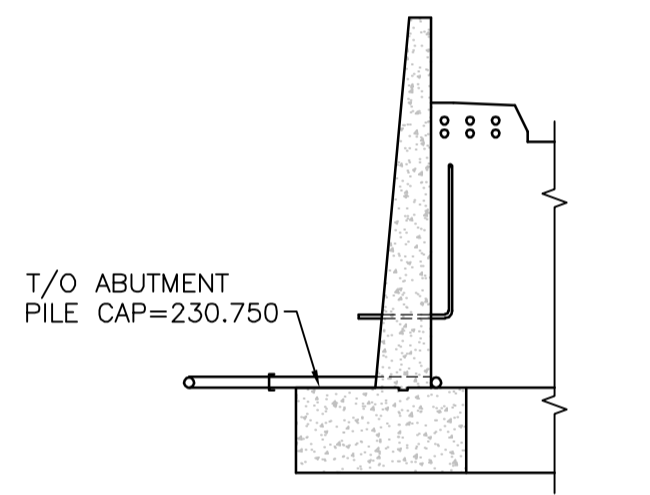


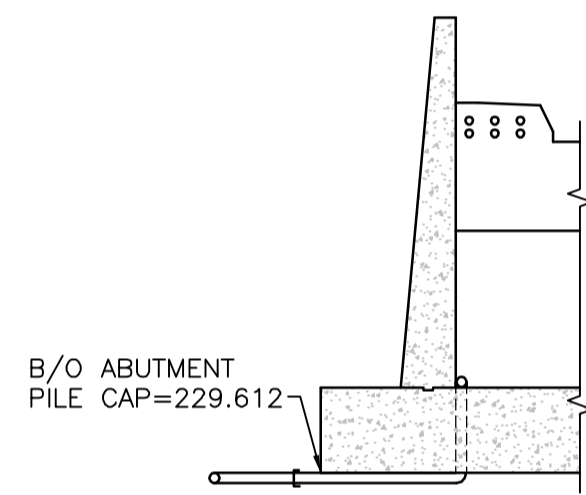
6 BACKWALL PLAN SOUTH EAST ABUTMENT  
1:100



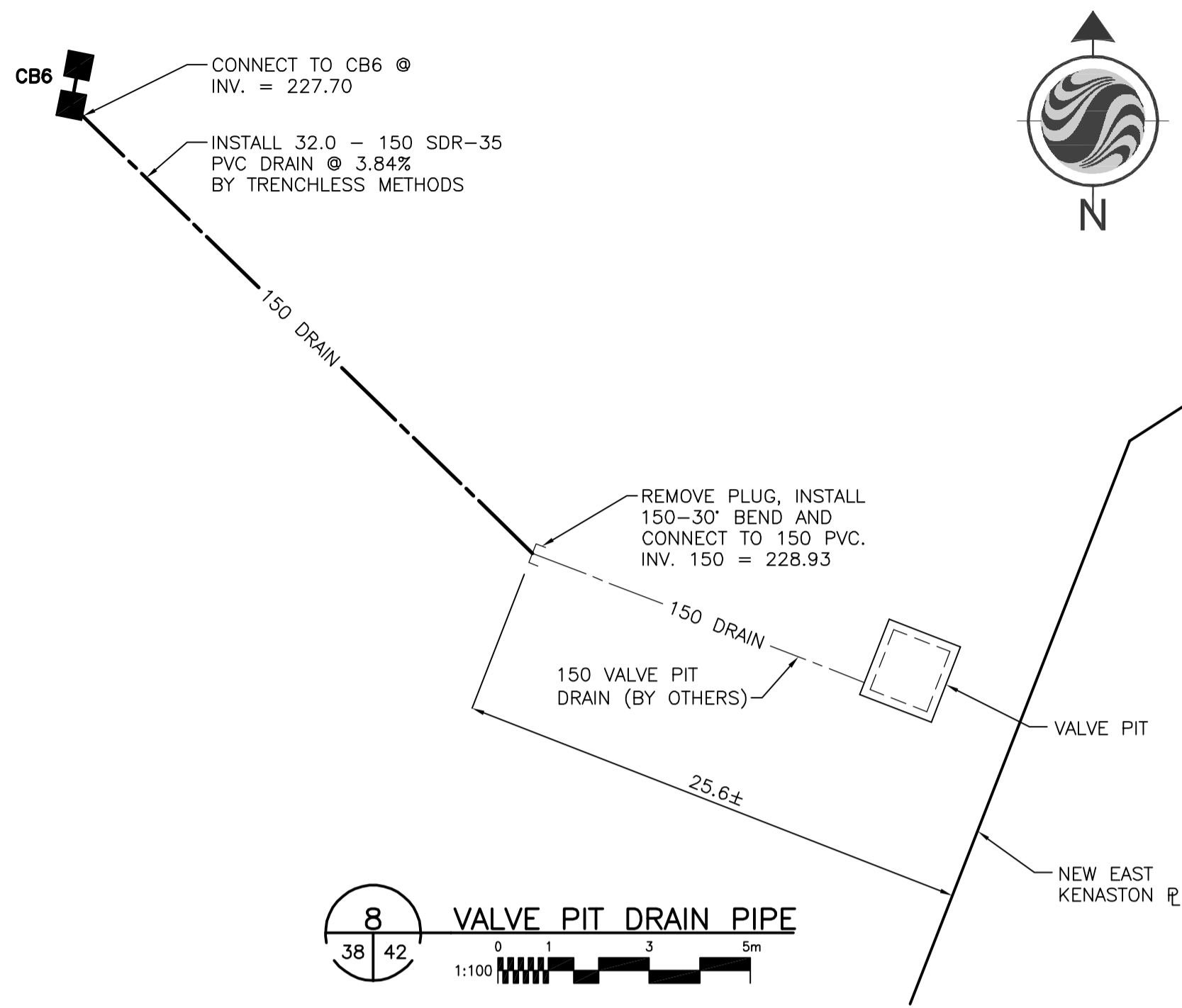
7 SOUTH WEST ABUTMENT BACKWALL DETAIL  
1:100



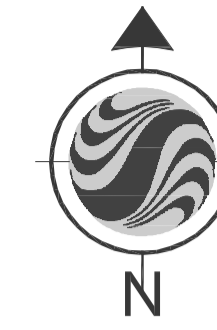
A SOUTH EAST ABUTMENT ELEVATION  
1:100



B SOUTH WEST ABUTMENT BACKWALL ELEVATION  
1:100



8 VALVE PIT DRAIN PIPE  
1:100



**APEGM**  
Certificate of Authorization  
Stantec Consulting Ltd.  
No. 1301 Expiry: April 30, 2006

**METRIC**  
WHOLE NUMBERS INDICATE MILLIMETRES  
DECIMALIZED NUMBERS INDICATE METRES

**WARNING**

IF POWER EQUIPMENT OR EXPLOSIVES ARE TO BE USED FOR EXCAVATION ON THIS PROJECT THE CONTRACTOR MUST:  
1) NOTIFY THE GAS COMPANY OF THE PROPOSED LOCATION OF EXCAVATION.  
2) TAKE PRECAUTION TO AVOID DAMAGE TO GAS COMPANY INSTALLATIONS.  
SEE PROVINCIAL REGULATION 140/92 FOR DETAILS

LOCATION APPROVED UNDERGROUND STRUCTURES		B.M. ELEV.	
SUPV. U/G STRUCTURES COMMITTEE	DATE		
NOTE: LOCATION OF UNDERGROUND STRUCTURES AS SHOWN ARE BASED ON THE BEST INFORMATION AVAILABLE BUT NO GUARANTEE IS GIVEN THAT ALL EXISTING UTILITIES ARE SHOWN OR THAT THE GIVEN LOCATIONS ARE EXACT. CONFIRMATION OF EXISTENCE AND EXACT LOCATION OF ALL SERVICES MUST BE OBTAINED FROM THE INDIVIDUAL UTILITIES BEFORE PROCEEDING WITH CONSTRUCTION.			
NO.	REVISIONS	DATE	BY
0	ISSUED FOR TENDER	06.03.03	AJR

**Stantec Consulting Ltd.**  
905 Waverley Street, Winnipeg, Manitoba  
Tel 204-489-5900 Fax 204-453-9012

DESIGNED BY	JKH	CHECKED BY	DGM
DRAWN BY	TAG	APPROVED BY	AJR
HOR. SCALE:	1:500	AUTHORIZED BY:	DATE
VERTICAL:	1:50	R. FINGAS, P. ENG.	06.03.03
		BRIDGE PROJECTS ENGINEER	

ENGINEER'S SEAL  
ORIGINAL SEALED BY  
A.J. RAPOSO  
P. ENG.  
06.03.03  
CONSULTANT DRAWING NO.  
113703042-U28

**THE CITY OF WINNIPEG**  
PUBLIC WORKS DEPARTMENT  
ENGINEERING DIVISION

**Winnipeg**

**KENASTON UNDERPASS PROJECT**  
KENASTON BOULEVARD RECONSTRUCTION

**KENASTON BOULEVARD**  
LAND DRAINAGE SYSTEM  
MISCELLANEOUS UNDERGROUND DETAILS

SHEET	42	OF	52
CAD FILE DRAWING NUMBER	ku-41-42-665.dwg		
CITY DRAWING NUMBER	LD-3277		