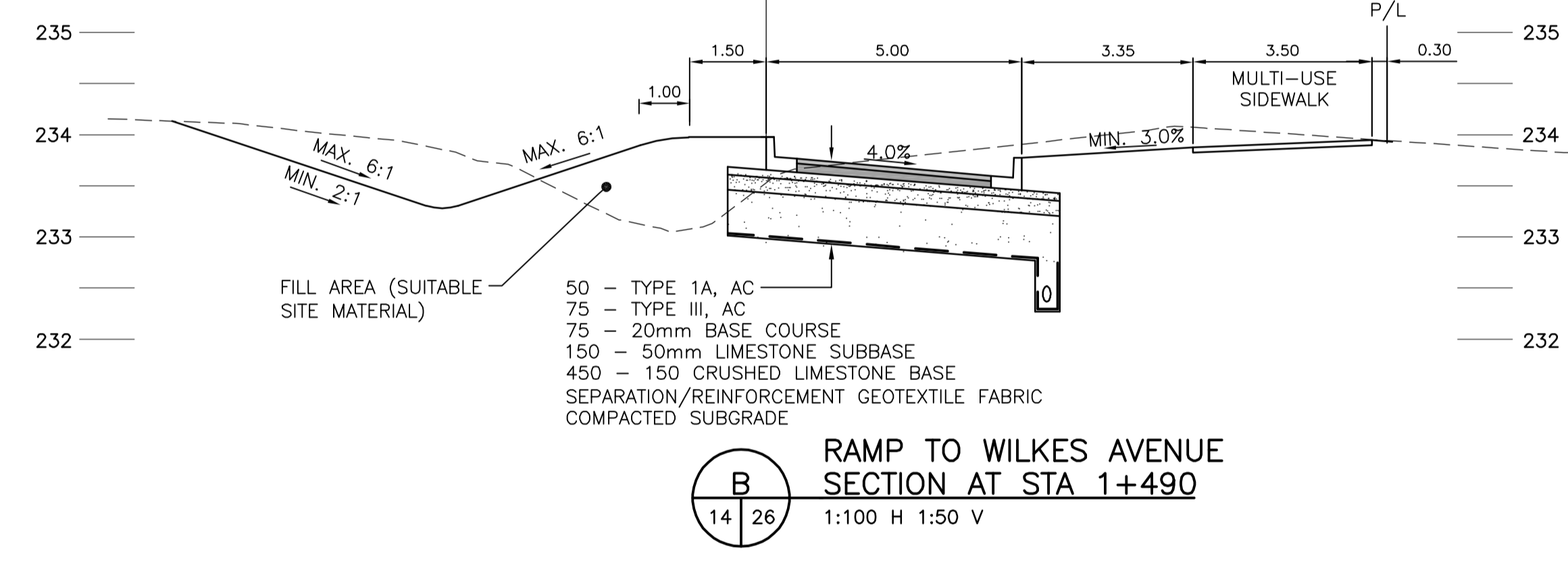
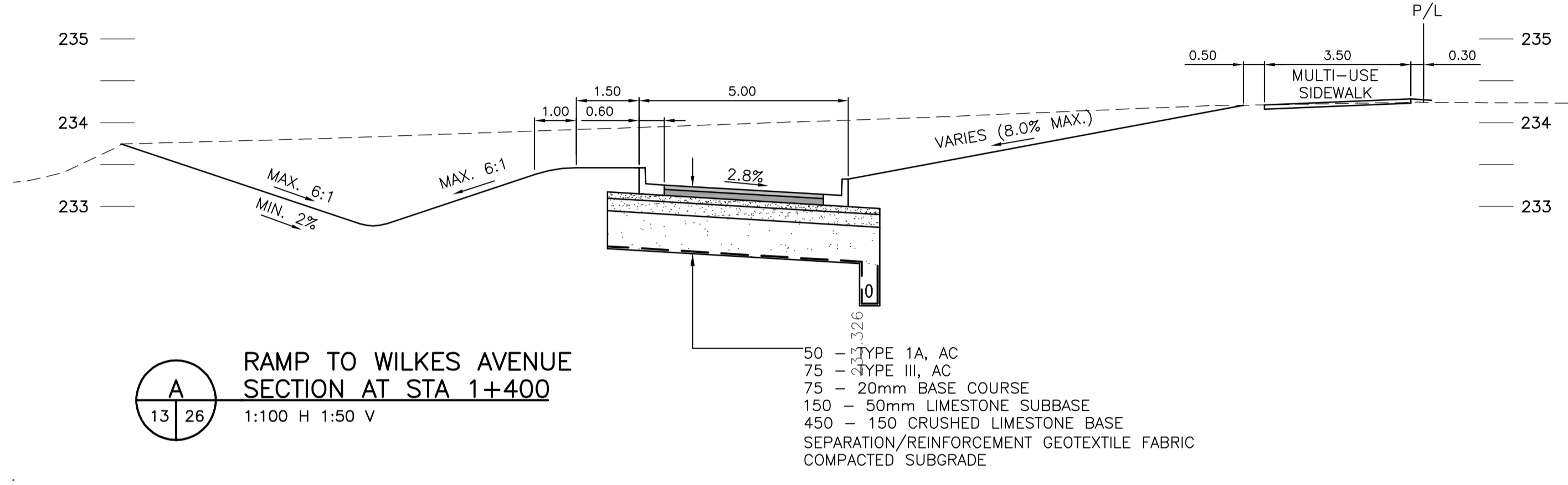
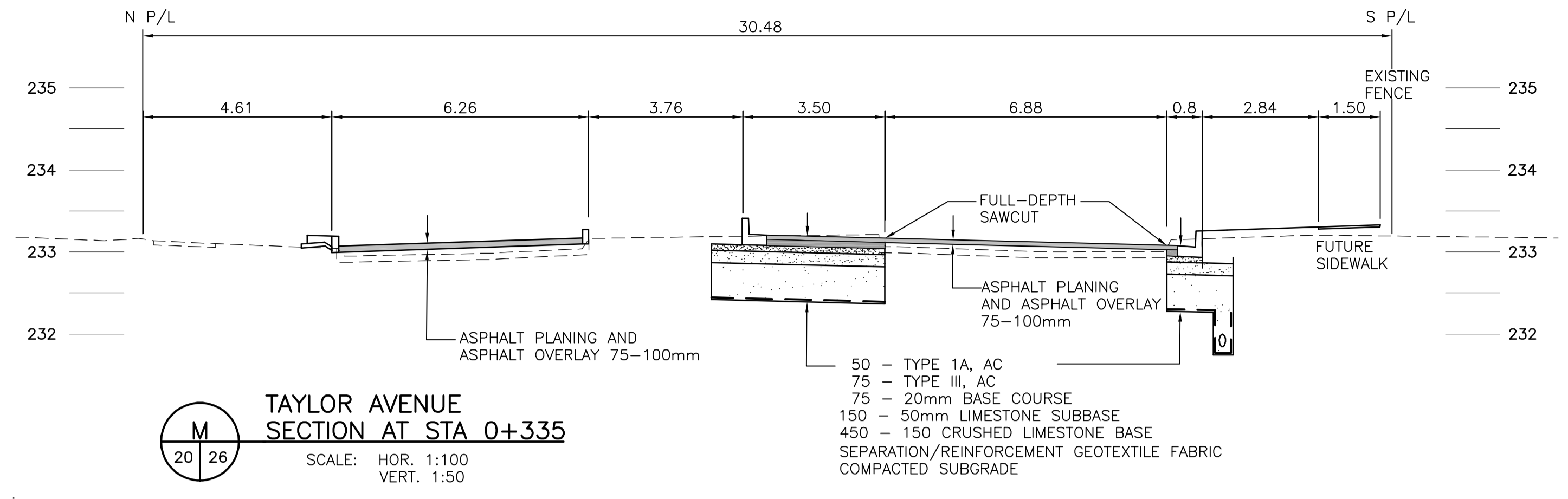
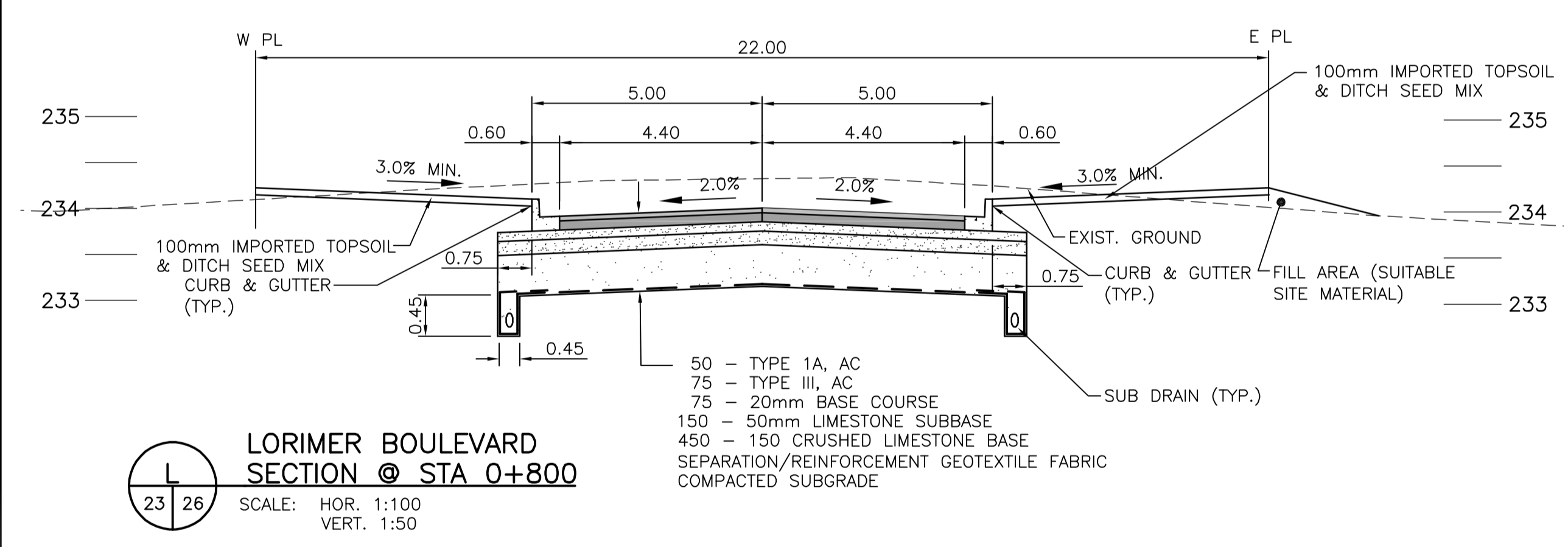
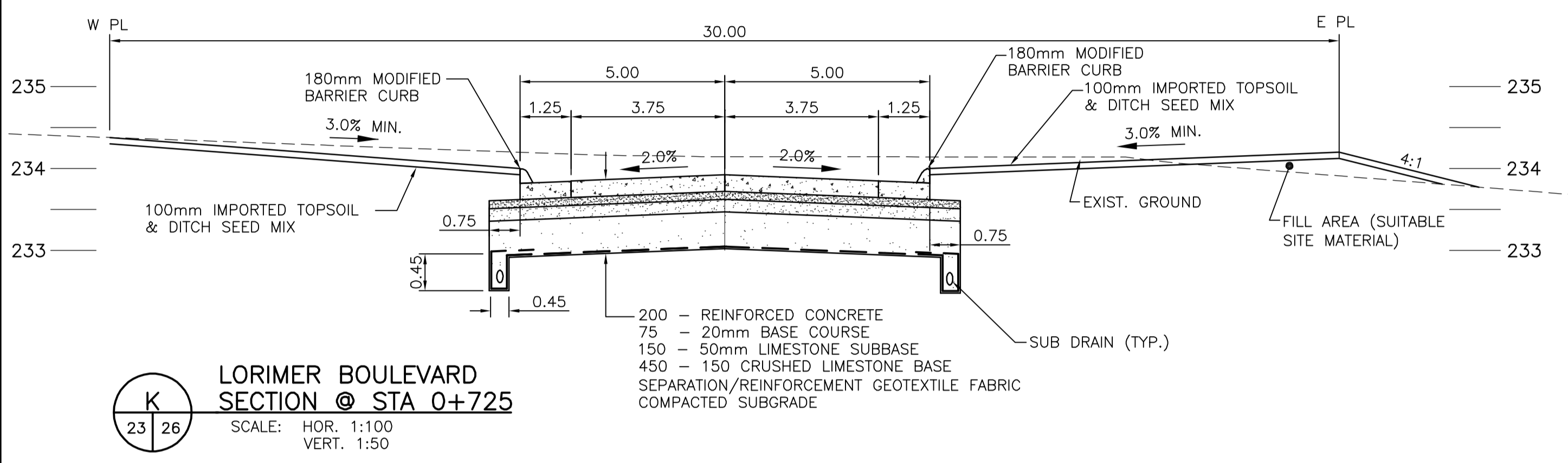
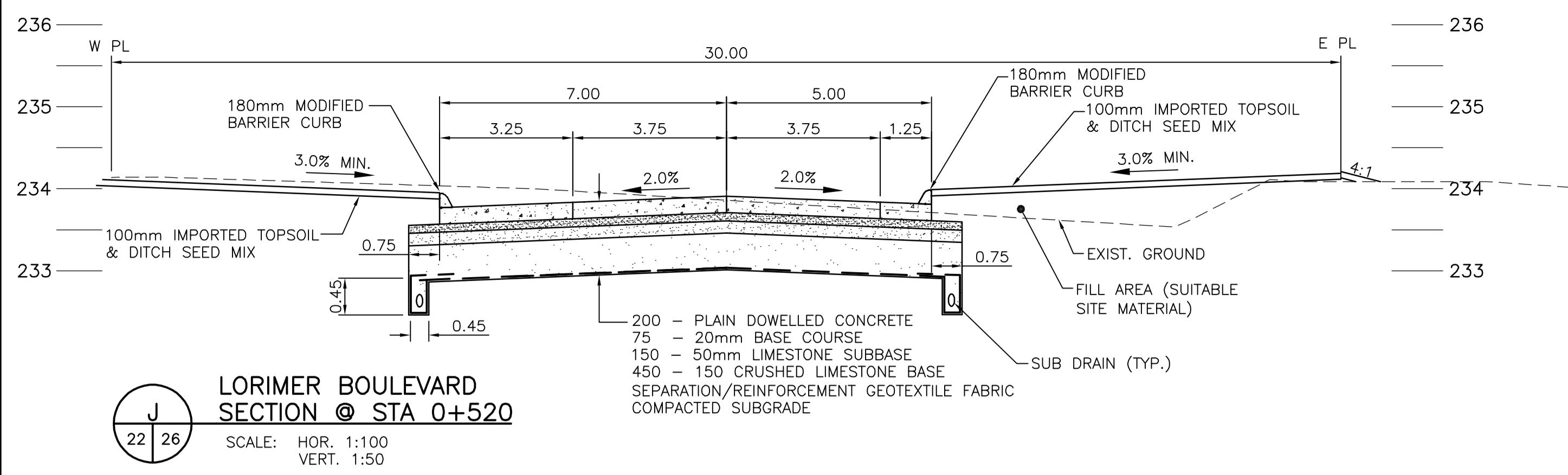
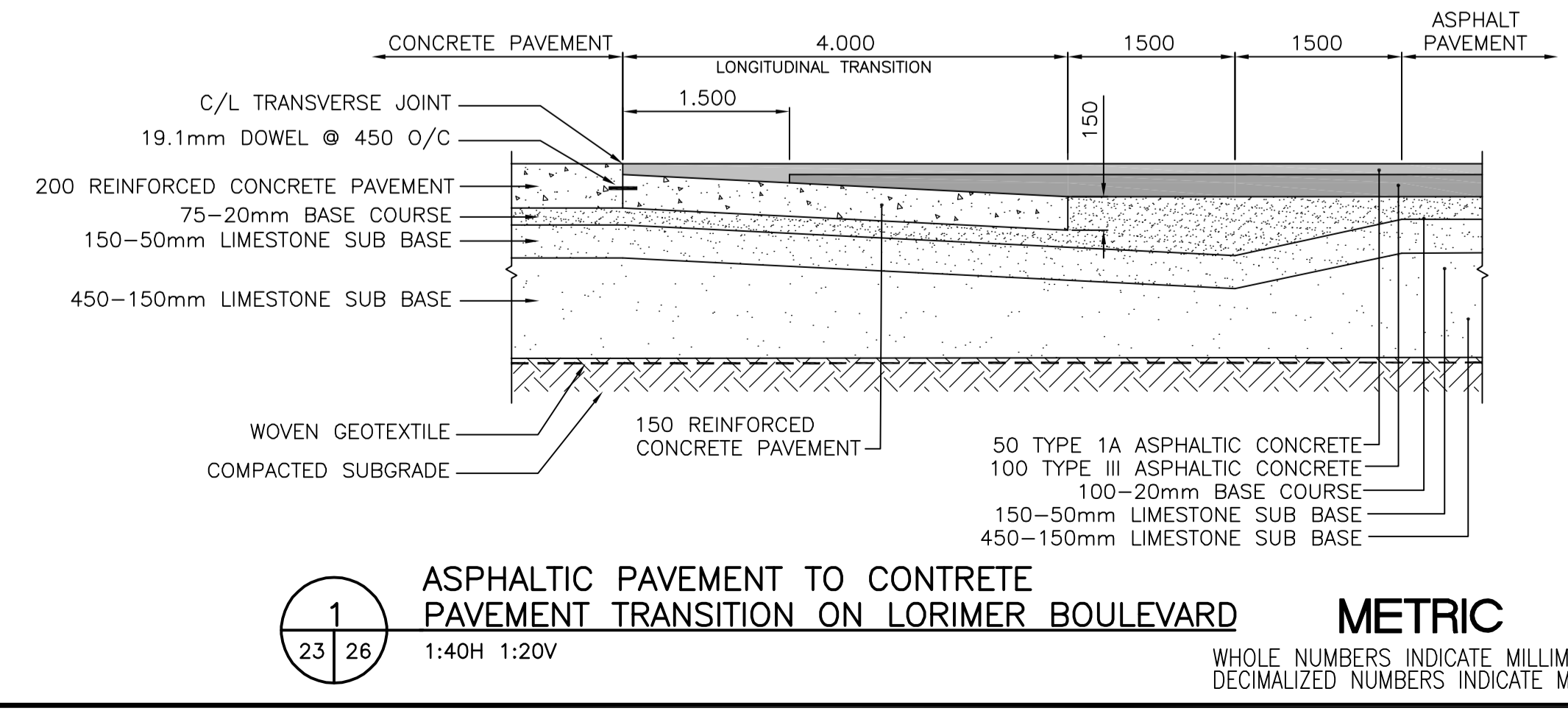
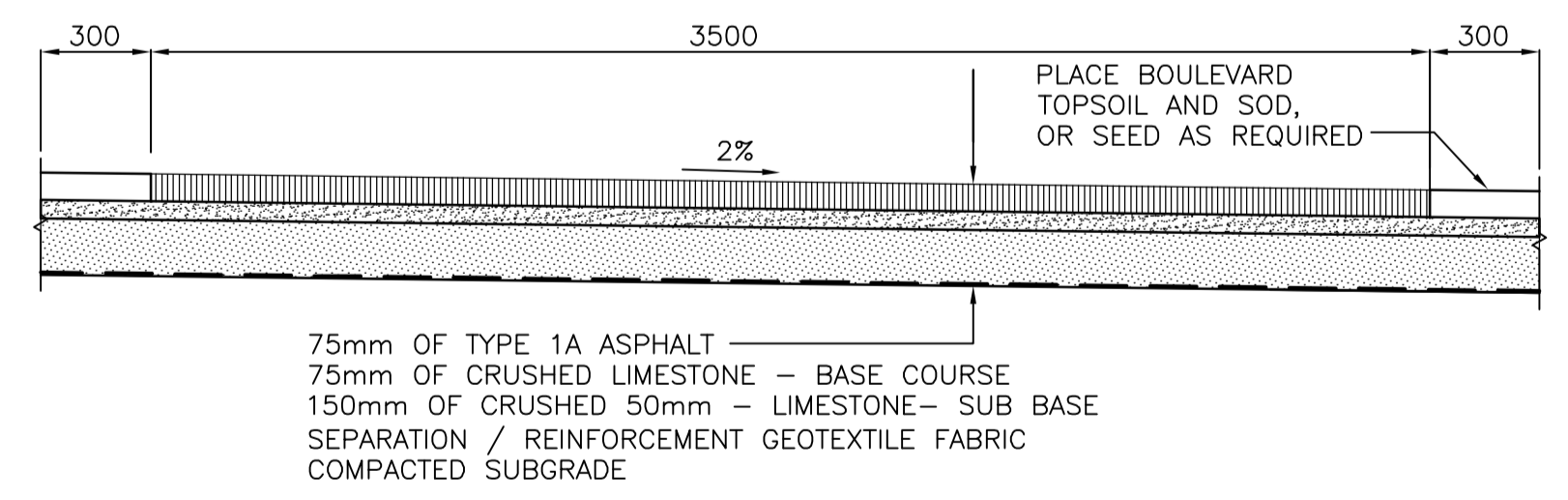


KU-26-665



- NOTES:**
- ALL SUB DRAINS INSTALL AS PER CW3120 & STANDARD DETAIL SD-245.
 - THE SEPARATION/REINFORCEMENT FABRIC SHALL BE WOVEN FABRIC AS PER CW3120.5.6. ALSO REFER TO TABLE CW 3710.5.4.2.
 - FOR JOINT DETAILS OF PAVEMENT, REFER TO JOINT DETAIL.
 - FOR COMPLETE LANDSCAPING DETAILS AT BOULEVARDS, ISLAND AND OTHER LOCATIONS, REFER TO LANDSCAPING ARCHITECTURE DRAWINGS.
 - ELEVATIONS SHOWN IF ANY ON TYPICAL SECTIONS ARE APPROX. REPRESENTATION ONLY.
 - CONTRACTOR TO ADJUST THE GRADING OF BOULEVARDS TO ENSURE POSITIVE DRAINAGE WITH CONTRACT ADMINISTRATOR APPROVAL.
 - CONTRACTOR TO FOLLOW CITY'S STANDARD DETAILS, WHERE APPLICABLE AND WILL ACQUIRE CONTRACT ADMINISTRATOR'S APPROVAL FOR ALL OTHER APPLICATIONS.
 - CONTRACTOR TO CONFIRM EXISTING PAVEMENT STRUCTURE AND THICKNESS ON SITE FOR TAYLOR AVENUE.



LOCATION APPROVED UNDERGROUND STRUCTURES SUPV. U/G STRUCTURES COMMITTEE DATE		B.M. ELEV.		Stantec Consulting Ltd. 905 Waverley Street, Winnipeg, Manitoba Tel 204-489-5900 Fax 204-453-9012		ENGINEER'S SEAL ORIGINAL SEALED BY G.W. MOURANT P. ENG. 06.03.03		THE CITY OF WINNIPEG PUBLIC WORKS DEPARTMENT Winnipeg ENGINEERING DIVISION	
NOTE: LOCATION OF UNDERGROUND STRUCTURES AS SHOWN ARE BASED ON THE BEST INFORMATION AVAILABLE BUT NO GUARANTEE IS GIVEN THAT ALL EXISTING UTILITIES ARE SHOWN OR THAT THE GIVEN LOCATIONS ARE EXACT. CONFIRMATION OF EXISTENCE AND EXACT LOCATION OF ALL SERVICES MUST BE OBTAINED FROM THE INDIVIDUAL UTILITIES BEFORE PROCEEDING WITH CONSTRUCTION.		DESIGNED BY VMM, TAG CHECKED BY KAR DRAWN BY TAG, VMM APPROVED BY GWM		HOR. SCALE: AS SHOWN VERTICAL: AS SHOWN		AUTHORIZED BY: R. FINGAS P. ENG. 06.03.03 BRIDGE PROJECTS ENGINEER		SHEET 26 OF 52 CAD FILE DRAWING NUMBER ku-24-26-665.dwg CITY DRAWING NUMBER P-3258-197	
NO. REVISIONS DATE BY		0 ISSUED FOR TENDER 06.03.03 GWM		06.01.05		CONSULTANT DRAWING NO. I13703042-T39		KENASTON UNDERPASS PROJECT KENASTON BOULEVARD RECONSTRUCTION PAVEMENT CROSS SECTIONS & DETAILS	



VAL1171264(11/20/04) - Kenaston IP RECON/CD/CONTRACT 6 - Interpass etc/ROADS/10-24-26-665.dwg
 2005-03-28 12:28PM Br. Jermolovs