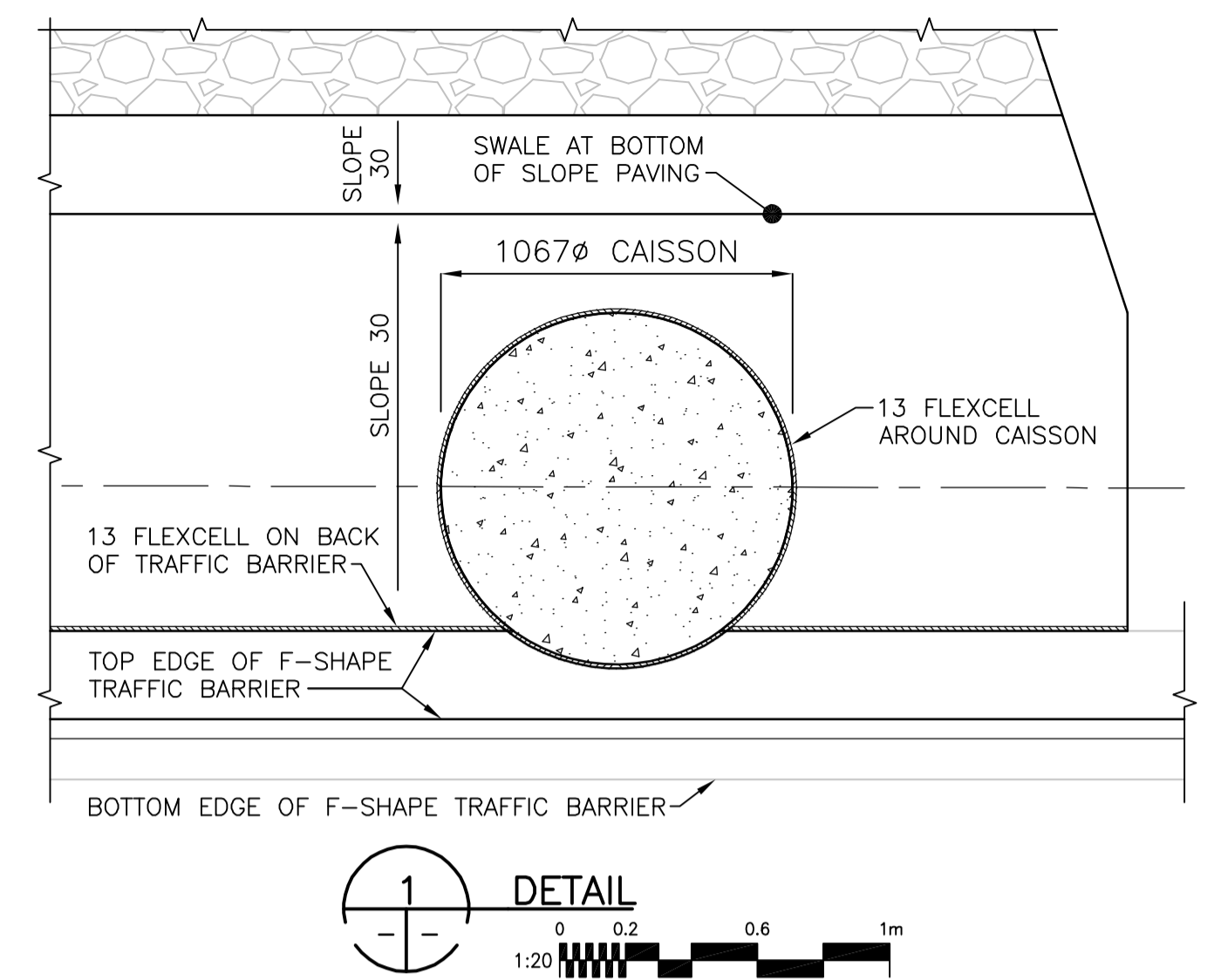
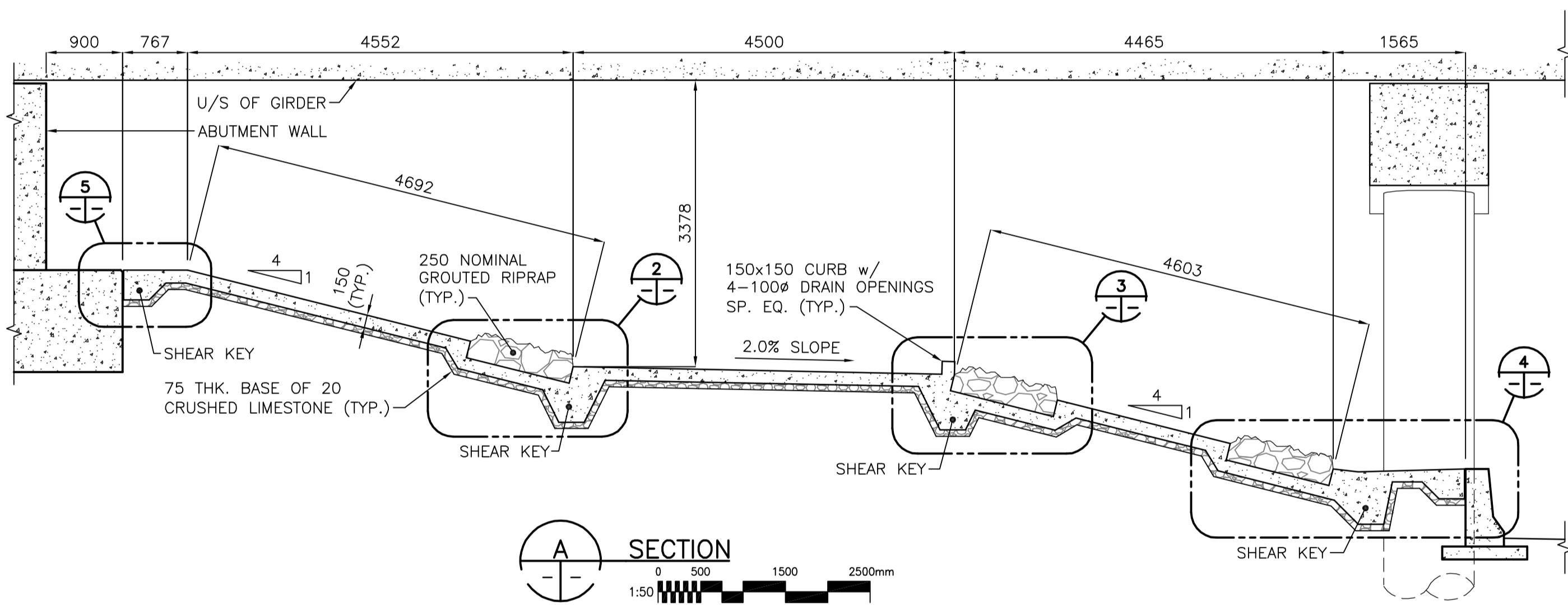


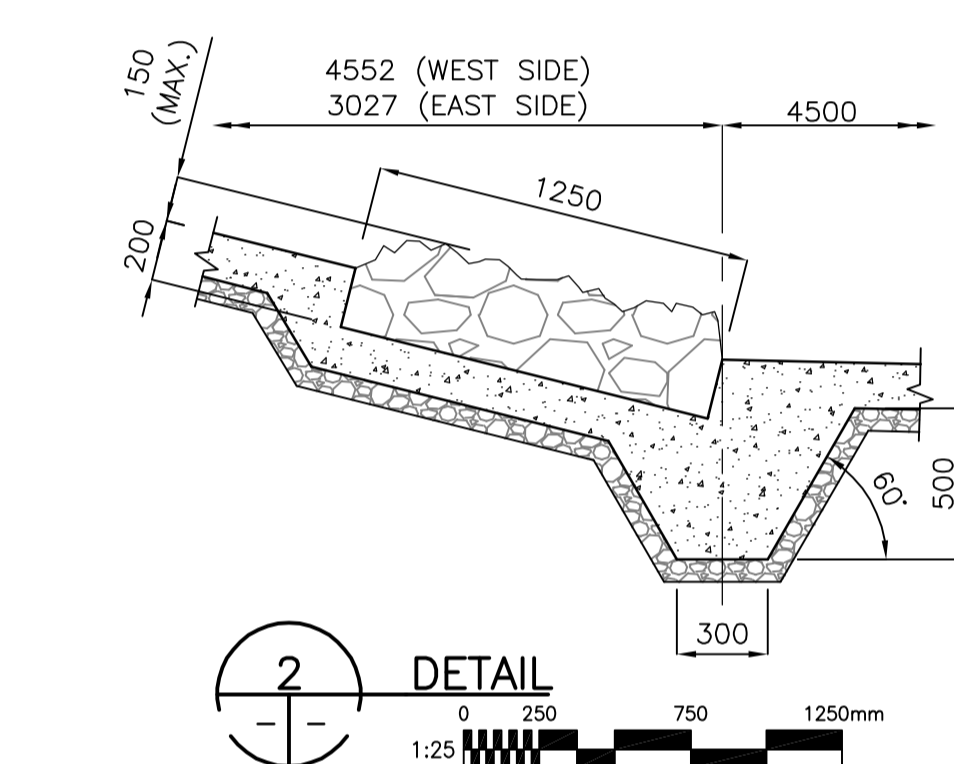
**PLAN**  
1:125



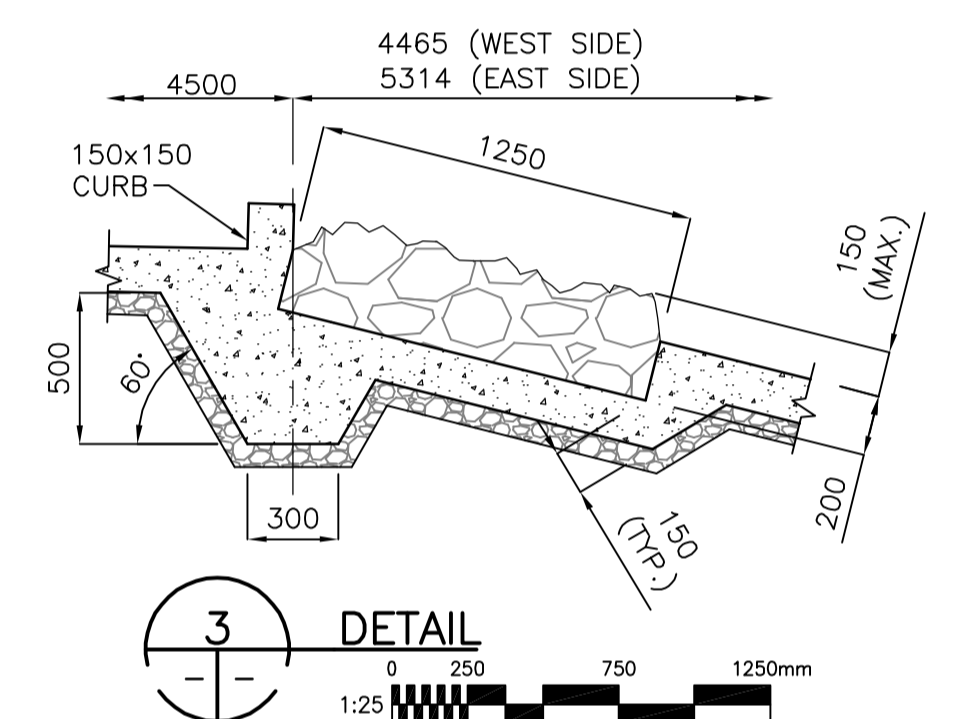
**1 DETAIL**  
1:20



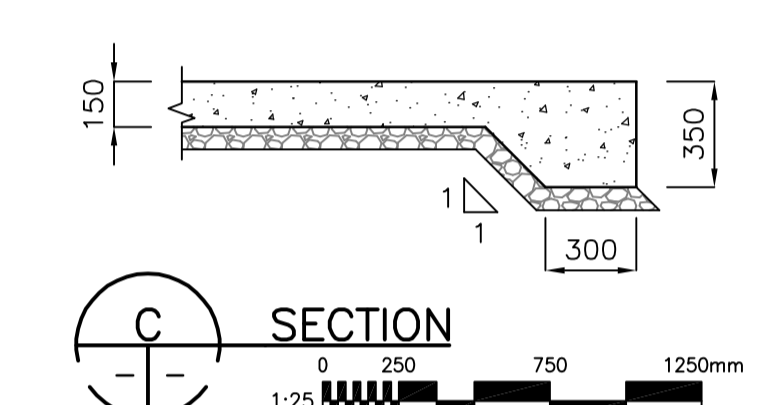
**A SECTION**  
1:50



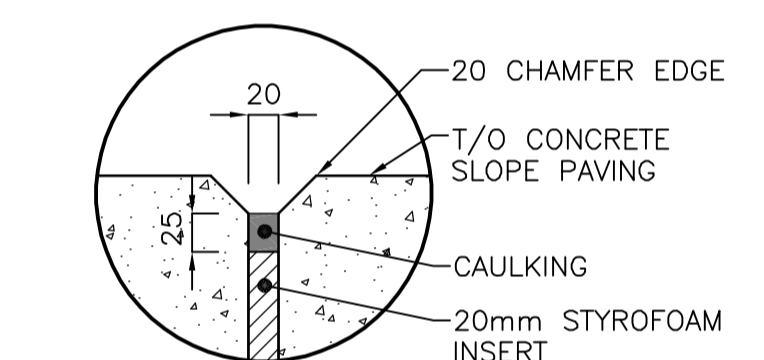
**2 DETAIL**  
1:25



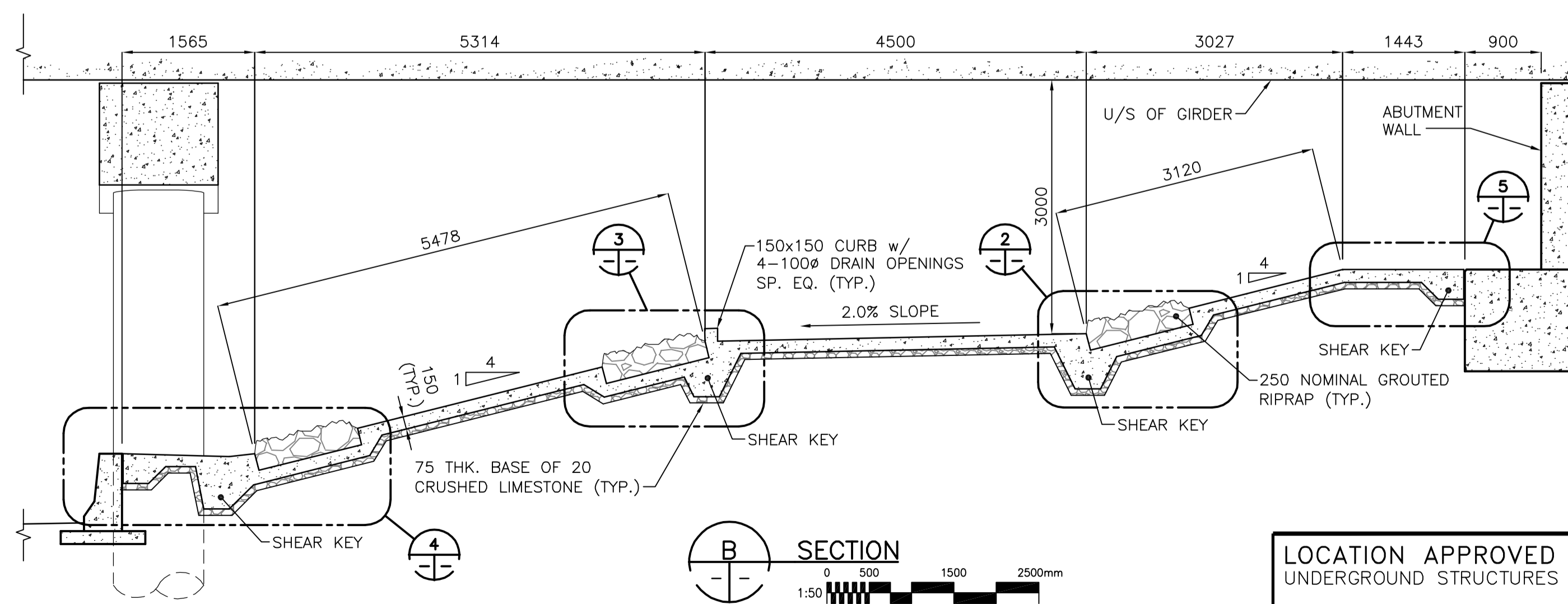
**3 DETAIL**  
1:25



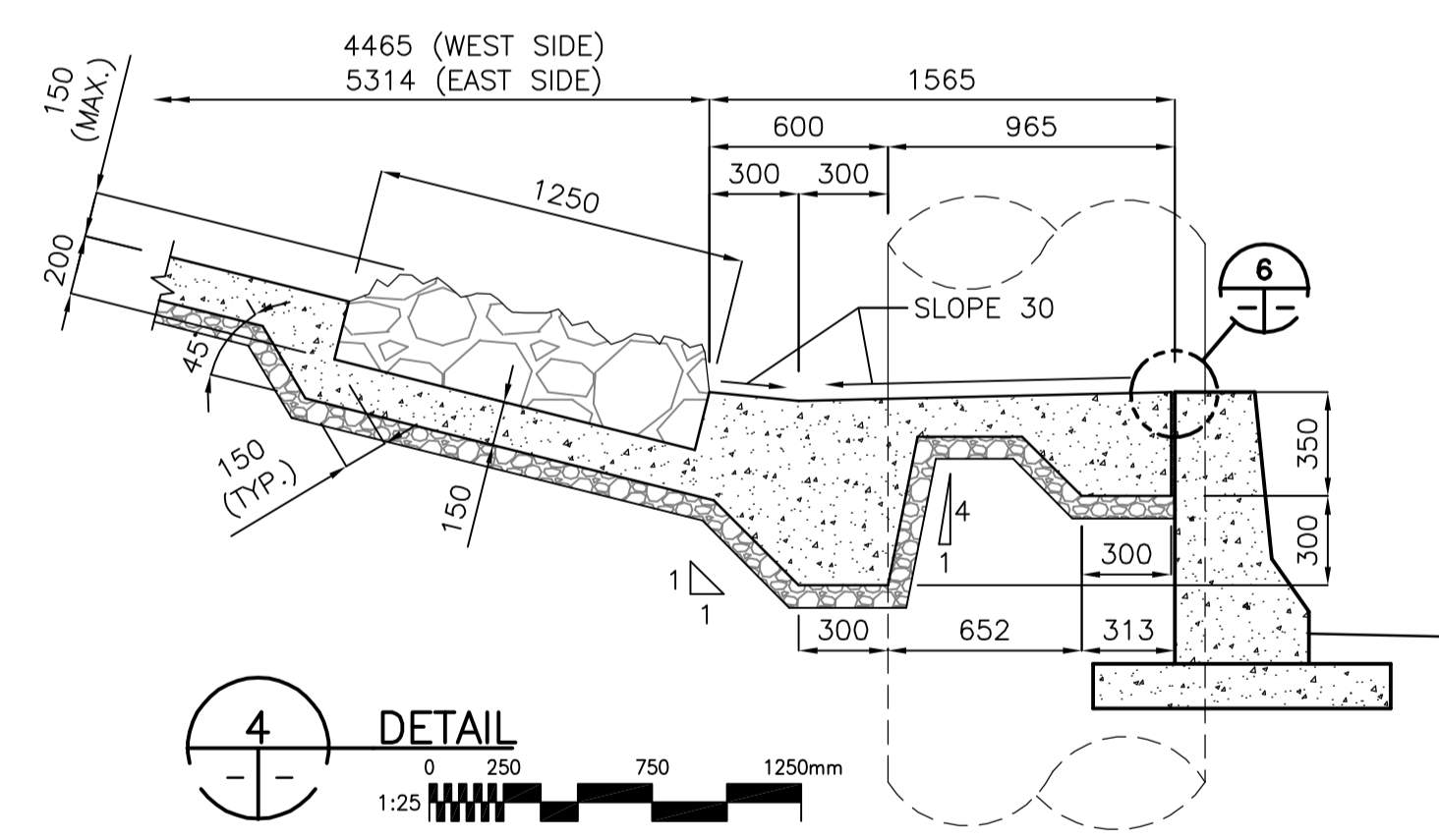
**C SECTION**  
1:25



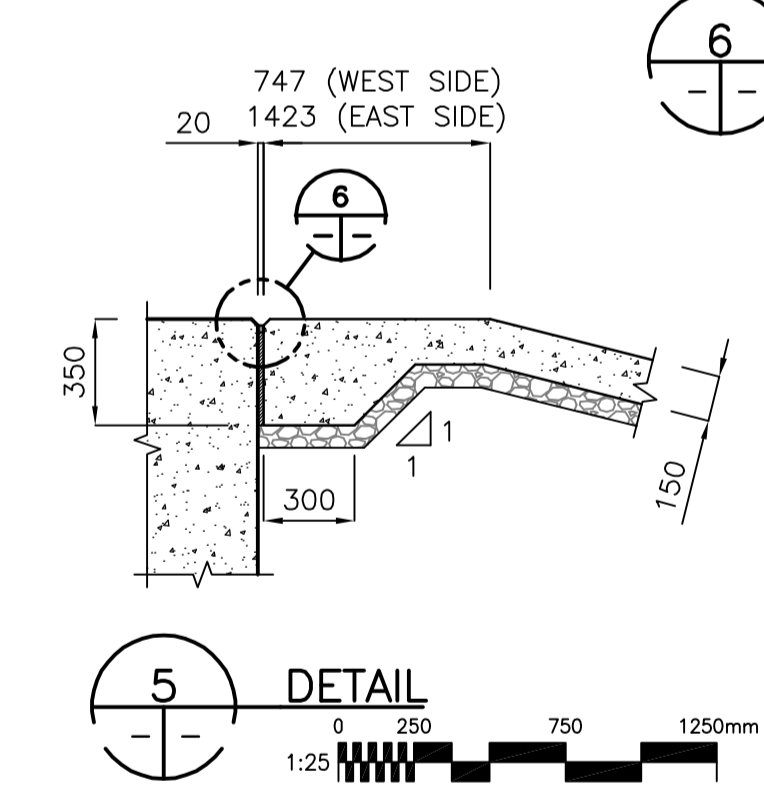
**6 DETAIL**  
1:5



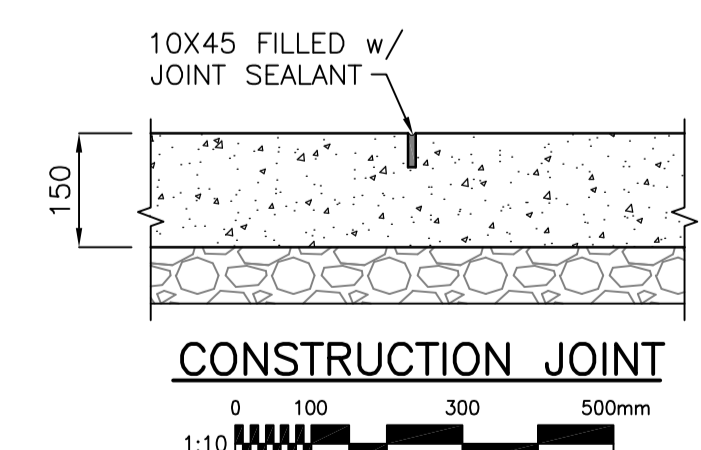
**B SECTION**  
1:50



**4 DETAIL**  
1:25



**5 DETAIL**  
1:25



**CONSTRUCTION JOINT**  
1:10

**NOTE:**  
1. BRIDGE CURRENTLY UNDER CONSTRUCTION, AS-BUILT INFORMATION NOT AVAILABLE. DIMENSIONS MAY REQUIRE MINOR ADJUSTMENTS TO SUIT BRIDGE CONSTRUCTION.

LOCATION APPROVED UNDERGROUND STRUCTURES	
SUPV. U/G STRUCTURES COMMITTEE	DATE

**NOTE:**  
LOCATION OF UNDERGROUND STRUCTURES AS SHOWN ARE BASED ON THE BEST INFORMATION AVAILABLE BUT NO GUARANTEE IS GIVEN THAT ALL EXISTING UTILITIES ARE SHOWN OR THAT THE GIVEN LOCATIONS ARE EXACT. CONFIRMATION OF EXISTENCE AND EXACT LOCATION OF ALL SERVICES MUST BE OBTAINED FROM THE INDIVIDUAL UTILITIES BEFORE PROCEEDING WITH CONSTRUCTION.

B.M. ELEV.			

<b>Stantec Consulting Ltd.</b>		ENGINEER'S SEAL	
905 Waverley Street, Winnipeg, Manitoba Tel 204-489-5900 Fax 204-453-9012			
DESIGNED BY: MJB, KSA	CHECKED BY: GWM	ORIGINAL SEALED BY: M.J. BOISSONNEAULT P. ENG. 06.03.03	
DRAWN BY: JMB	APPROVED BY: MJB		
HOR. SCALE: AS SHOWN	AUTHORIZED BY: R. FINGAS P. ENG. 06.03.03	CONSULTANT DRAWING NO. I13703042-S29	
VERTICAL: AS SHOWN			
NO. REVISIONS	DATE	BY	DATE
0	06.03.03	MJB	05.11.09


**THE CITY OF WINNIPEG**  
PUBLIC WORKS DEPARTMENT  
**ENGINEERING DIVISION**

**Winnipeg**

**KENASTON UNDERPASS PROJECT**  
KENASTON BOULEVARD RECONSTRUCTION

**RAILWAY BRIDGE**  
CONCRETE SLOPE PAVING  
CONCRETE LAYOUT & DETAILS

SHEET **33** OF **52**  
CAD FILE DRAWING NUMBER **ku-33-665.dwg**  
CITY DRAWING NUMBER **P-3258-204**

**APEGM**  
Certificate of Authorization  
Stantec Consulting Ltd.  
No. 1301 Expiry: April 30, 2006

**METRIC**  
WHOLE NUMBERS INDICATE MILLIMETRES  
DECIMALIZED NUMBERS INDICATE METRES