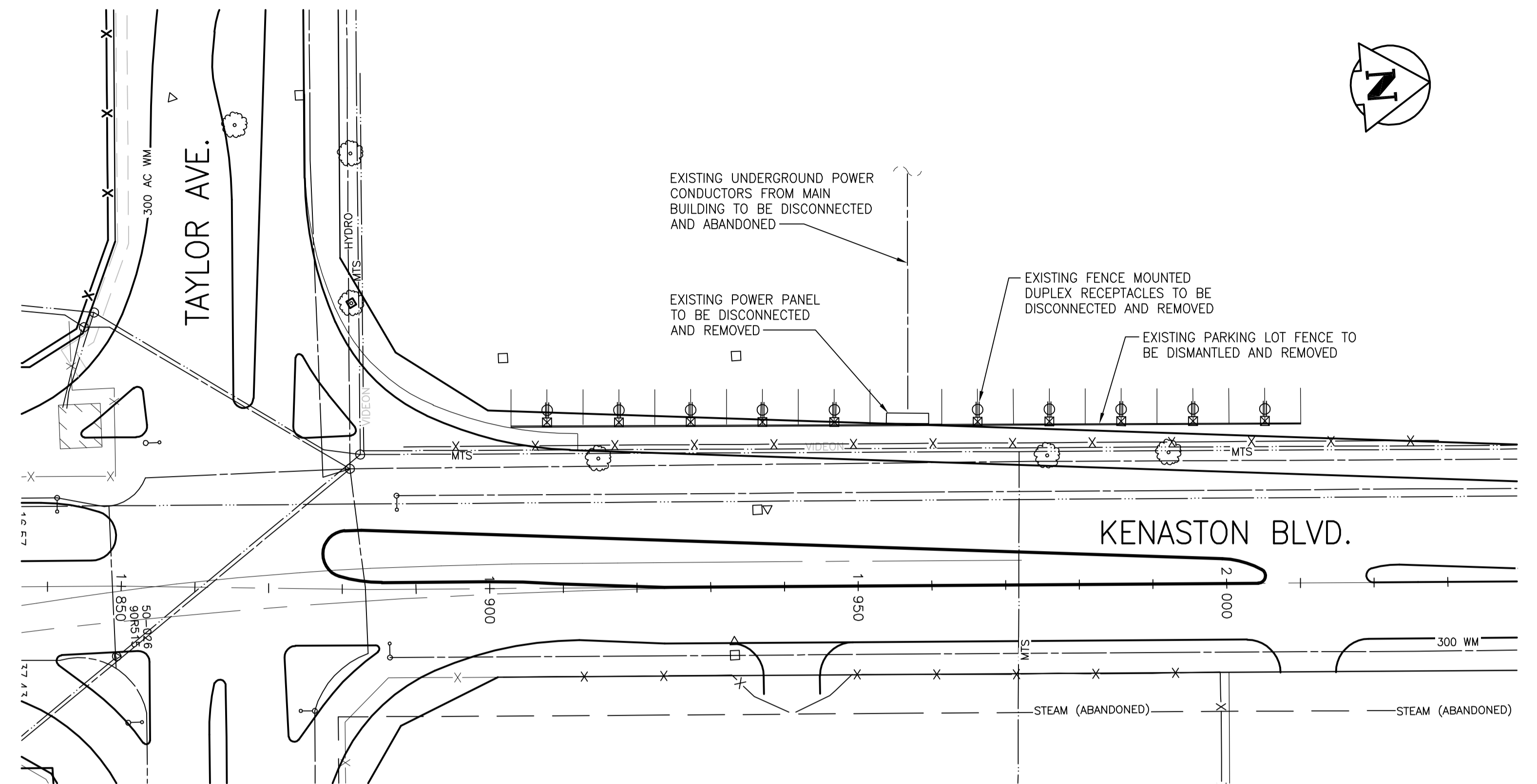


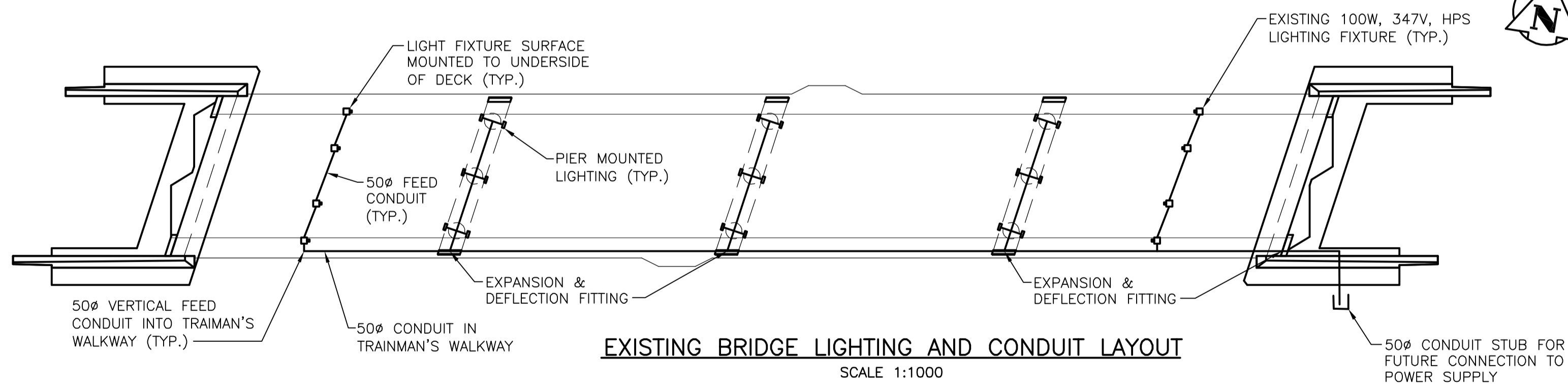
RAILWAY BRIDGE LIGHT FIXTURES POWER SUPPLY DETAIL
SCALE 1:250



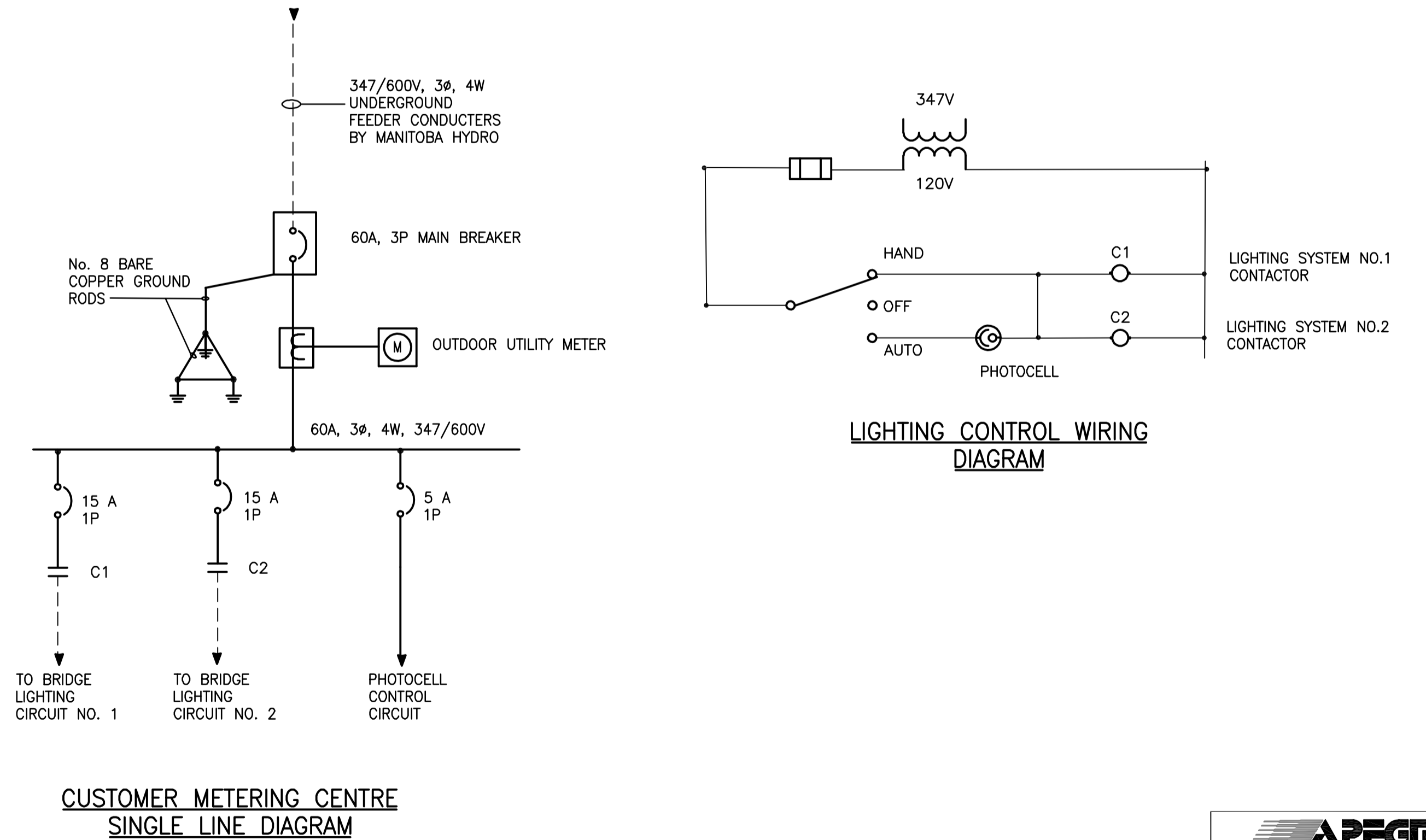
EXISTING PARKING LOT FENCE DEMOLITION
SCALE 1:500

NOTES:

- COORDINATE WITH MANITOBA HYDRO FOR PROVISION OF NEW 30A, 347V/600V, 3Ø, 4W UNDERGROUND POWER SERVICE TO NEW CUSTOMER METERING CENTRE AS INDICATED.
- PROVIDE ALL NECESSARY CONDUCTORS, TERMINATIONS, PULLWIRES, LABOUR ETC. TO EXTEND 347V, 1Ø POWER FROM NEW CUSTOMER METERING CENTRE TO EXISTING BRIDGE DECK AND PIER MOUNTED LIGHTING FIXTURES (26 IN TOTAL). LIGHTING FIXTURES TO BE POWERED FROM TWO 15A, 1P CIRCUIT BREAKERS, CIRCUITING TO ALTERNATE BETWEEN ADJOINING FIXTURES.
- DISCONNECT, DISMANTLE AND REMOVE EXISTING WOODEN PARKING LOT FENCE, CAR BLOCK HEATER RECEPTACLES, AND POWER DISTRIBUTION PANEL C/W ALL ASSOCIATED WIRE, CONDUIT, CLIPS ETC. AS INDICATED.
- EXISTING UNDERGROUND POWER CABLES FEEDING POWER DISTRIBUTION PANEL FROM MAIN BUILDING TO BE ABANDONED BY DISCONNECTING AT SOURCE OF SUPPLY AND BURYING EXPOSED ENDS TO ENSURE ALL ABANDONED POWER CONDUCTORS ARE PERMANENTLY DE-ENERGIZED.



EXISTING BRIDGE LIGHTING AND CONDUIT LAYOUT
SCALE 1:1000



CUSTOMER METERING CENTRE SINGLE LINE DIAGRAM

LIGHTING CONTROL WIRING DIAGRAM

---	GAS	○	MANHOLE	●	⊕	HYDRANT	⊕
---	MTS	□	CATCH BASIN/CATCH PIT	■	⊗	WATERMAIN VALVE	⊕
---	HYDRO	△	C & G INLET WITH BOX	▲	+	GAS LINE MARKER	
---	VIDEON	⊙	TREE	⊙	⊕	LIGHT STANDARD	
---	TRAFFIC SIGNALS	⊙ TH#10	TEST HOLE	⊕	⊕	GUY WIRE	
---	LAND DRAINAGE SEWER	---	PROPERTY LINE	---	⊕	TRAFFIC SIGNAL	
---	FORCEMAIN	---	SURVEY BAR	---	⊕	SIGN	
---	CATCHBASIN LEAD	---	GEODETTIC MONUMENT	---	⊕	SIGNAL PIT	
---	WATERMAIN	---	FENCE	---	⊕	BOLLARD	
---	SUBDRAIN	---	BACK OF CURB	---	---	FENCE	---
---	DITCH	---	ELEVATION	---	---		---
---	EXISTING	---	LEGEND - PLAN	---	---	LEGEND - PLAN	---
---	NEW	---	LEGEND - PLAN	---	---	NEW	---

LOCATION APPROVED UNDERGROUND STRUCTURES

SUPV. U/G STRUCTURES COMMITTEE DATE
 NOTE:
 LOCATION OF UNDERGROUND STRUCTURES AS SHOWN ARE BASED ON THE BEST INFORMATION AVAILABLE BUT NO GUARANTEE IS GIVEN THAT ALL EXISTING UTILITIES ARE SHOWN OR THAT THE GIVEN LOCATIONS ARE EXACT. CONFIRMATION OF EXISTENCE AND EXACT LOCATION OF ALL SERVICES MUST BE OBTAINED FROM THE INDIVIDUAL UTILITIES BEFORE PROCEEDING WITH CONSTRUCTION.

B.M. ELEV.	66-001 233.425m
NO.	ISSUED FOR TENDER
REVISIONS	DATE BY
0	06.03.03 DWD
	DATE 06.02.13

Stantec Consulting Ltd.
 905 Waverley Street, Winnipeg, Manitoba
 Tel 204-489-5900 Fax 204-453-9012

DESIGNED BY	D.W.D.	CHECKED BY	D.W.D.
DRAWN BY	J.H.	APPROVED BY	D.W.D.
HOR. SCALE:	AS NOTED	AUTHORIZED BY:	DATE
VERTICAL:	AS NOTED	R. FINGAS	06.03.03
		R. FINGAS, P. ENG.	BRIDGE PROJECTS ENGINEER

ENGINEER'S SEAL

ORIGINAL SEALED BY
 D.W. DOWHAN
 P. ENG.
 06.03.03

CONSULTANT DRAWING NO.
113703042-E07

THE CITY OF WINNIPEG
 PUBLIC WORKS DEPARTMENT
 ENGINEERING DIVISION

Winnipeg

KENASTON UNDERPASS PROJECT
 KENASTON BOULEVARD RECONSTRUCTION

KENASTON BOULEVARD
 ELECTRICAL LAYOUT DETAILS

SHEET **46** OF **52**

CAD FILE DRAWING NUMBER
 ku-46-665.dwg

CITY DRAWING NUMBER
P-3258-207

APEGM
 Certificate of Authorization
 Stantec Consulting Ltd.
 No. 1301 Expiry: April 30, 2006