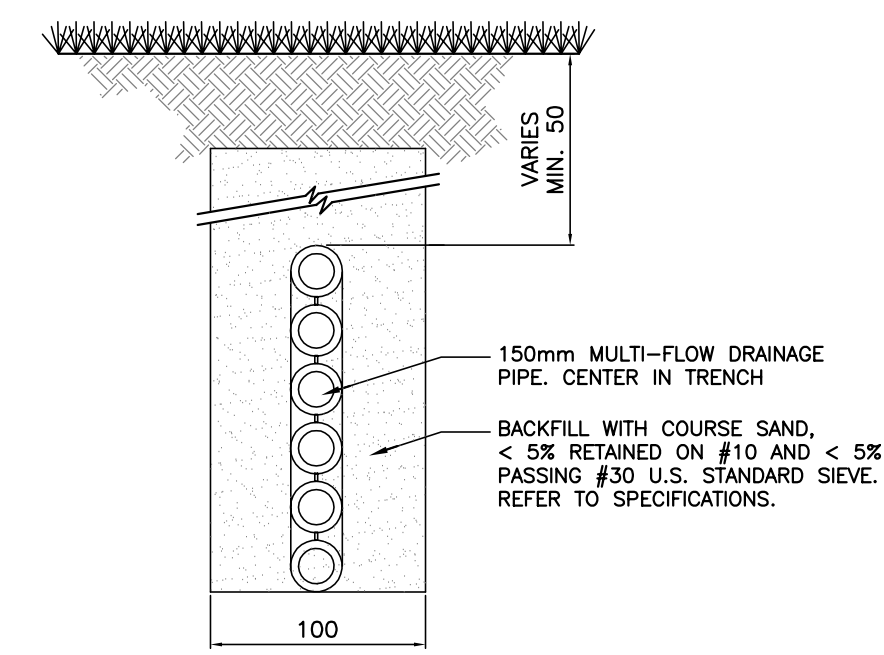
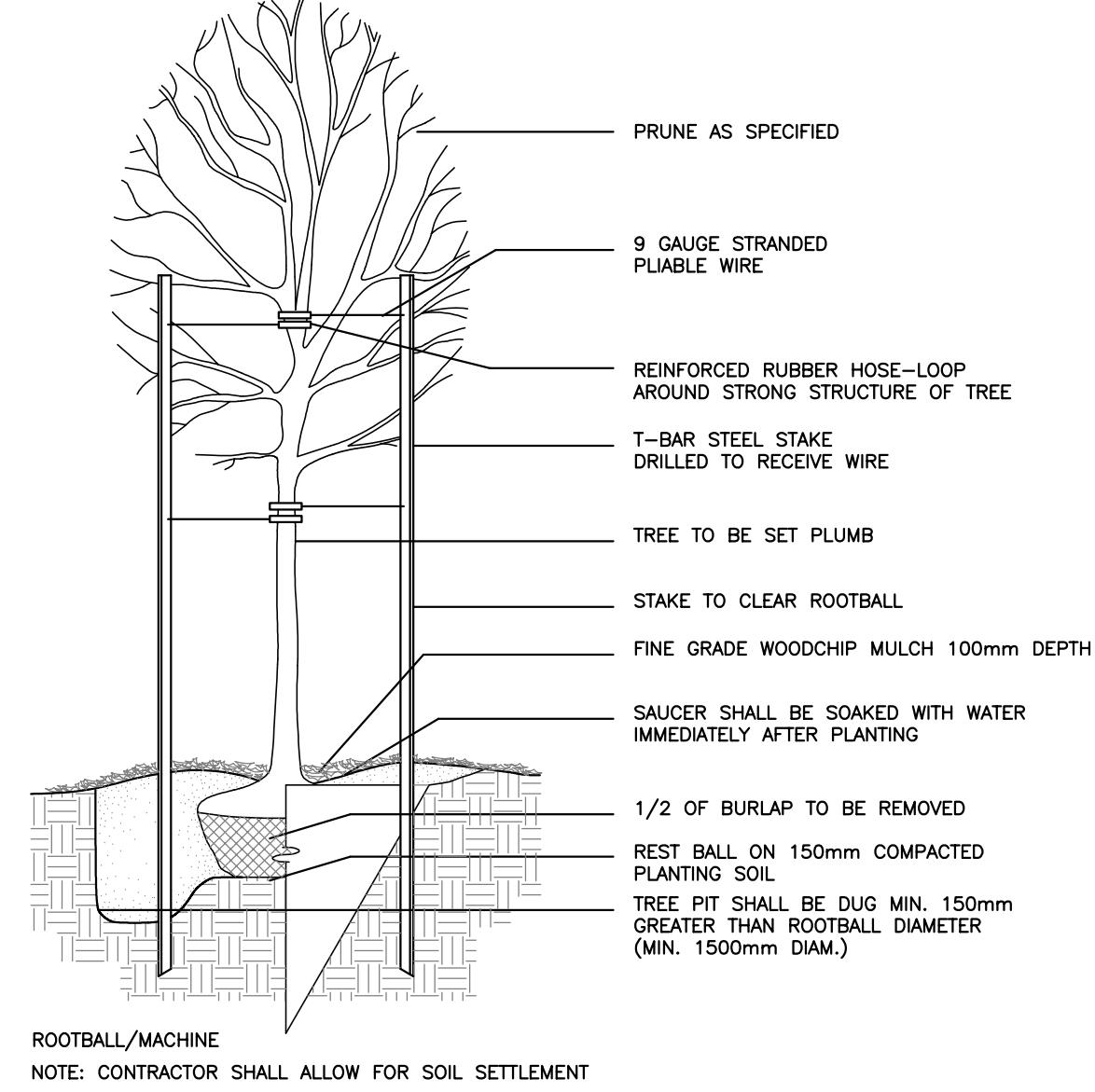
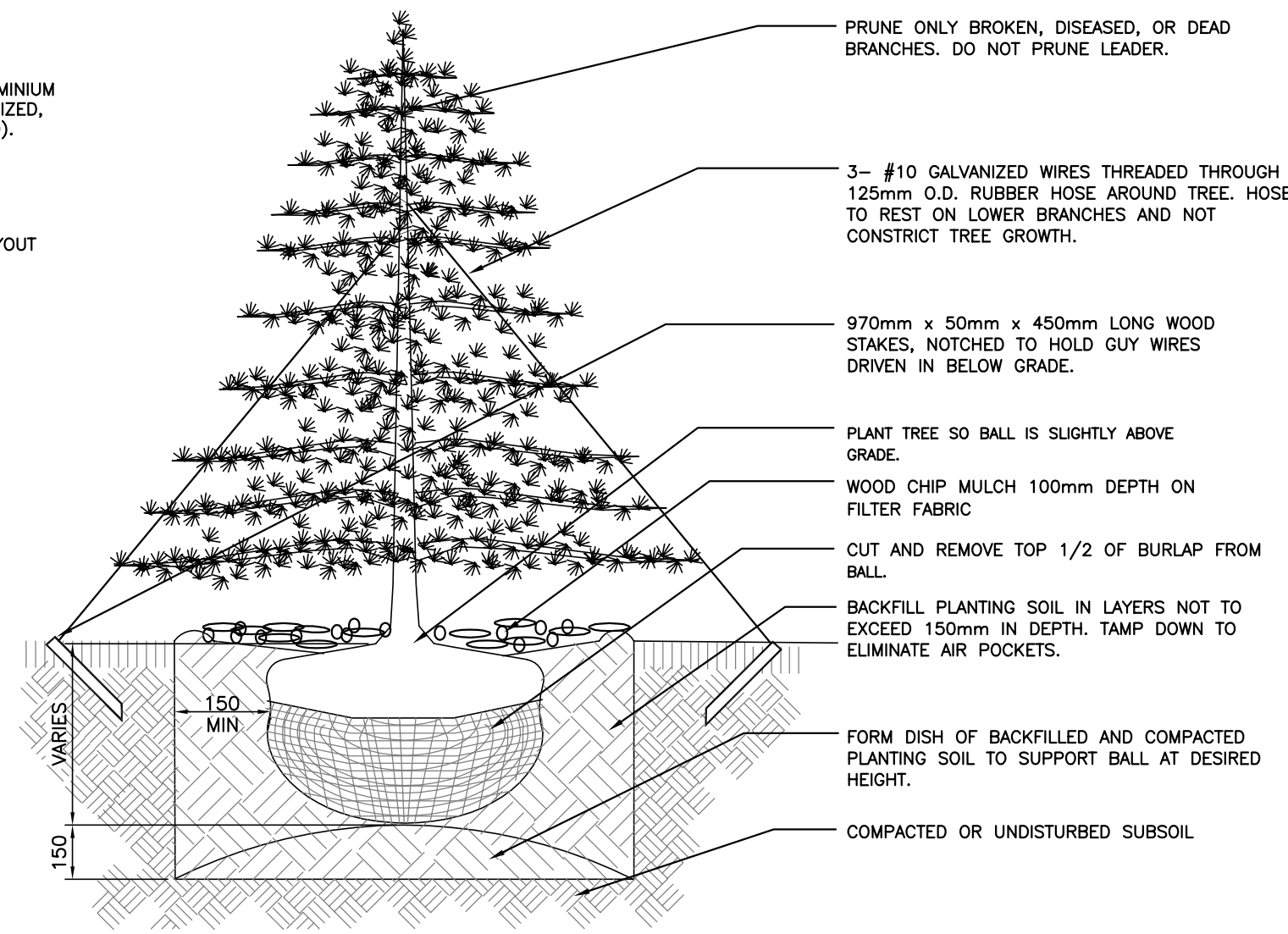
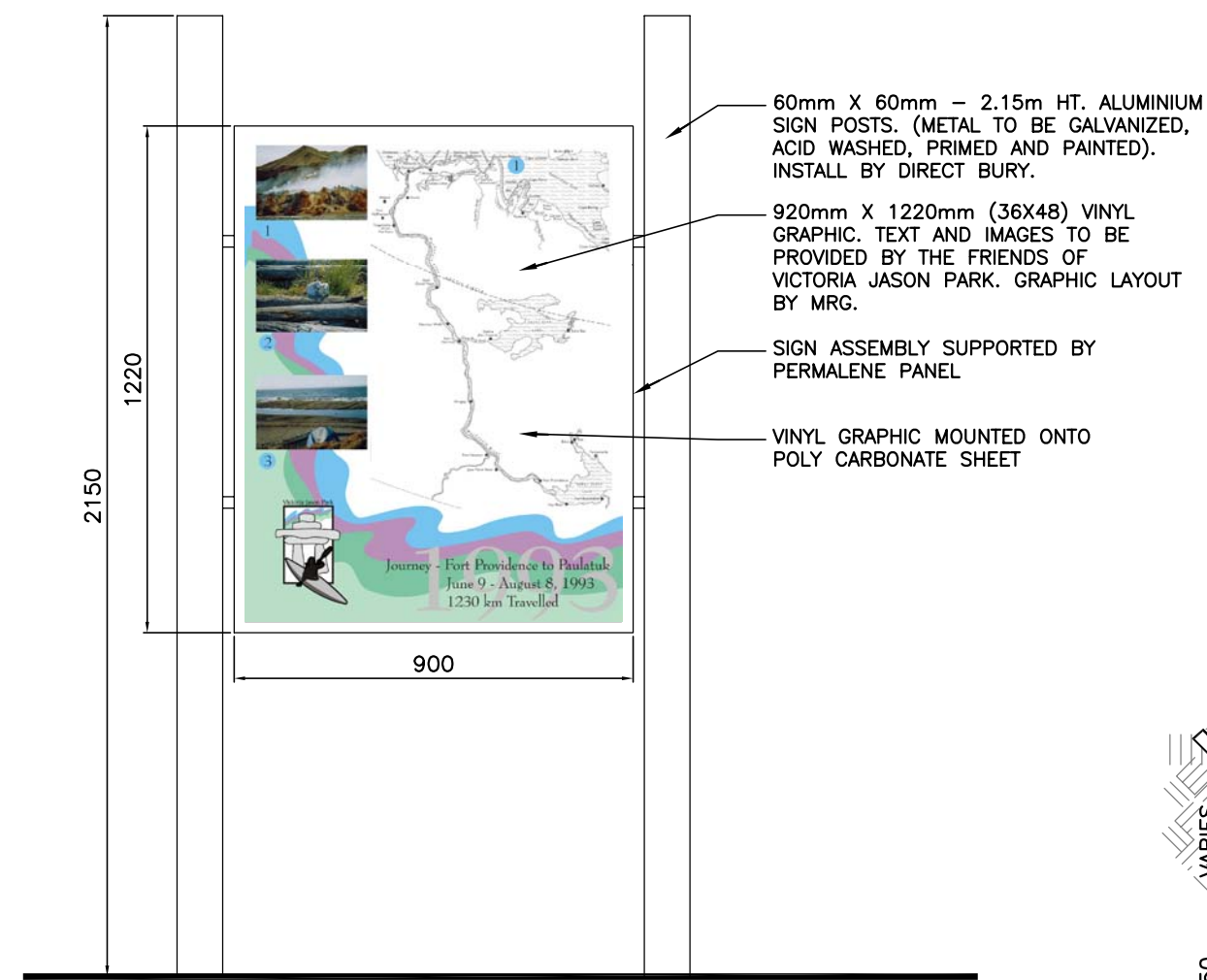


1 CRUSHED LIMESTONE PATHWAY  
L1 N.T.S.

2 WOOD BOLLARD  
L1 N.T.S.

3 ENTRANCE SIGN DETAIL  
L1 N.T.S.

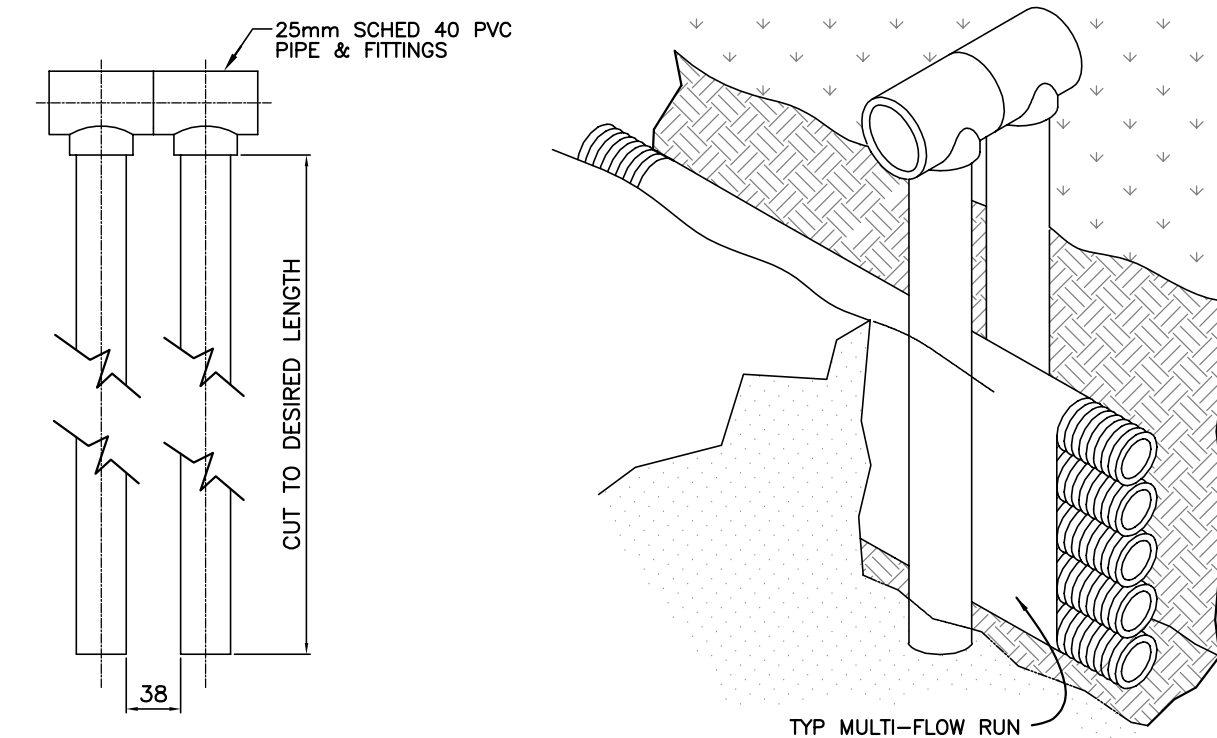
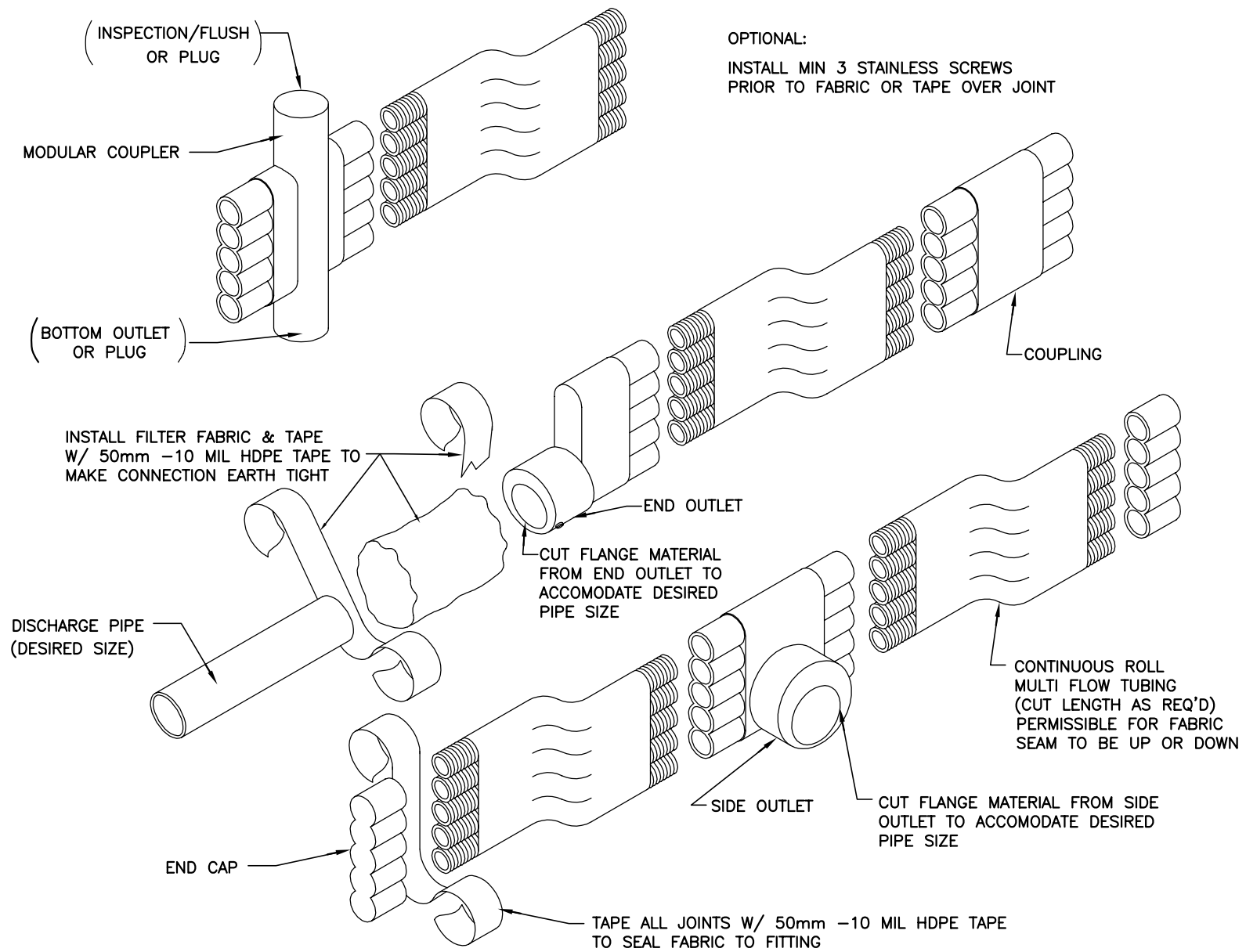


4 EDUCATIONAL PANEL DETAIL  
L1 N.T.S.

5 TYPICAL CONIFEROUS TREE PLANTING  
L1 N.T.S.

6 TYPICAL DECIDUOUS TREE PLANTING  
L1 N.T.S.

7 MULTI-FLOW DRAIN TRENCH  
L1 N.T.S.



8 MULTI-FLOW ASSEMBLY  
L1 N.T.S.

9 MULTI-FLOW CENTERING DEVICE  
L1 N.T.S.

ISSUED FOR TENDER	13/04/06	SR
No. Revisions	Date	By
03-24-06	AS NOTED	
Designed By	Drawn By	Checked By
AH	AH	SR

Seals

McGOWAN RUSSELL

Client

CITY OF WINNIPEG

Project Title

**VICTORIA JASON PARK**

Sheet Title

**DETAILS**

Project No. 04-042

Drawing No. L3

