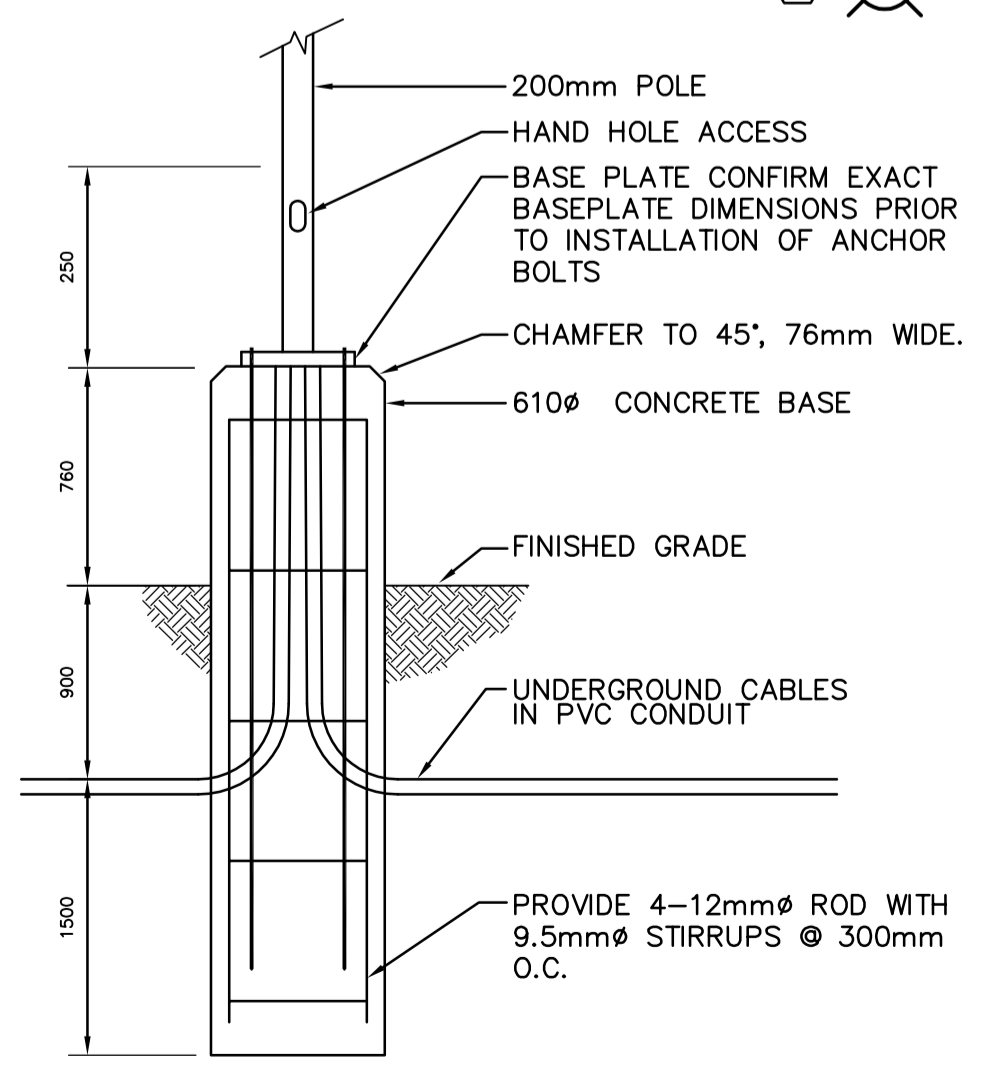


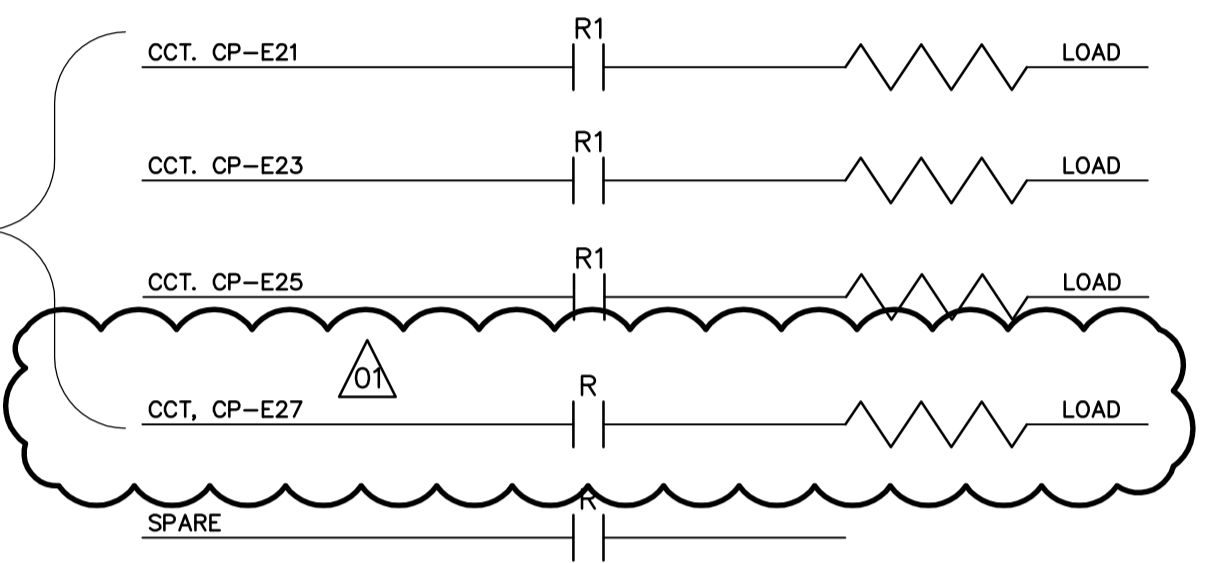
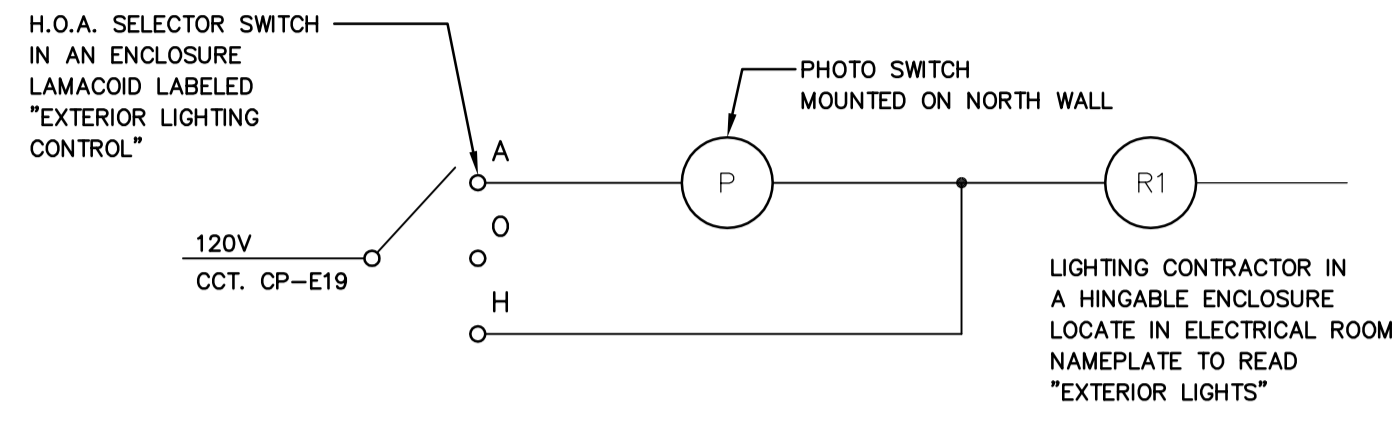
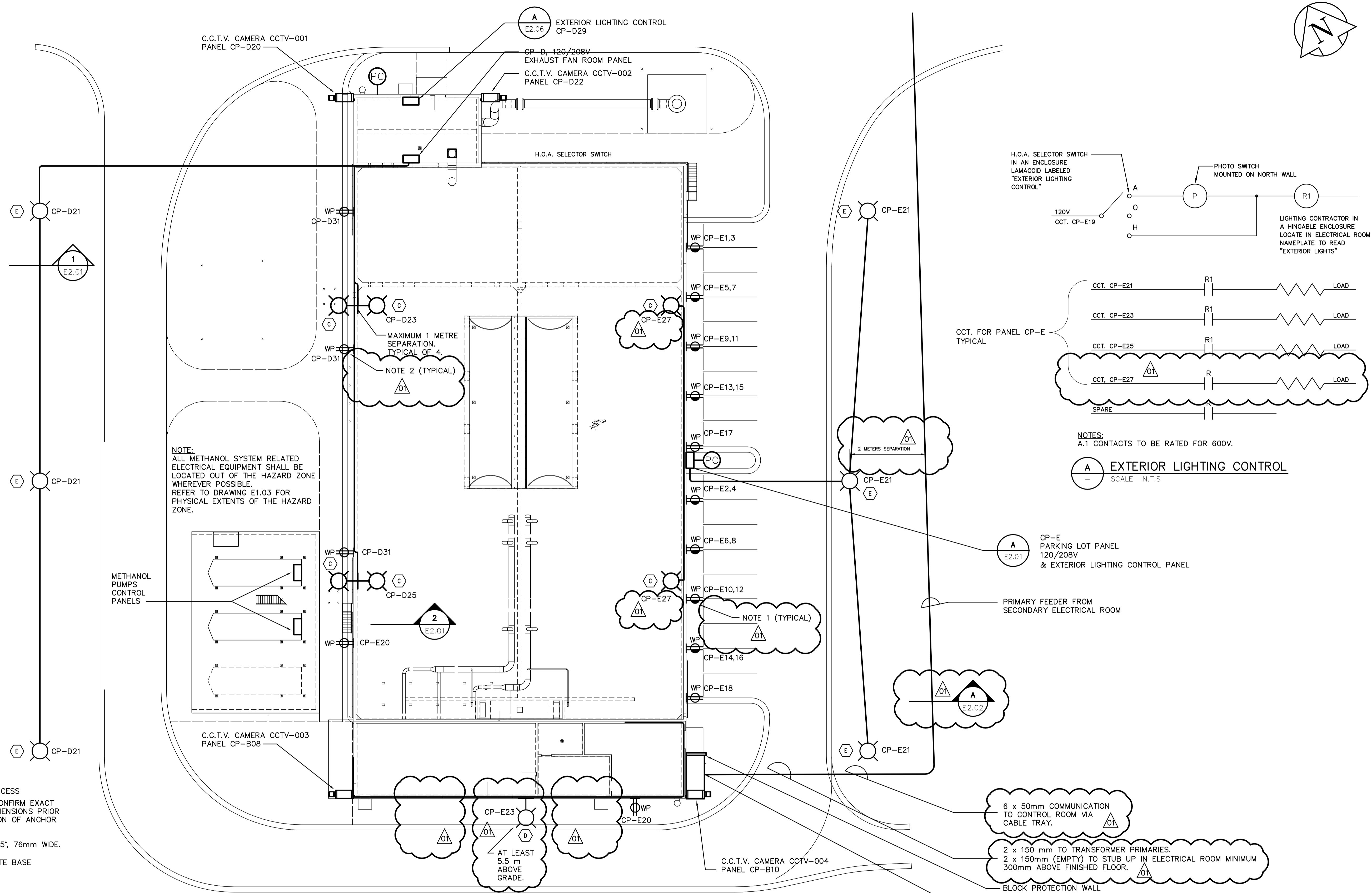
NOTES:
 2.1 TYPICAL FOR FIXTURE TYPE 'C'.
 SBR TANK MOUNTING.
 2.2 COORDINATE ALL SBR STAND EQUIPMENT
 MOUNTING WITH THE CITY AND DIVISION 3
 FOR INSTALLATION REQUIREMENTS.

2 POLE BASE DETAIL
 E2.01 SCALE N.T.S.



NOTE:
 1.1 TYPICAL FIXTURE TYPE 'E'.
1 POLE BASE DETAIL
 E2.01 SCALE N.T.S.

NOTES:
 1. PARKING RECEPTACLES SHALL BE MOUNTED
 ON EXTERIOR OF BUILDING, ONE (1) METER
 ABOVE GRADE.
 2. ALL GENERAL EXTERIOR RECEPTACLES
 SHALL BE WEATHER PROOF AND MOUNTED ONE
 (1) METER ABOVE GRADE.



NOTES:
 A.1 CONTACTS TO BE RATED FOR 600V.
A EXTERIOR LIGHTING CONTROL
 SCALE N.T.S.

A E2.01
 CP-E
 PARKING LOT PANEL
 120/208V
 & EXTERIOR LIGHTING CONTROL PANEL

PRIMARY FEEDER FROM
 SECONDARY ELECTRICAL ROOM

6 x 50mm COMMUNICATION
 TO CONTROL ROOM VIA
 CABLE TRAY.

2 x 150 mm TO TRANSFORMER PRIMARIES.
 2 x 150mm (EMPTY) TO STUB UP IN ELECTRICAL ROOM MINIMUM
 300mm ABOVE FINISHED FLOOR.

BLOCK PROTECTION WALL
 REFER TO STRUCTURAL

1500 KVA, 347/600V, 3ø
 PADMOUNT TRANSFORMERS
 CT-1 AND CT-2
 EXACT LOCATION OF CABLE
 ENTRANCE INTO TRANSFORMERS
 TO BE DETERMINED ON SITE

SITE PLAN
 SCALE: N.T.S.

APECM
 Certificate of Authorization
 Earth Tech Canada Inc.
 No. 730 Expiry: April 30, 2007

B.M. ELEV.					
DESIGNED BY	PS	CHECKED BY	GSN		
DRAWN BY	CPG	APPROVED BY	JEH		
SCALE:	NTS	RELEASED FOR CONSTRUCTION BY:	K. MARTENS		
NO. REVISIONS		DATE		DATE	
01	291-2006 ADDENDUM 3	06/07/12	CPG		
00	ISSUED FOR TENDER	06/05/15	CPG		
		DATE	2006/02/23	DATE	2006/05/23

EarthTech
 A Tyco International Ltd. Company

ENGINEER'S SEAL
 ORIGINAL SIGNED BY
 P. STRYK
 2005/05/15
 CONSULTANT DRAWING NO.
 E2.01

THE CITY OF WINNIPEG
 WATER AND WASTE DEPARTMENT
Winnipeg ENGINEERING DIVISION

NEWPCC CENTRATE NUTRIENT TREATMENT
 NITROGEN REMOVAL FACILITY

ELECTRICAL
 SITE PLAN

CITY FILE NUMBER
 SHEET OF
 CITY DRAWING NUMBER