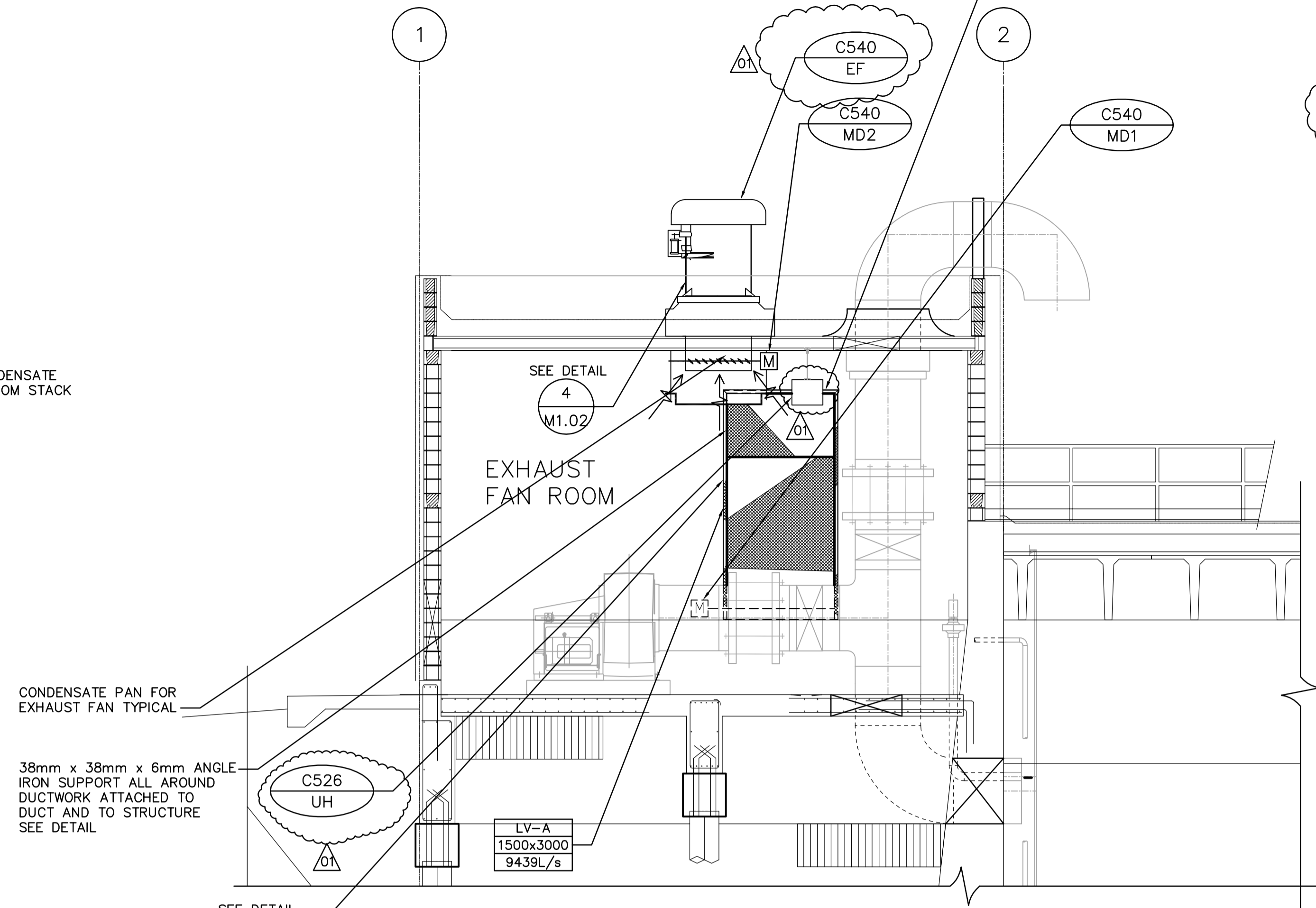
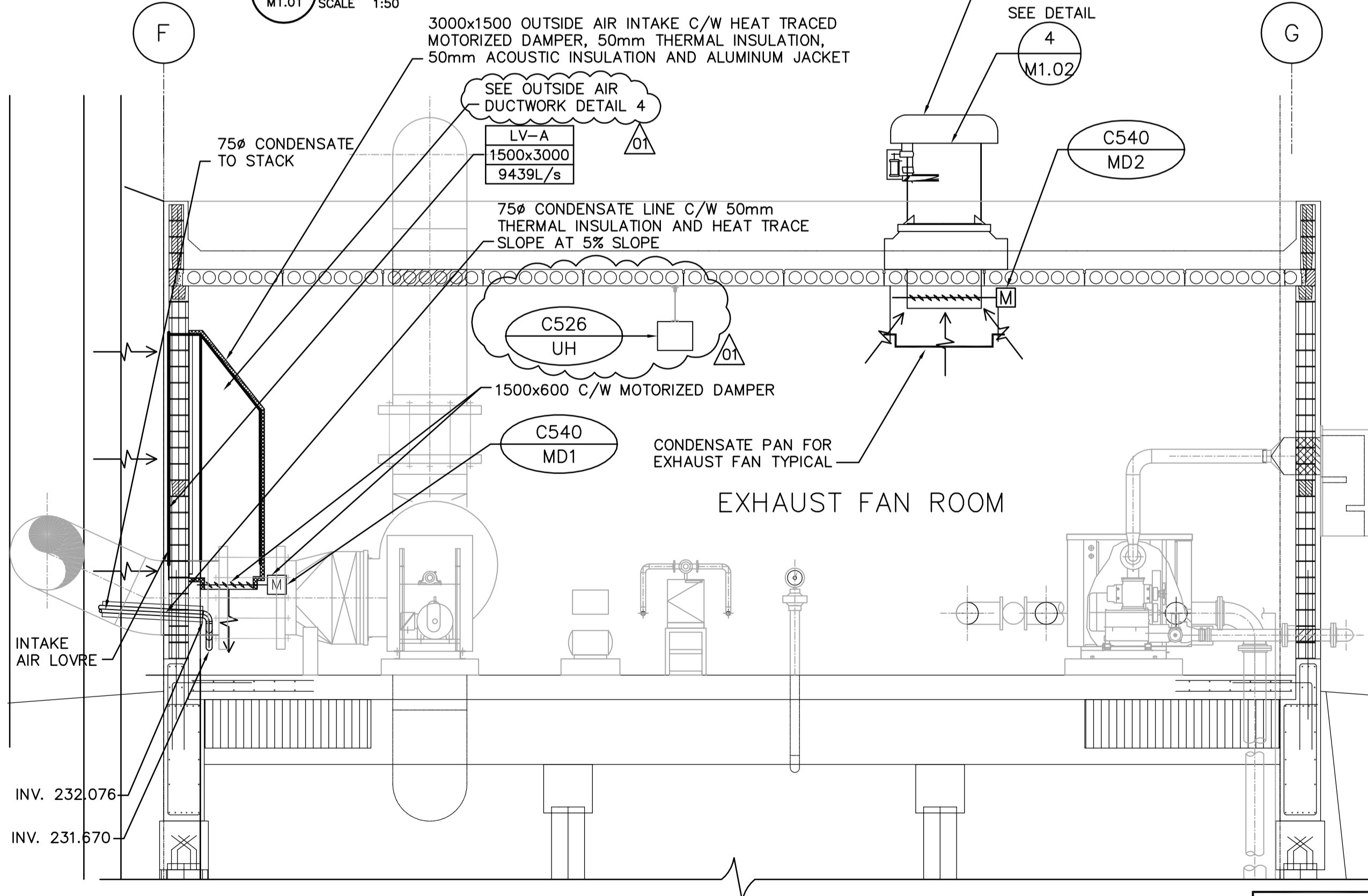


1 EXHAUST FAN BUILDING SECTION - PLUMBING
M1.01 SCALE 1:50

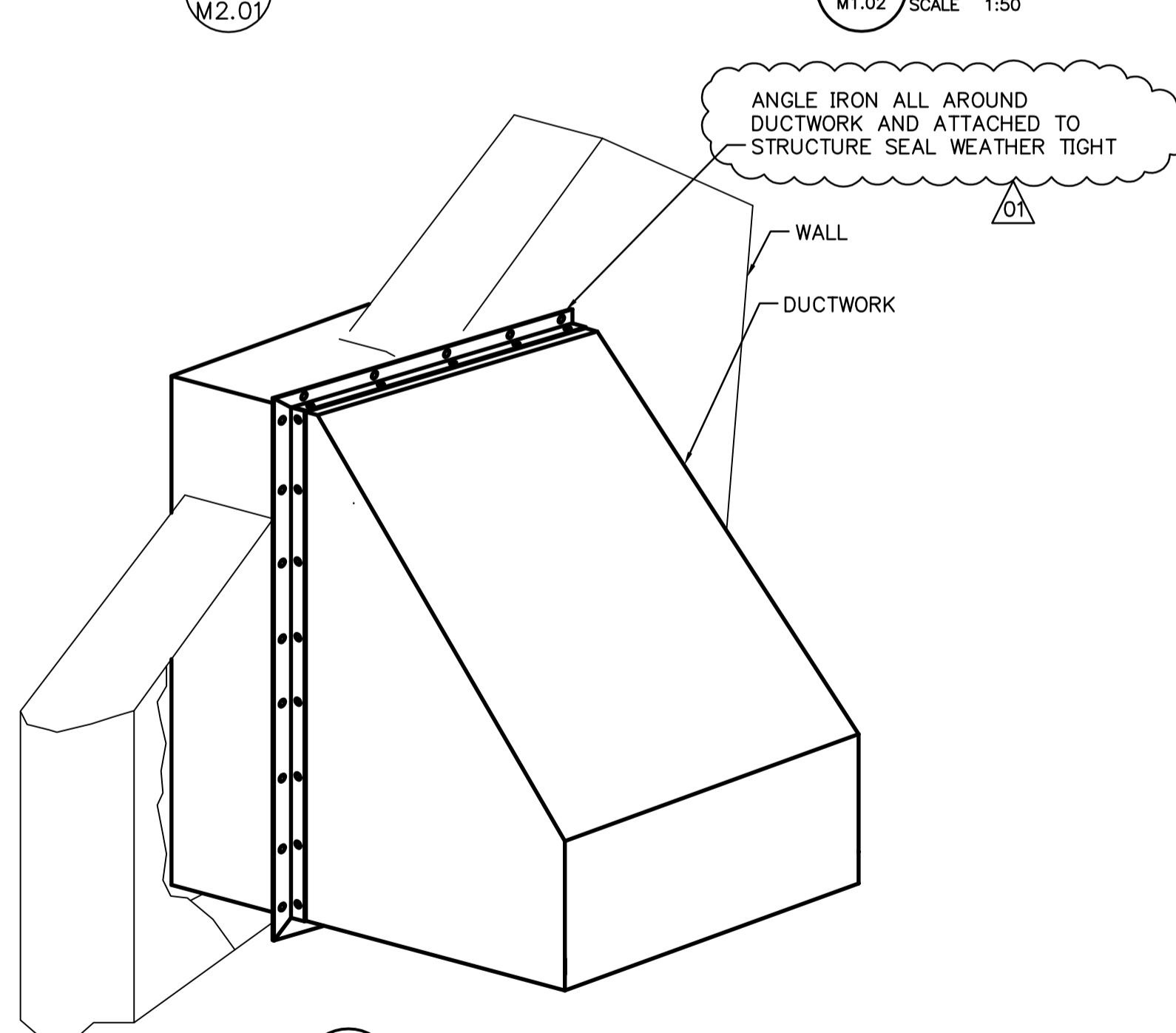


2 EXHAUST FAN BUILDING SECTION - HVAC
M1.02 SCALE 1:50

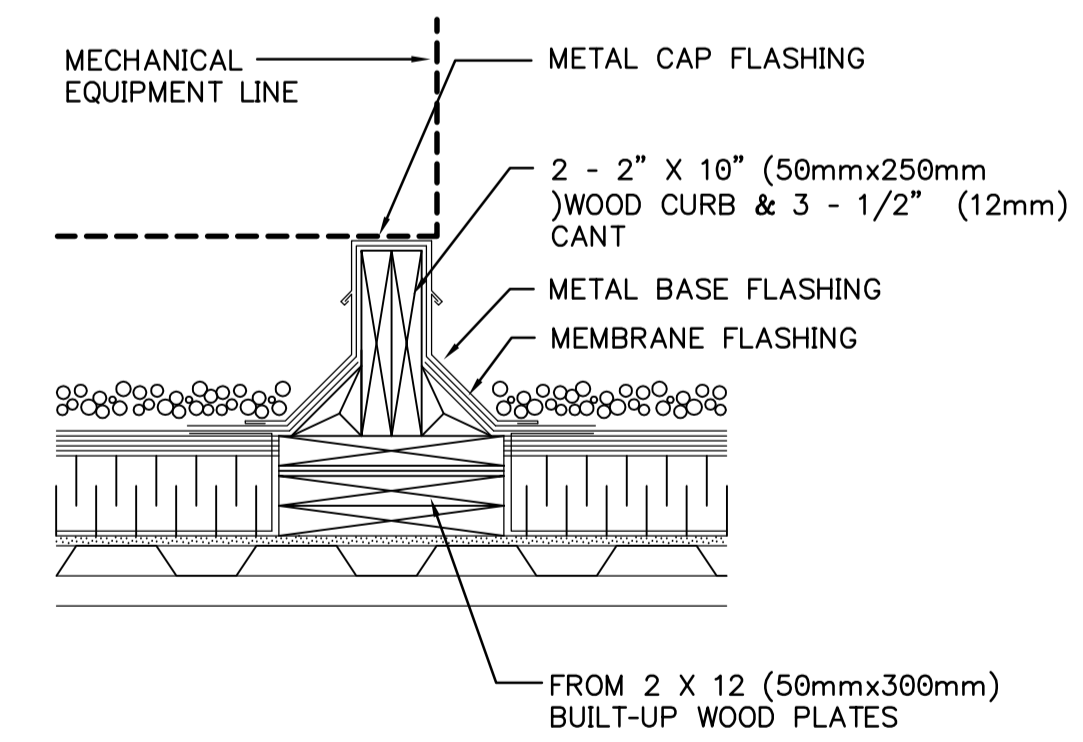
GENERAL NOTE:
1. CONTRACTOR SHALL SLEEVE THRU ALL SANITARY LINES LARGER THAN 38mm THRU SBR TANK. (SEE DETAIL). COORDINATE WITH STRUCTURAL TRADES.



3 EXHAUST FAN BUILDING SECTION - PLUMBING & HVAC
M1.02 SCALE 1:50



4 OUTSIDE AIR DUCTWORK DETAIL
SCALE N.T.S.



5 MECHANICAL EQUIPMENT CURB DETAIL
SCALE N.T.S.

APEGM
Certificate of Authorization
Earth Tech Canada Inc.
No. 730 Expiry: April 30, 2007

B.M. ELEV.					
01	291-2006 ADDENDUM 3	06/07/12	DJP		
00	ISSUED FOR TENDER	06/05/15	DJP		
NO.	REVISIONS	DATE	BY	DATE	2006/05/15

EarthTech
A Tyco International Ltd. Company

DESIGNED BY: AB
CHECKED BY: AB
DRAWN BY: DJP
APPROVED BY: JEH

SCALE: AS NOTED
RELEASED FOR CONSTRUCTION BY: K. MARTENS
DATE: 2006/05/15

ENGINEER'S SEAL
ORIGINAL SIGNED BY: A. BURACHYNSKY
2006/05/15
CONSULTANT DRAWING NO. M2.01

THE CITY OF WINNIPEG
WATER AND WASTE DEPARTMENT
ENGINEERING DIVISION
NEWPCC CENTRATE NUTRIENT TREATMENT
NITROGEN REMOVAL FACILITY

CITY FILE NUMBER
SHEET OF
CITY DRAWING NUMBER
MECHANICAL
EXHAUST FAN BUILDING - SECTIONS