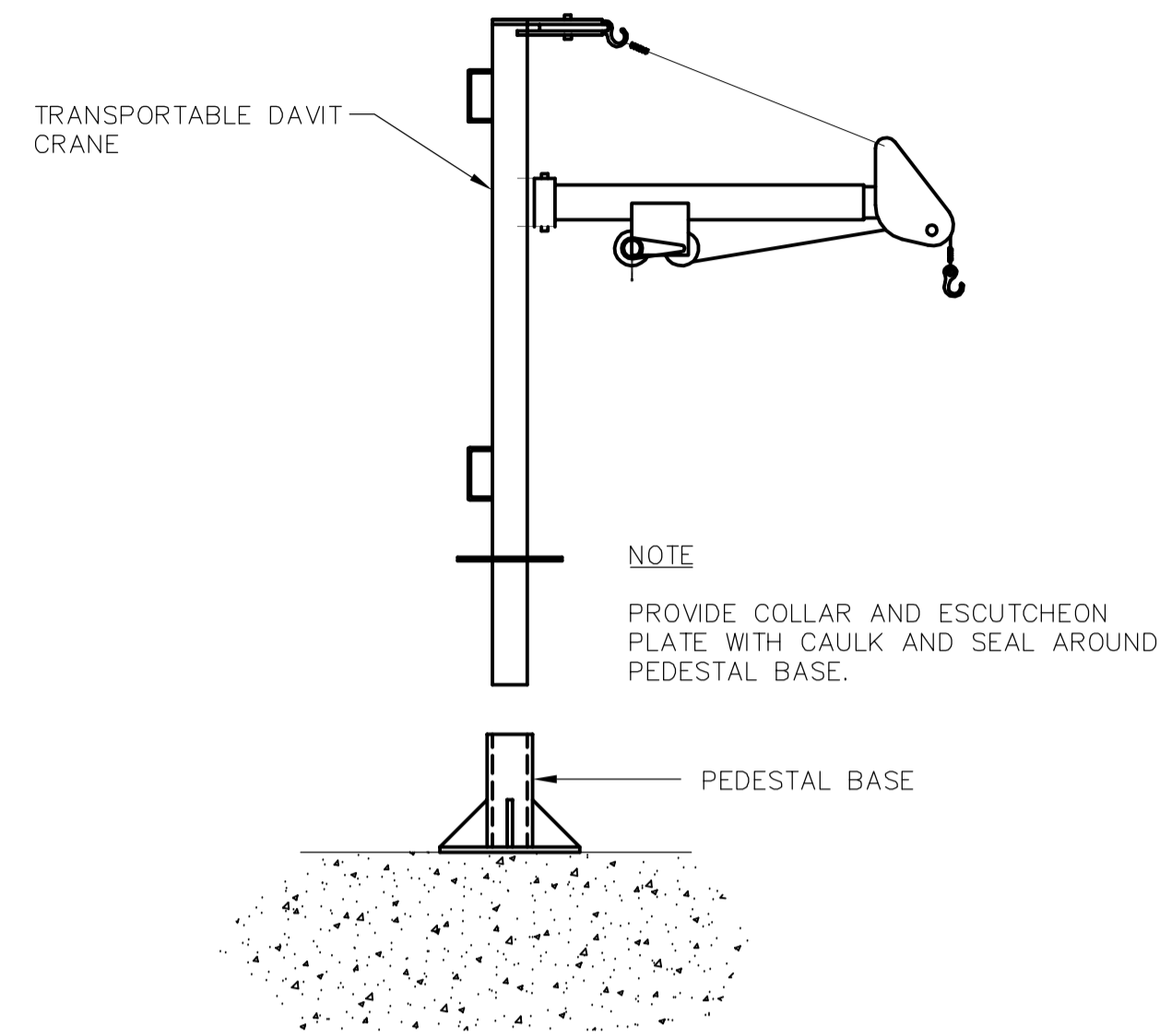
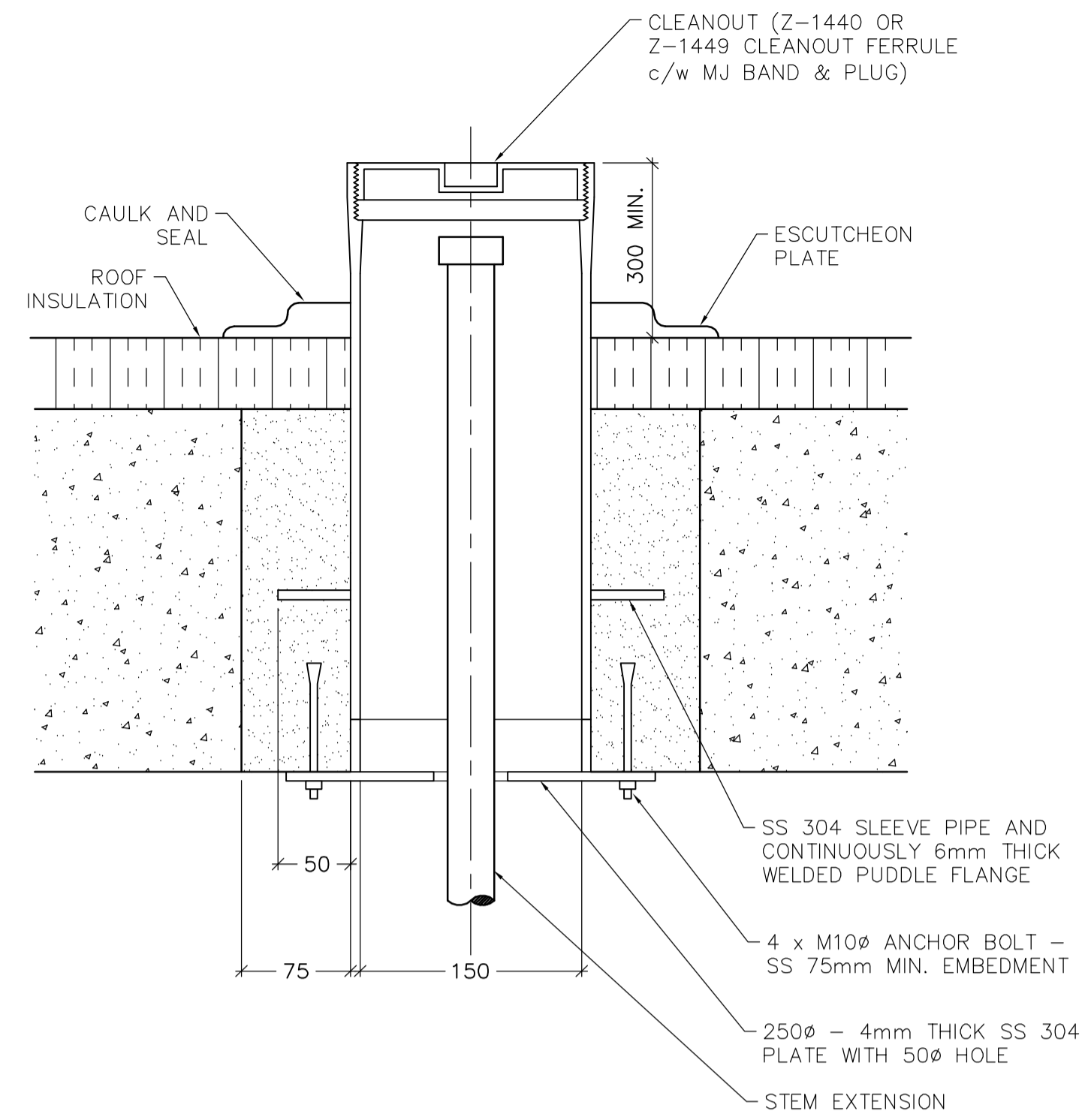


NOTES: 1. REFER TO THE MANUFACTURER'S INSTALLATION INSTRUCTIONS IN CONJUNCTION WITH THESE INSTALLATION RECOMMENDATIONS.
 2. WHERE SPECIFIC INSTALLATION CONFLICTS ARISE THAT MIGHT PREVENT THESE INSTALLATION RECOMMENDATIONS FROM BEING COMPLIED WITH, CONSULT THE CONTRACT ADMINISTRATOR BEFORE PROCEEDING WITH THE INSTALLATION.
 3. WHERE THE DRAWINGS INDICATE DIMENSIONS THAT DIFFER FROM THESE DETAILS, THE DRAWINGS SHALL TAKE PRIORITY.

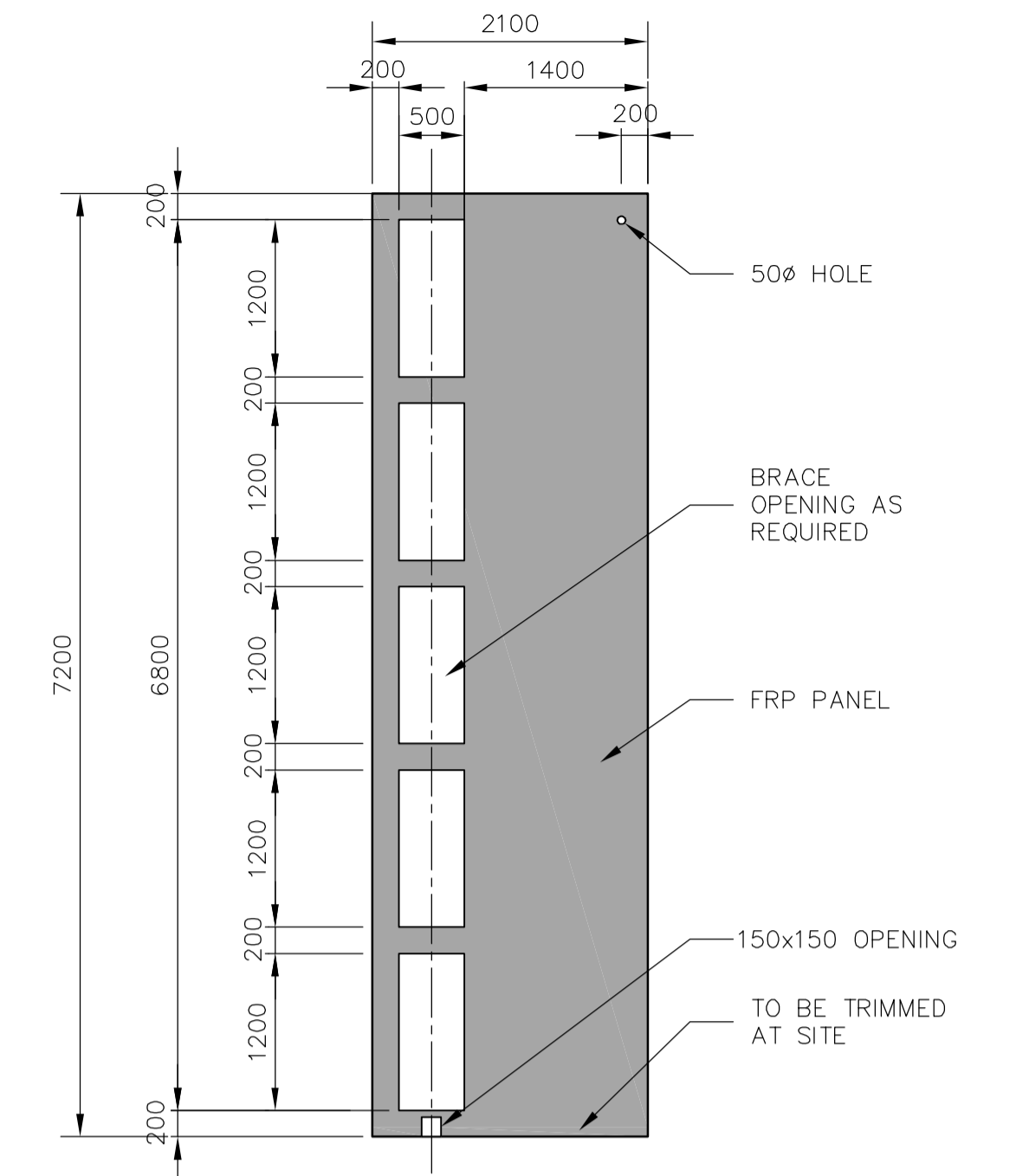
STD 707 MAGNETIC FLOWMETER INSTALLATION CONFIGURATIONS



STD 712A WINCH BASE AND SUPPORT DETAIL

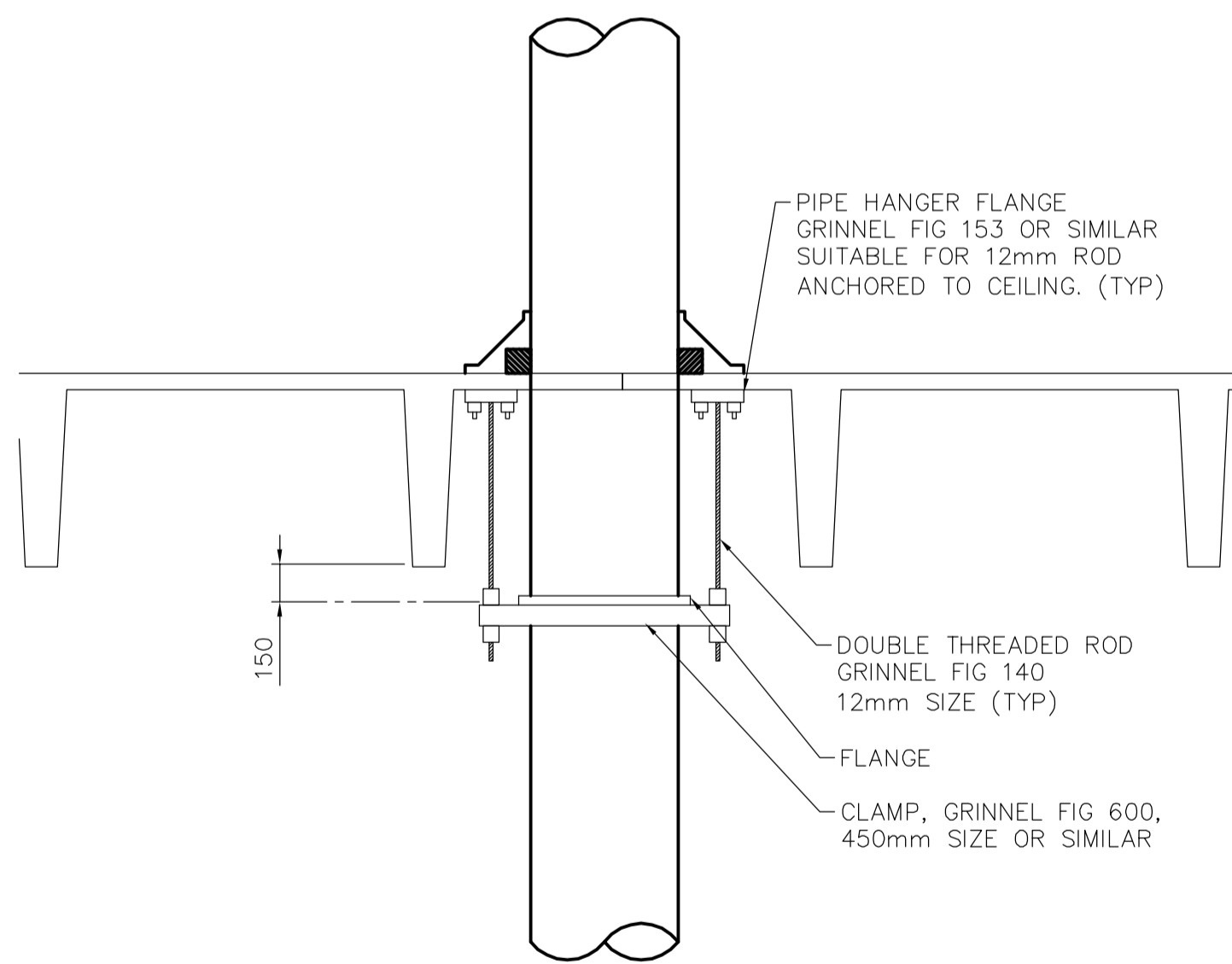


STD 729 VALVE BOX

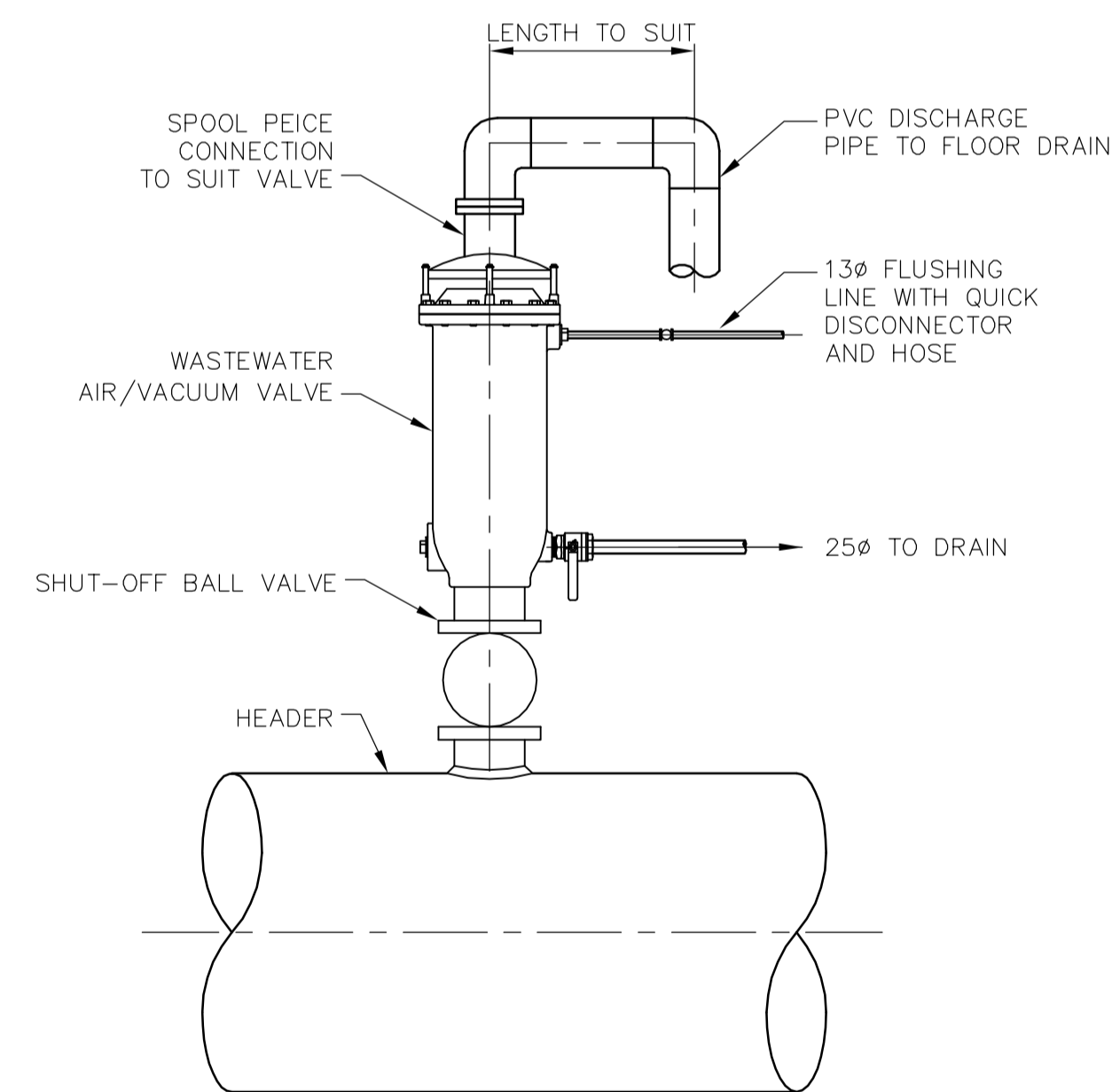


STD 732 FRP BAFFLE - SECTION

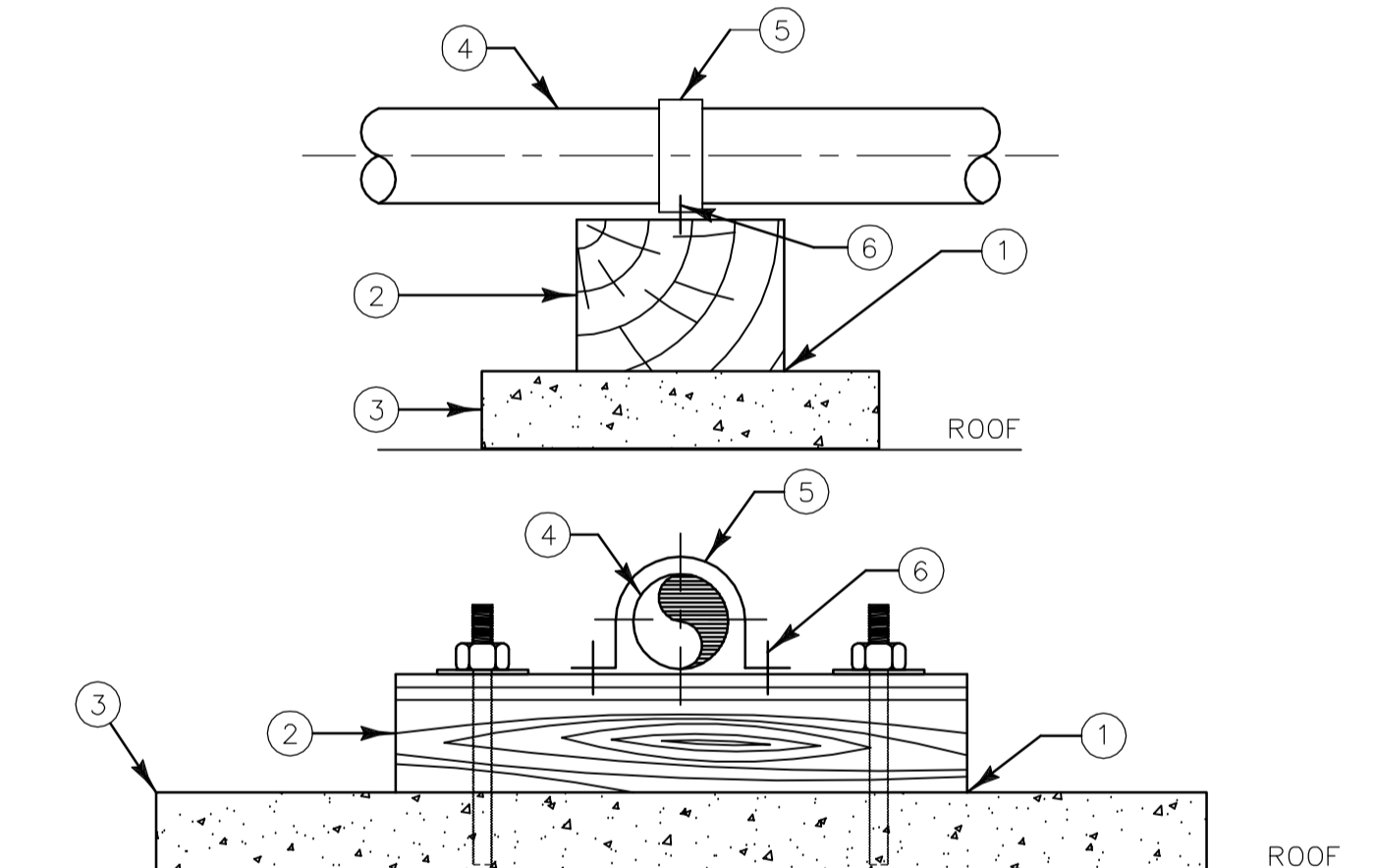
NOTES
 BAFFLE SHOWN IS ILLUSTRATIVE ONLY; SUBMIT SHOP DRAWINGS AND CALCULATIONS CONFIRMING BAFFLE IS SUITABLE FOR SERVICE CONDITIONS.
 BAFFLE TO BE 7200 MM X 2100 MM (TRIM TO FIT ANOXIC SELECTOR)
 BAFFLE TO HAVE OPEN AREA EQUIVALENT TO 3.00m² ALONG THE FULL HEIGHT OF THE BAFFLE.
 OPENINGS TO OCCUPY ONLY THE LAST ONE-THIRD OF THE BAFFLE WIDTH, THE FIRST TWO-THIRDS OF THE BAFFLE WIDTH MUST BE SOLID AS SHOWN
 REINFORCE OPENINGS AS NECESSARY
 PROVIDE 150x150 OPENING AT BOTTOM OF BAFFLE TO FACILITATE TANK DRAINAGE
 WATER DEPTH IN ANOXIC SELECTOR RANGES FROM 5.0m TO 7.0m
 WATER LEVEL ON EACH SIDE OF THE BAFFLE WILL BE EQUAL UNDER ALL CONDITIONS. THE BAFFLES DO NOT HAVE TO WITHSTAND DIFFERENTIAL WATER LEVELS



STD 734 ROOF PENETRATION HANGER DETAIL

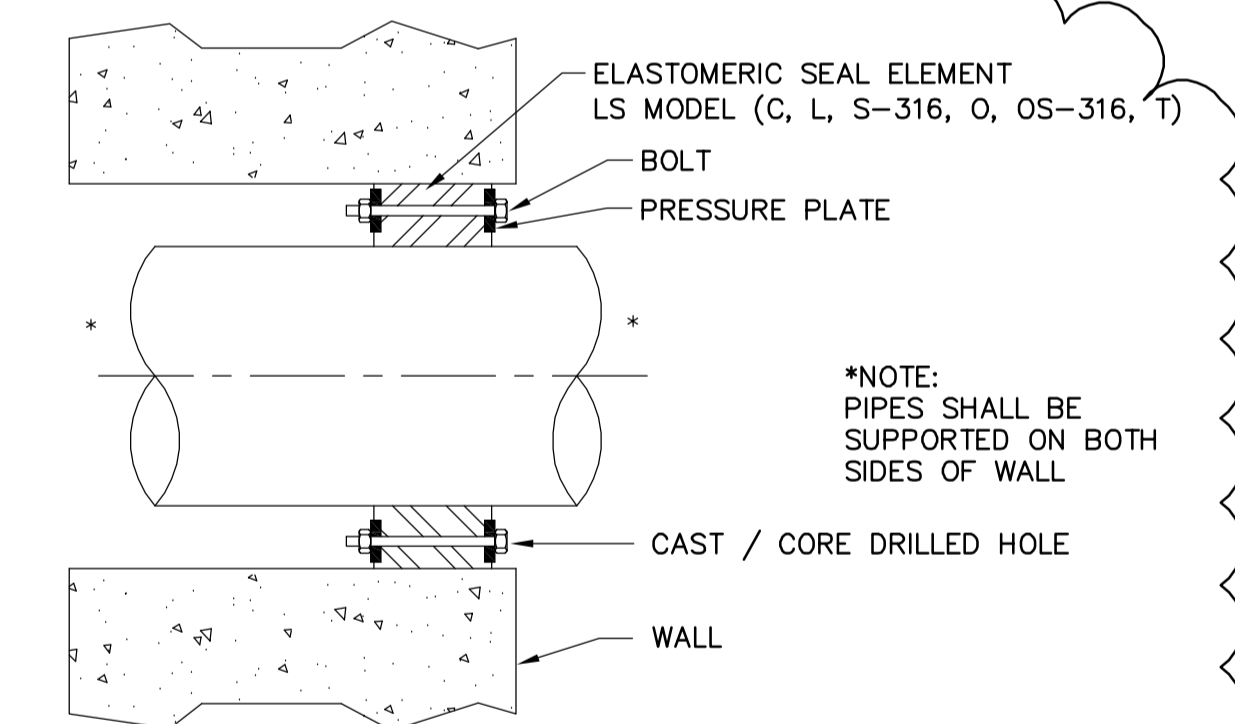


STD 735A AIR VALVE - DETAIL



- SHIMWOOD BLOCKING AS REQUIRED TO COMPENSATE FOR ROOF SLOPE.
- 4"x4"x10" LONG (100mmx100mmx250mm) PRESSURE TREATED WOOD BOLTED TO CONCRETE SLAB
- 610mmx760mm PRECAST CONCRETE SLAB, SAME AS USED FOR PATHWAY
- STEEL PIPE.
- SS 304 STRAPS GRINNELL FIG.2L2 (OR EQUAL) OVERSIZE (2 SIZES) TO ALLOW FOR PIPE MOVEMENT. PAINT PIPING WITH COLOUR AS PER SPECIFICATION.
- STAINLESS STEEL NO.12 2"(50mm) LONG WOOD SCREWS.

STD 736 PIPE SUPPORT DETAIL



*NOTE: PIPES SHALL BE SUPPORTED ON BOTH SIDES OF WALL

APPLICATION NOTES:
 1. CONCRETE WALL
 2. PIPE MATERIAL: STEEL, STAINLESS STEEL, DUCTILE IRON, PVC OR FRP PIPE; NON-INSULATED.
 3. CONDITION: a) DRY TO DRY
 b) WET TO DRY
 c) HORIZONTAL OR VERTICAL
 b) INTERIOR TO UNDERGROUND

LS Model	Seal Element	Bolts/Nuts	Pressure Plate
C	EPDM (Black)	Zinc Dichromate/Organic Coated Carbon Steel Bolt	Reinforced Nylon Polymer
L	EPDM (Blue)	Zinc Dichromate/Organic Coated Carbon Steel Bolt	Reinforced Nylon Polymer
O	Nitrile	Zinc Dichromate/Organic Coated Carbon Steel Bolt	Reinforced Nylon Polymer
T	Silicone	Zinc Dichromate/Organic Coated Carbon Steel Bolt	Steel Zinc Dichromate
(C,L,O)+S-316	(see model options)	316 Stainless Steel	Reinforced Nylon Polymer

STD 737 LINK-SEAL MODULAR SEAL CORED WALL PENETRATION

APEGM
 Certificate of Authorization
 Earth Tech Canada Inc.
 No. 730 Expiry: April 30, 2007

NO.	REVISIONS	DATE	BY
01	291-2006 ADDENDUM 3	06/07/12	LAE
00	ISSUED FOR TENDER	06/05/15	GLG

EarthTech A Tyco International Ltd. Company	
DESIGNED BY: LW	CHECKED BY: SB
DRAWN BY: GLG	APPROVED BY: JEH
SCALE: NONE	RELEASED FOR CONSTRUCTION BY: K. MARTENS
DATE: 2006/01/16	DATE: 2006/05/23

ENGINEER'S SEAL
 ORIGINAL SIGNED BY: J.E. HUTCHISON
 2006/05/15
 CONSULTANT DRAWING NO. P19.06

THE CITY OF WINNIPEG
 WATER AND WASTE DEPARTMENT
 ENGINEERING DIVISION

NEWPCC CENTRATE NUTRIENT TREATMENT NITROGEN REMOVAL FACILITY

CITY FILE NUMBER
 SHEET OF
 CITY DRAWING NUMBER

PROCESS STANDARD DETAILS SHEET 6