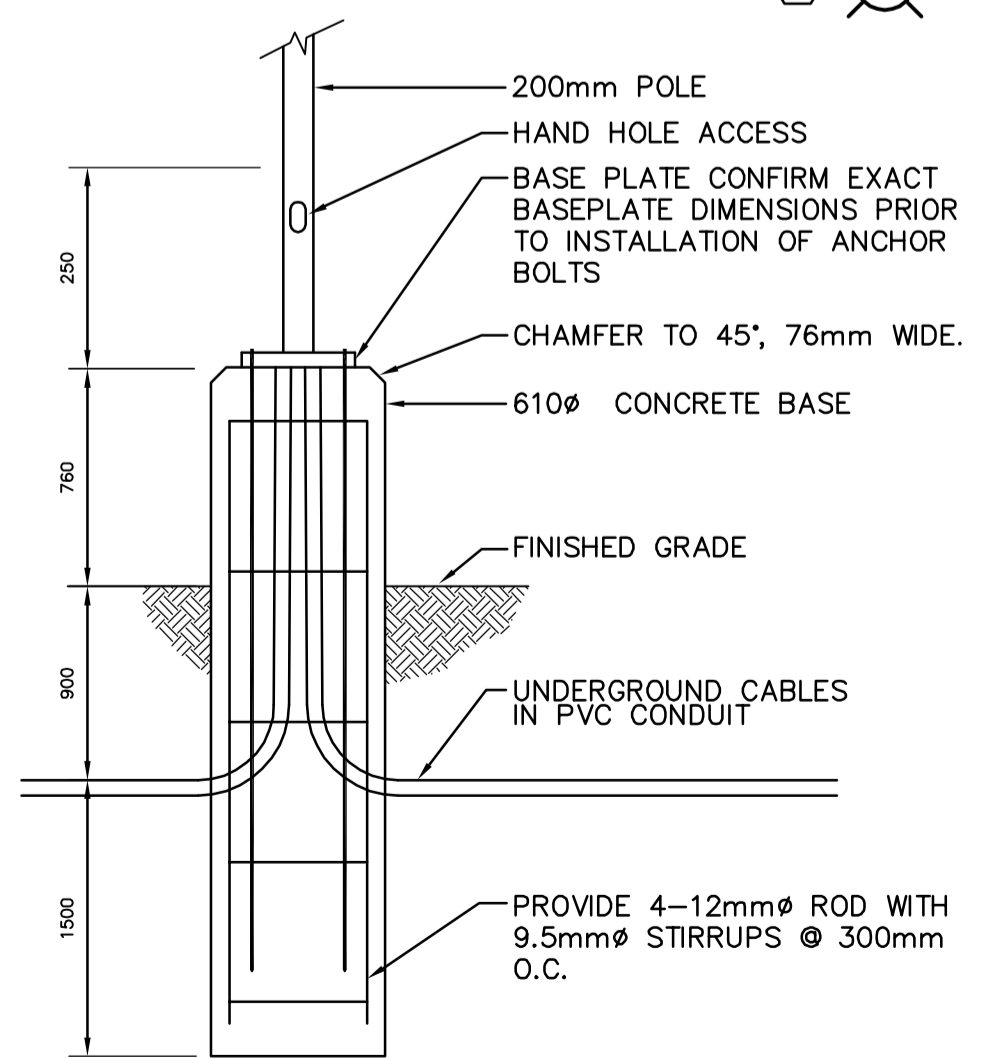


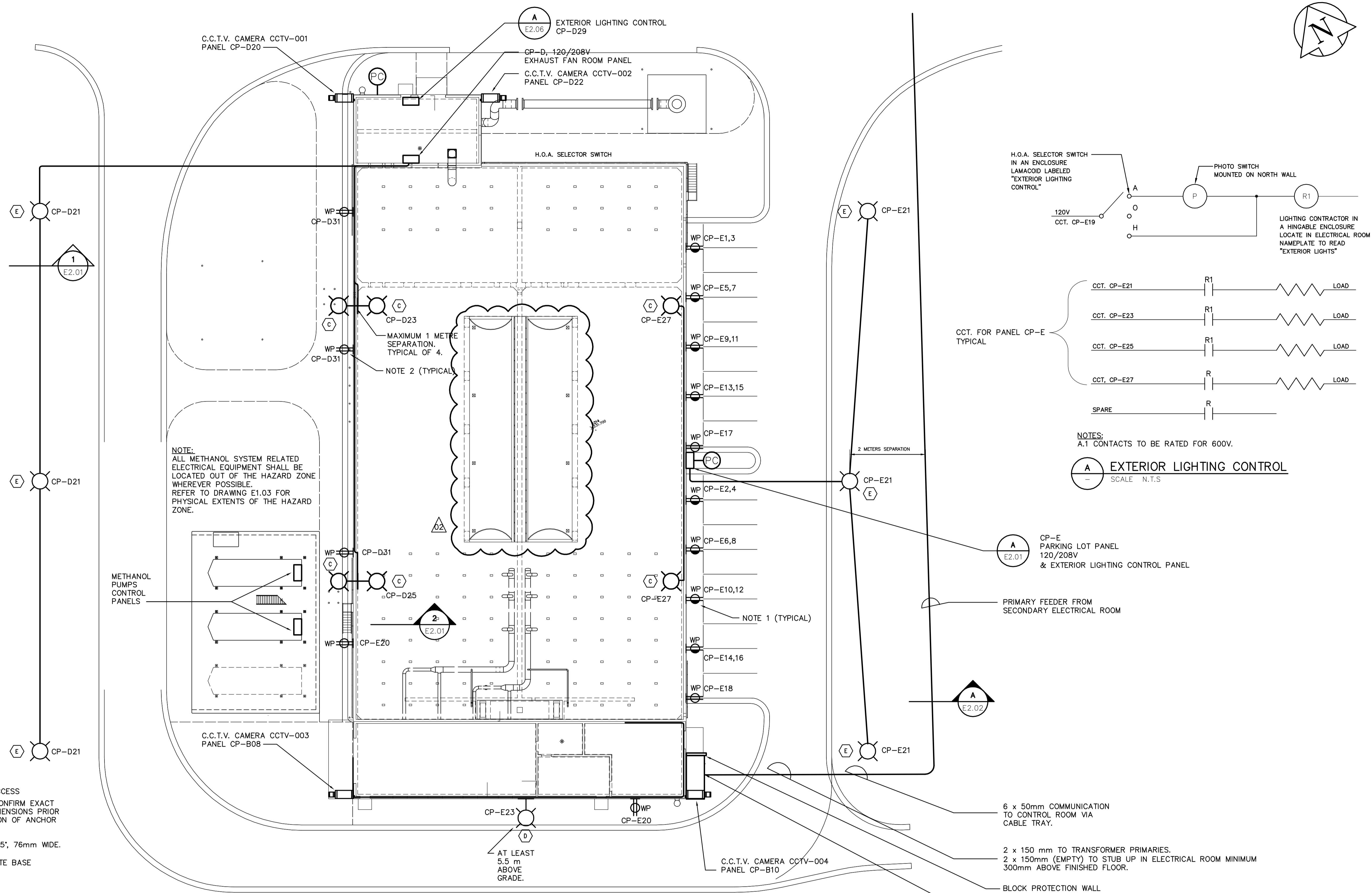
NOTES:
 2.1 TYPICAL FOR FIXTURE TYPE 'C'.
 SBR TANK MOUNTING.
 2.2 COORDINATE ALL SBR STAND EQUIPMENT
 MOUNTING WITH THE CITY AND DIVISION 3
 FOR INSTALLATION REQUIREMENTS.

2 POLE BASE DETAIL
 E2.01 SCALE N.T.S.



NOTE:
 1.1 TYPICAL FIXTURE TYPE 'E'.
1 POLE BASE DETAIL
 E2.01 SCALE N.T.S.

NOTES:
 1. PARKING RECEPTACLES SHALL BE MOUNTED
 ON EXTERIOR OF BUILDING, ONE (1) METER
 ABOVE GRADE.
 2. ALL GENERAL EXTERIOR RECEPTACLES
 SHALL BE WEATHER PROOF AND MOUNTED ONE
 (1) METER ABOVE GRADE.



SITE PLAN
 SCALE: N.T.S.

APECM
 Certificate of Authorization
 Earth Tech Canada Inc.
 No. 730 Expiry: April 30, 2007

B.M. ELEV.					
DESIGNED BY	PS	CHECKED BY	GSN		
DRAWN BY	CPG	APPROVED BY	JEH		
SCALE:	NTS	RELEASED FOR CONSTRUCTION BY:	K. MARTENS		
NO. REVISIONS		DATE		DATE	
	02	291-2006 ADDENDUM 6	06/07/26	CPG	
	01	291-2006 ADDENDUM 3	06/07/12	CPG	
	00	ISSUED FOR TENDER	06/05/15	CPG	

EarthTech
 A Tyco International Ltd. Company

DATE: 2006/02/23 DATE: 2006/05/23

ENGINEER'S SEAL
 ORIGINAL SIGNED BY
 P. STRYK
 2005/05/15
 CONSULTANT DRAWING NO.
 E2.01

THE CITY OF WINNIPEG
 WATER AND WASTE DEPARTMENT
 ENGINEERING DIVISION

NEWPCC CENTRATE NUTRIENT TREATMENT
 NITROGEN REMOVAL FACILITY

ELECTRICAL
 SITE PLAN

CITY FILE NUMBER
 SHEET OF
 CITY DRAWING NUMBER