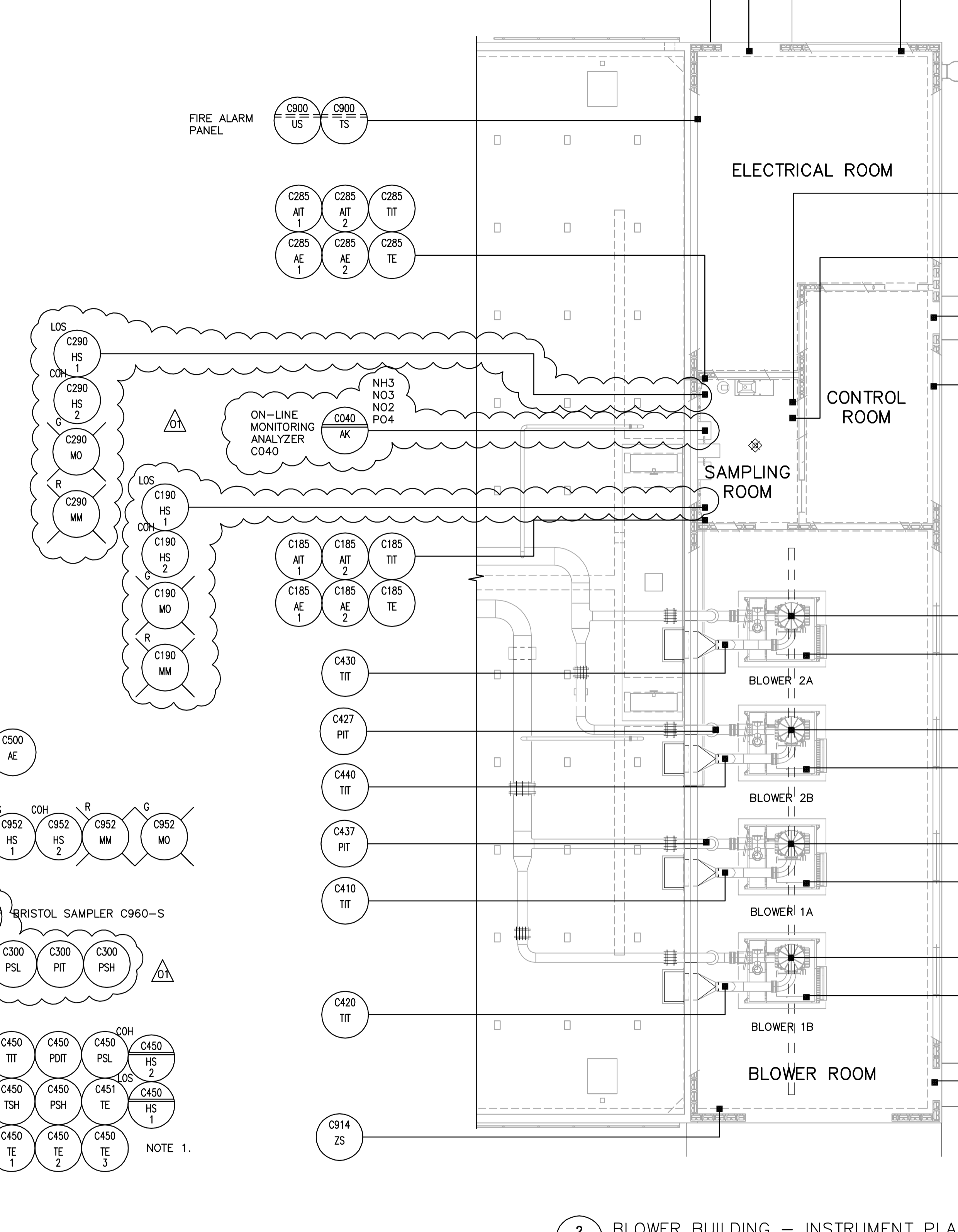
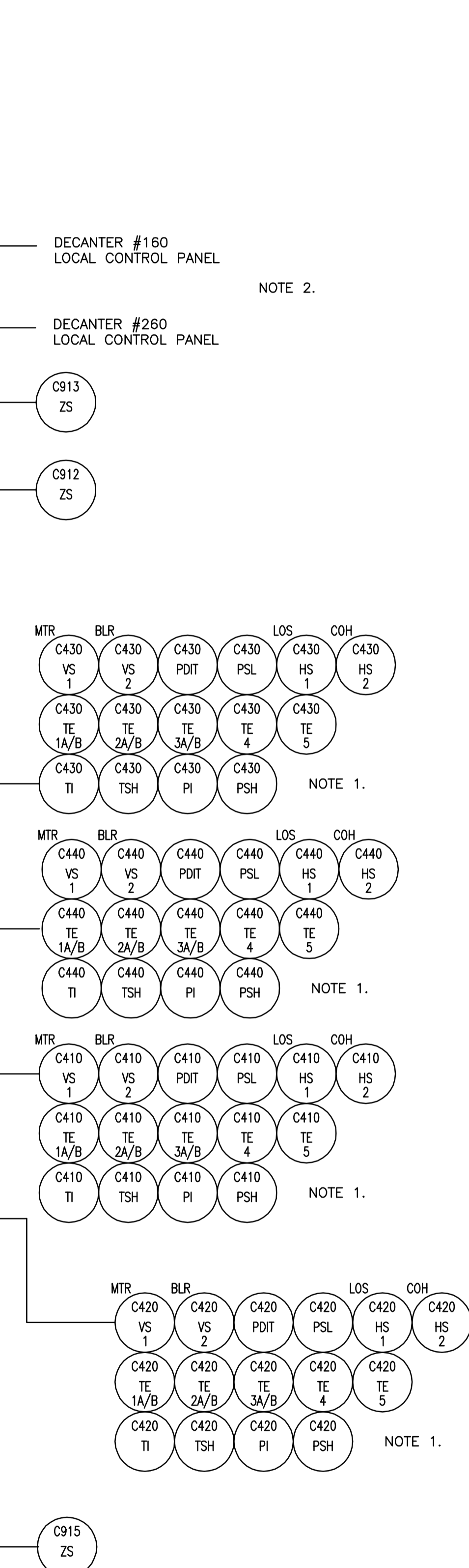


1 EXHAUST FAN ROOM - INSTRUMENT PLAN
SCALE 1:100



2 BLOWER BUILDING - INSTRUMENT PLAN
SCALE 1:100



- NOTES:
- FOR INSTRUMENTS SUPPLIED BY A PACKAGE, REFER TO VENDOR SHOP DRAWINGS FOR INSTRUMENT LOCATIONS AND I/O REQUIREMENTS.
 - REFER TO ELECTRICAL DRAWINGS FOR EXACT LOCATIONS OF ALL ELECTRICAL AND LOCAL CONTROL PANELS.
 - INSTRUMENT LOCATIONS ARE INTENDED TO BE FOR ESTIMATING PURPOSES ONLY. EXACT LOCATIONS WILL BE DETERMINED ON-SITE DURING CONSTRUCTION.

APECM
Certificate of Authorization
Earth Tech Canada Inc.
No. 730 Expiry: April 30, 2007

B.M. ELEV.			
DESIGNED BY	CD	CHECKED BY	BL
DRAWN BY	SRP	APPROVED BY	JEH
SCALE:	AS NOTED	RELEASED FOR CONSTRUCTION BY:	K. MARTENS
NO. REVISIONS	DATE	BY	DATE
01	291-2006 ADDENDUM 6	06/07/26	SRP
00	ISSUED FOR TENDER	06/05/15	CD

EarthTech
A Tyco International Ltd. Company

ENGINEER'S SEAL
ORIGINAL SIGNED BY
P. STRYK
2006/05/15

CONSULTANT DRAWING NO.
11.02

THE CITY OF WINNIPEG
WATER AND WASTE DEPARTMENT
ENGINEERING DIVISION

NEWPCC CENTRATE NUTRIENT TREATMENT
NITROGEN REMOVAL FACILITY

INSTRUMENTATION
BLOWER BUILDING & EXHAUST FAN ROOM
INSTRUMENT INSTALLATION PLANS

CITY FILE NUMBER
SHEET OF
CITY DRAWING NUMBER