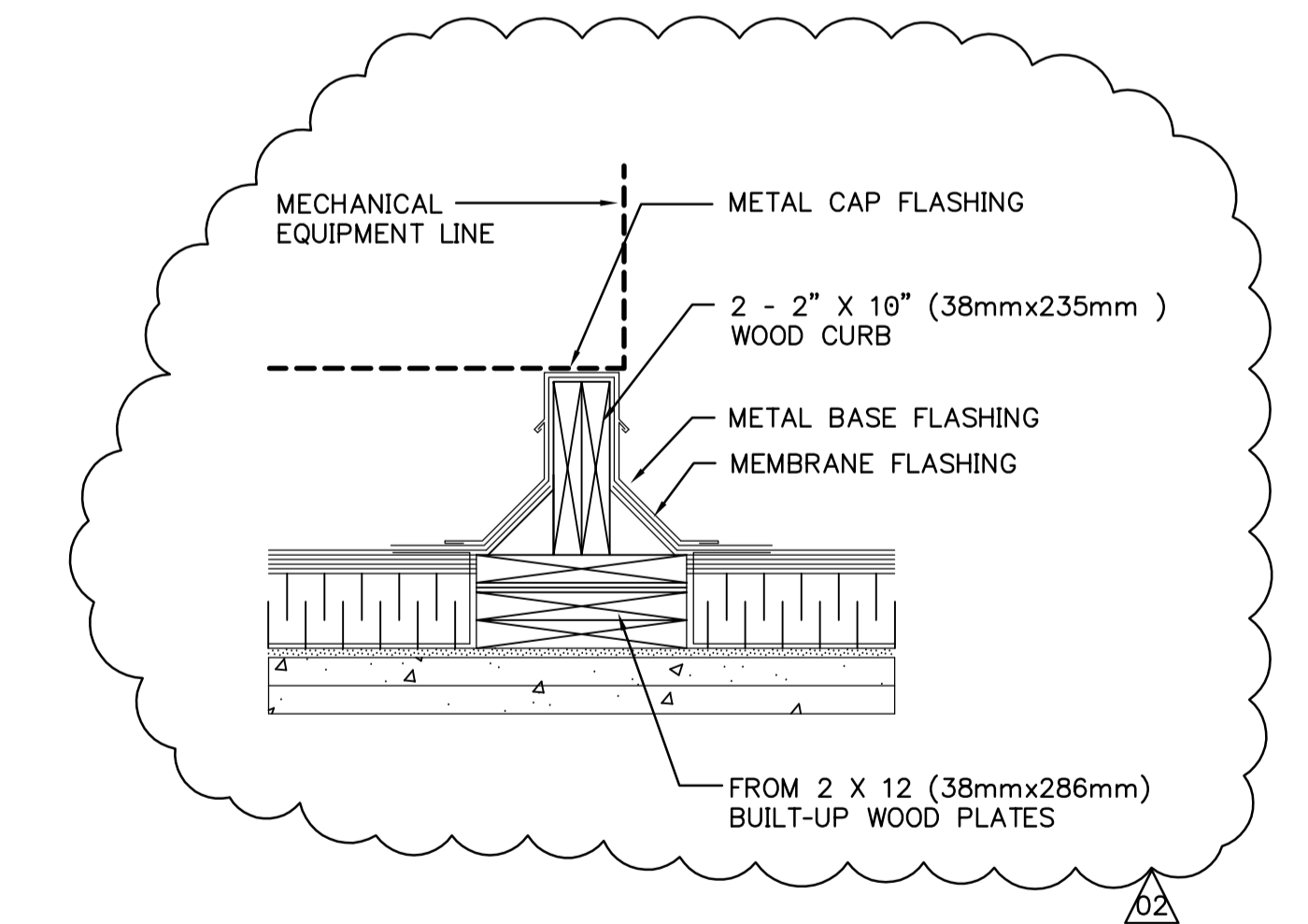
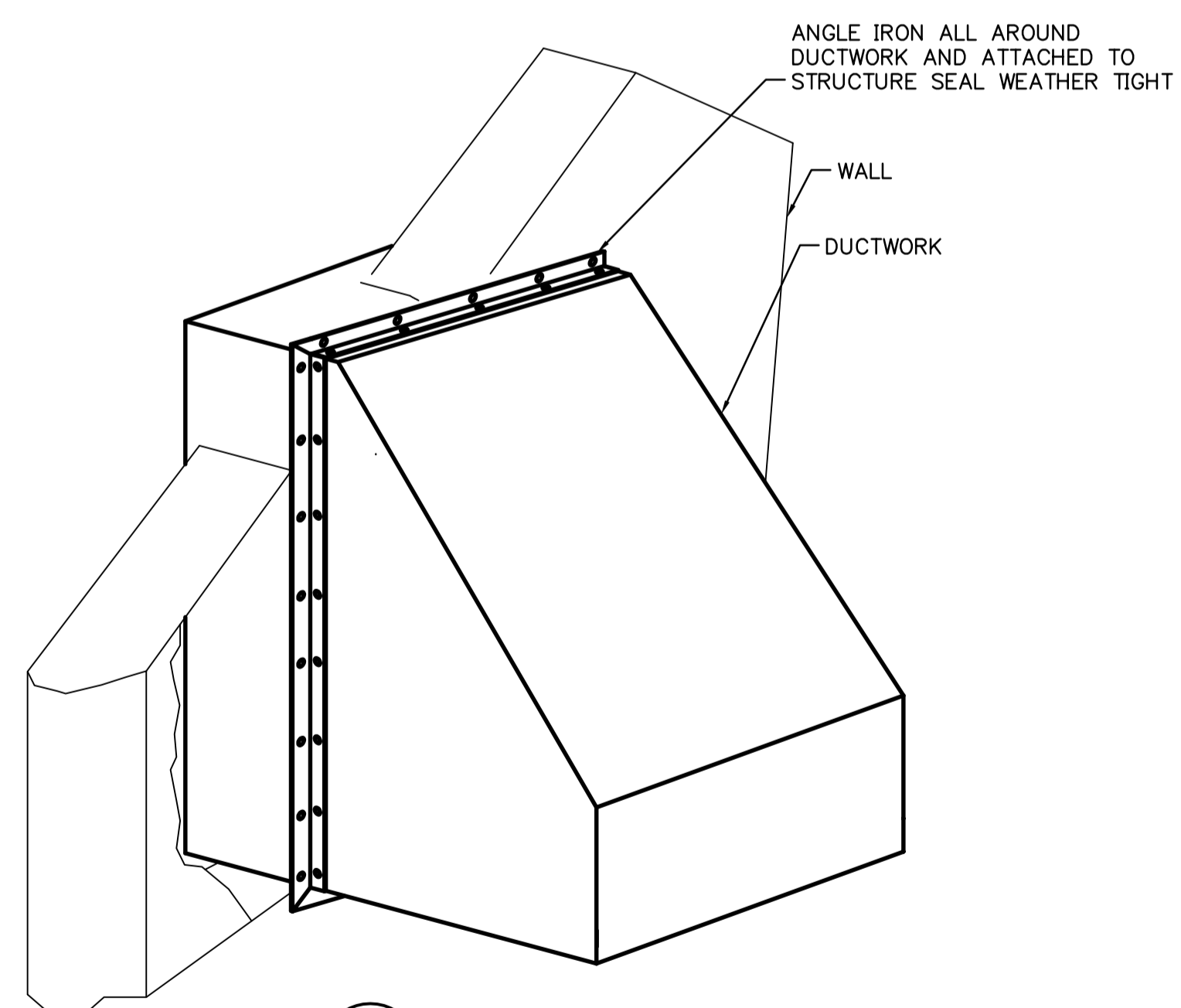
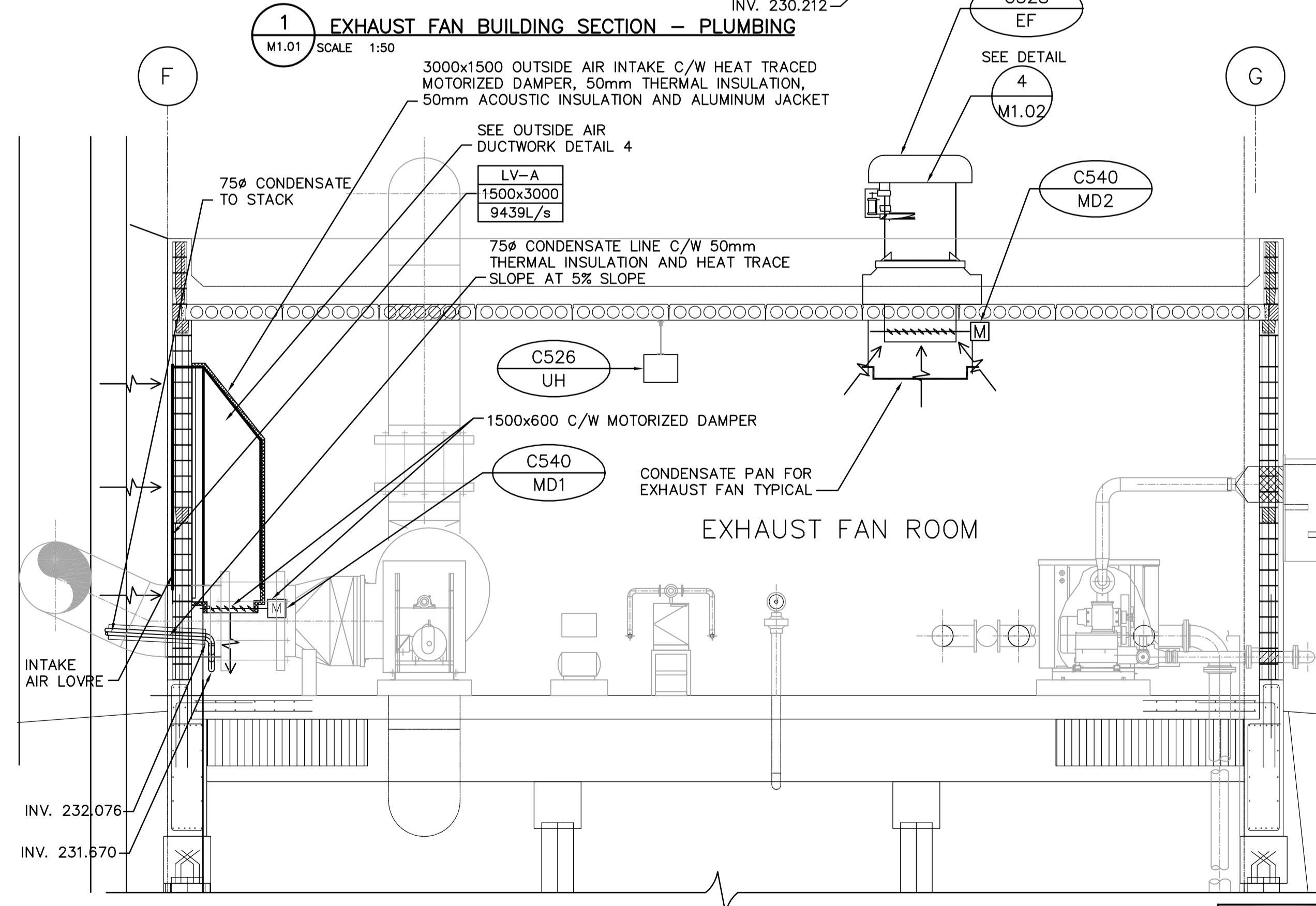


GENERAL NOTE:
1. CONTRACTOR SHALL SLEEVE THRU ALL SANITARY LINES LARGER THAN 38mm THRU SBR TANK. (SEE DETAIL). COORDINATE WITH STRUCTURAL TRADES.



<p>EarthTech A Tyco International Ltd. Company</p>		<p>ENGINEER'S SEAL</p> <p>ORIGINAL SIGNED BY A. BURACHYNSKY 2006/05/15</p>		<p>THE CITY OF WINNIPEG WATER AND WASTE DEPARTMENT ENGINEERING DIVISION</p>																	
<p>DESIGNED BY: AB</p> <p>CHECKED BY: AB</p> <p>DRAWN BY: DJP</p> <p>APPROVED BY: JEH</p> <p>SCALE: AS NOTED</p> <p>RELEASED FOR CONSTRUCTION BY: K. MARTENS</p>		<p>CONSULTANT DRAWING NO. M2.01</p>		<p>NEWPC CENTRATE NUTRIENT TREATMENT NITROGEN REMOVAL FACILITY</p> <p>MECHANICAL EXHAUST FAN BUILDING - SECTIONS</p>																	
<p>Certificate of Authorization Earth Tech Canada Inc. No. 730 Expiry: April 30, 2007</p>		<table border="1"> <tr> <th>B.M. ELEV.</th> <th>DATE</th> <th>BY</th> <th>DATE</th> </tr> <tr> <td>02</td> <td>291-2006 ADDENDUM 6</td> <td>06/07/26</td> <td>DJP</td> </tr> <tr> <td>01</td> <td>291-2006 ADDENDUM 3</td> <td>06/07/12</td> <td>DJP</td> </tr> <tr> <td>00</td> <td>ISSUED FOR TENDER</td> <td>06/05/15</td> <td>DJP</td> </tr> </table>		B.M. ELEV.	DATE	BY	DATE	02	291-2006 ADDENDUM 6	06/07/26	DJP	01	291-2006 ADDENDUM 3	06/07/12	DJP	00	ISSUED FOR TENDER	06/05/15	DJP	<p>CITY FILE NUMBER</p> <p>SHEET OF</p> <p>CITY DRAWING NUMBER</p>	
B.M. ELEV.	DATE	BY	DATE																		
02	291-2006 ADDENDUM 6	06/07/26	DJP																		
01	291-2006 ADDENDUM 3	06/07/12	DJP																		
00	ISSUED FOR TENDER	06/05/15	DJP																		