

EXTRA REINFORCING AROUND PIPE UP TO 1250Ø MAX. CAST IN WALL OR FLOOR SLAB

SCALE N.T.S.

TYPICAL GRADE BEAM CORNER REINFORCING

SCALE N.T.S.

CORNER BARS SAME SIZE AND SPACING AS HORIZONTAL REINFORCING

CONCRETE SLAB CONSTRUCTION JOINT

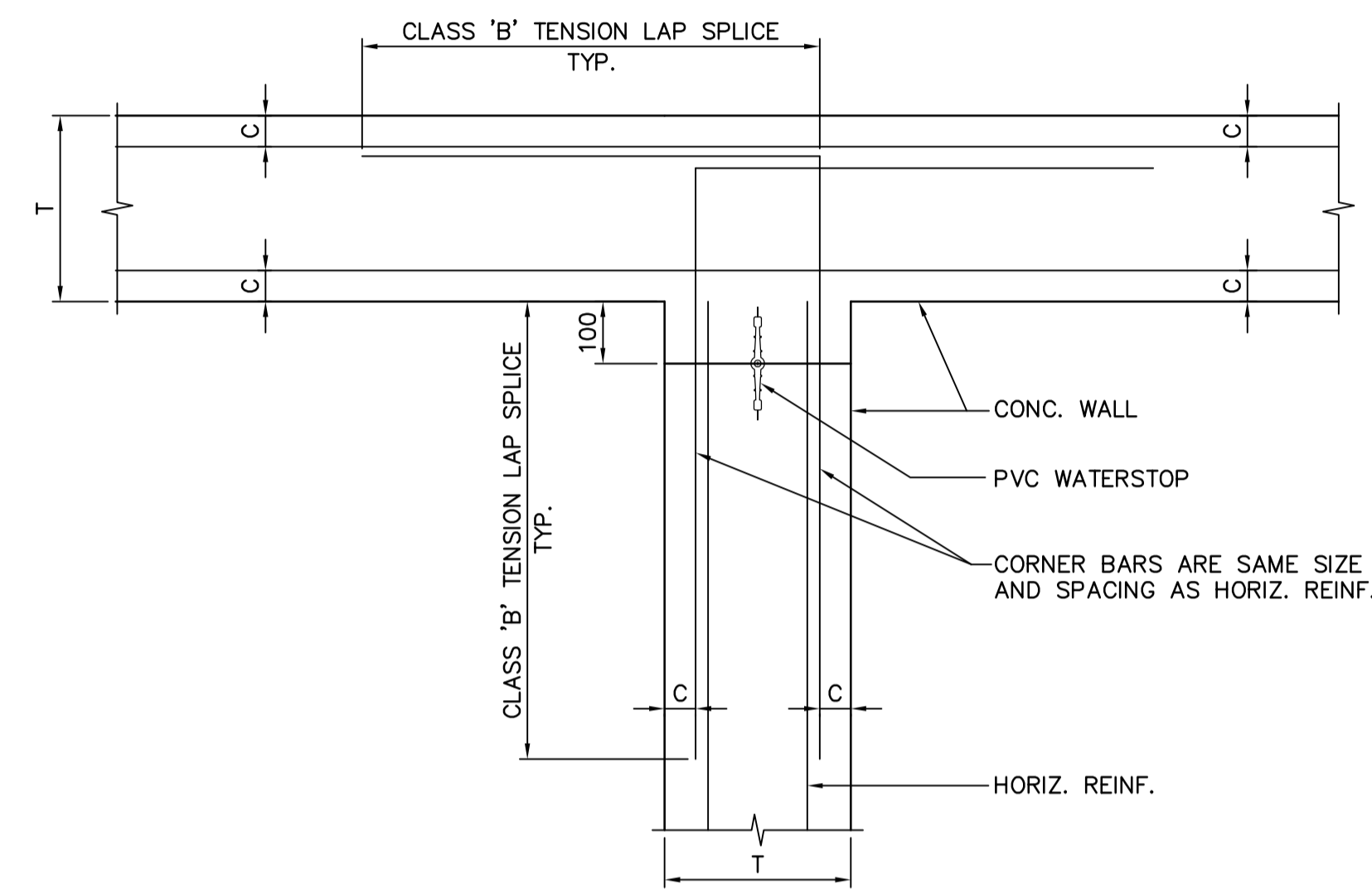
SCALE N.T.S.

TRANSVERSE REINFORCING NOT SHOWN FOR CLARITY.

TYPICAL REINFORCING AROUND OPENINGS IN CONCRETE SLAB OR WALL

SCALE N.T.S.

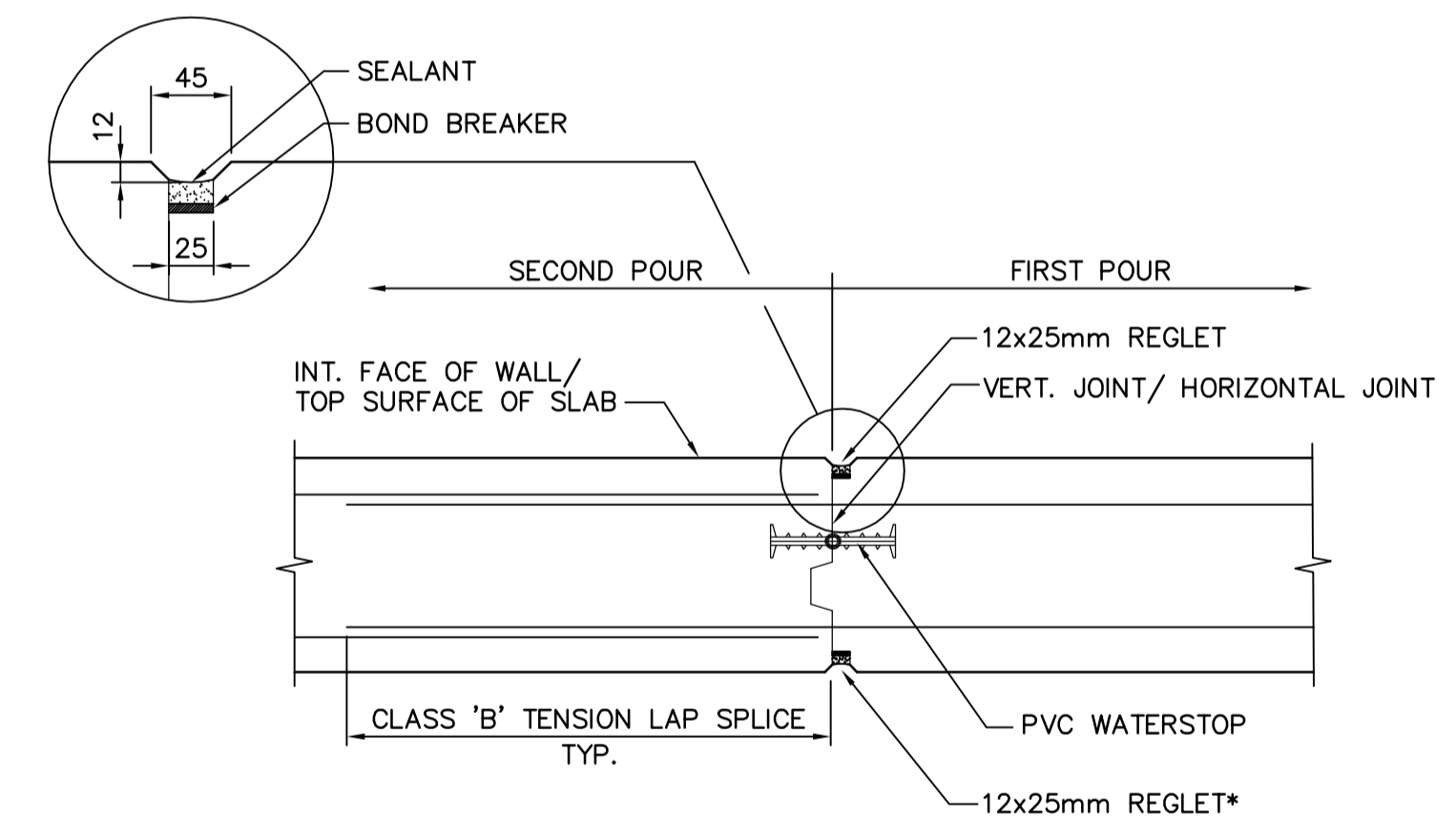
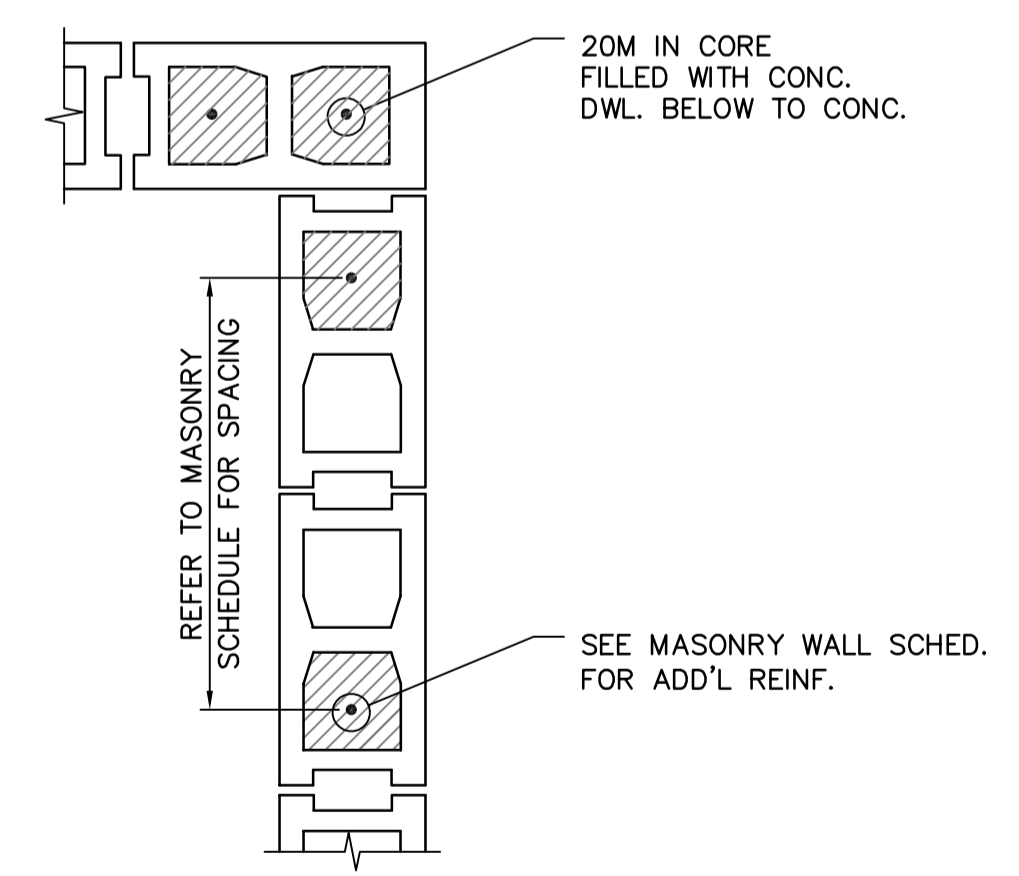
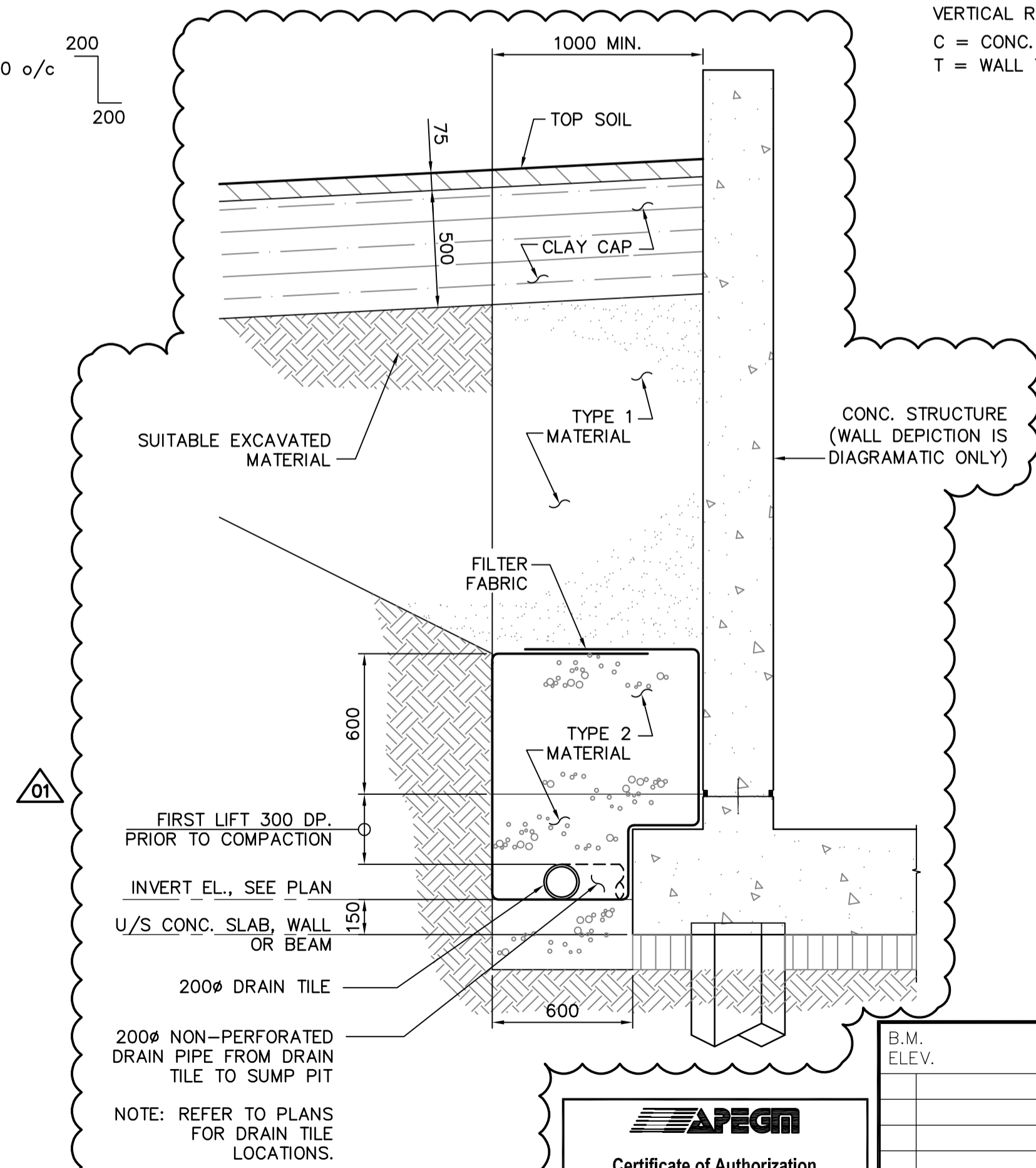
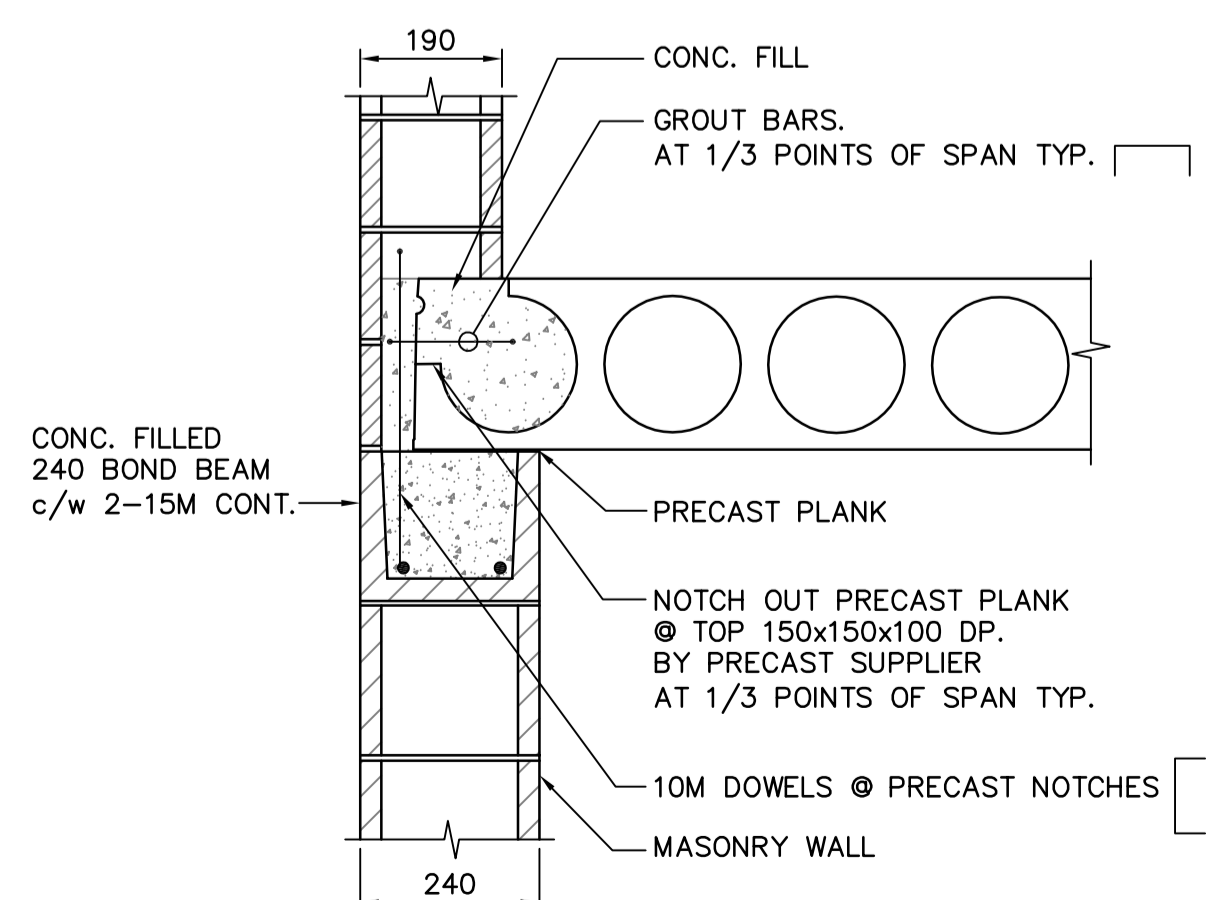
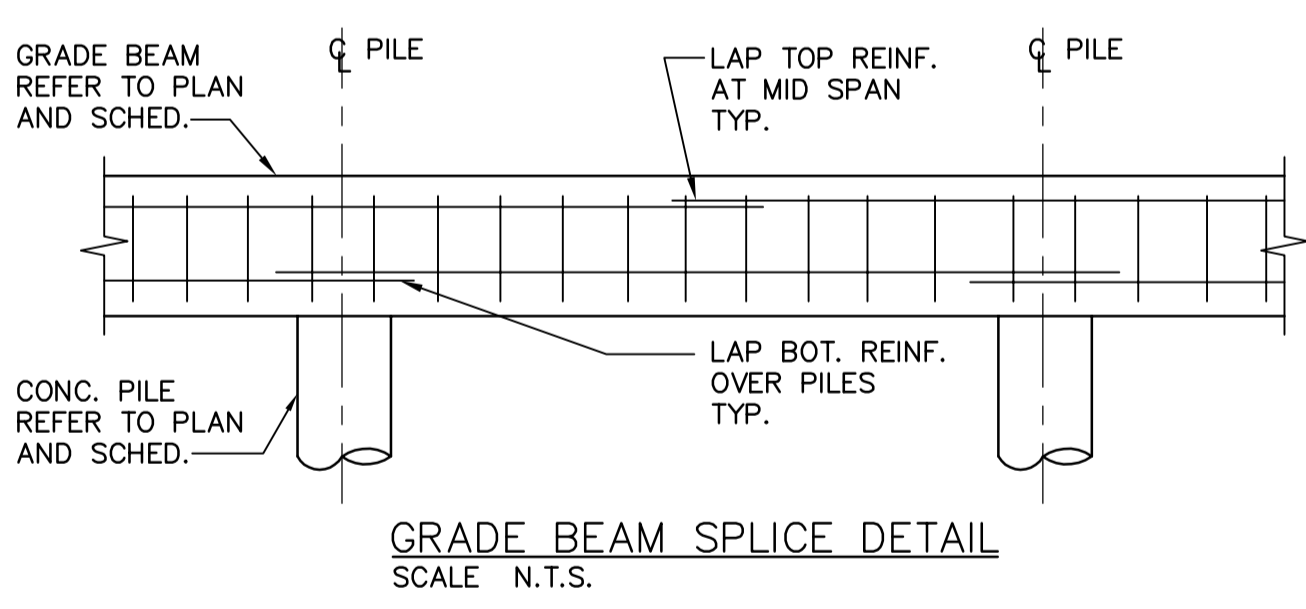
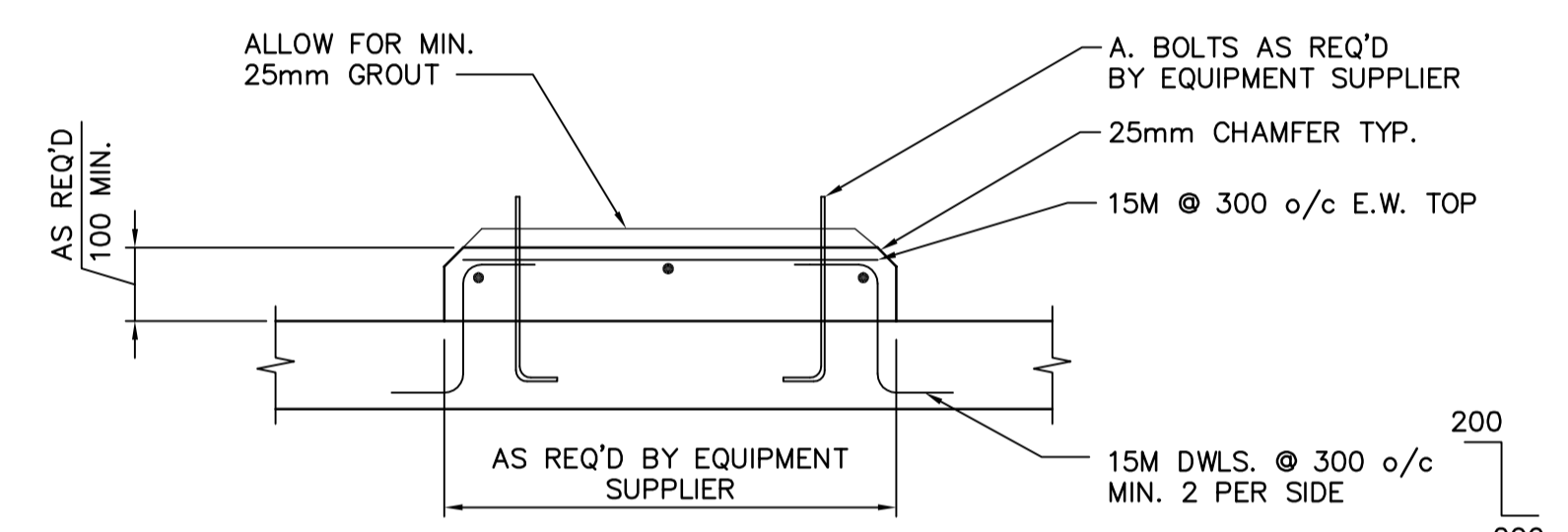
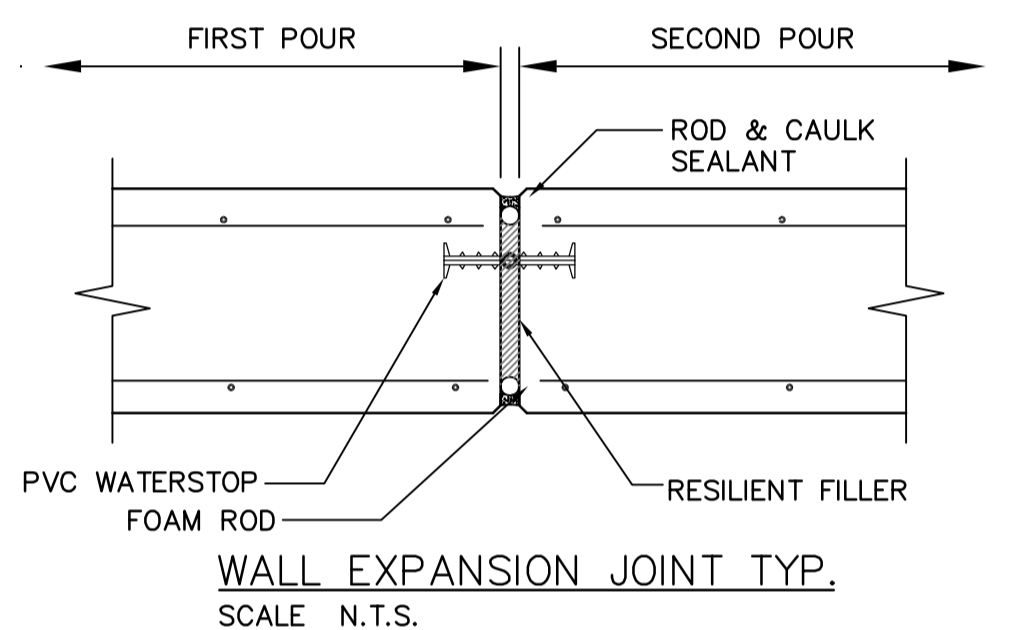
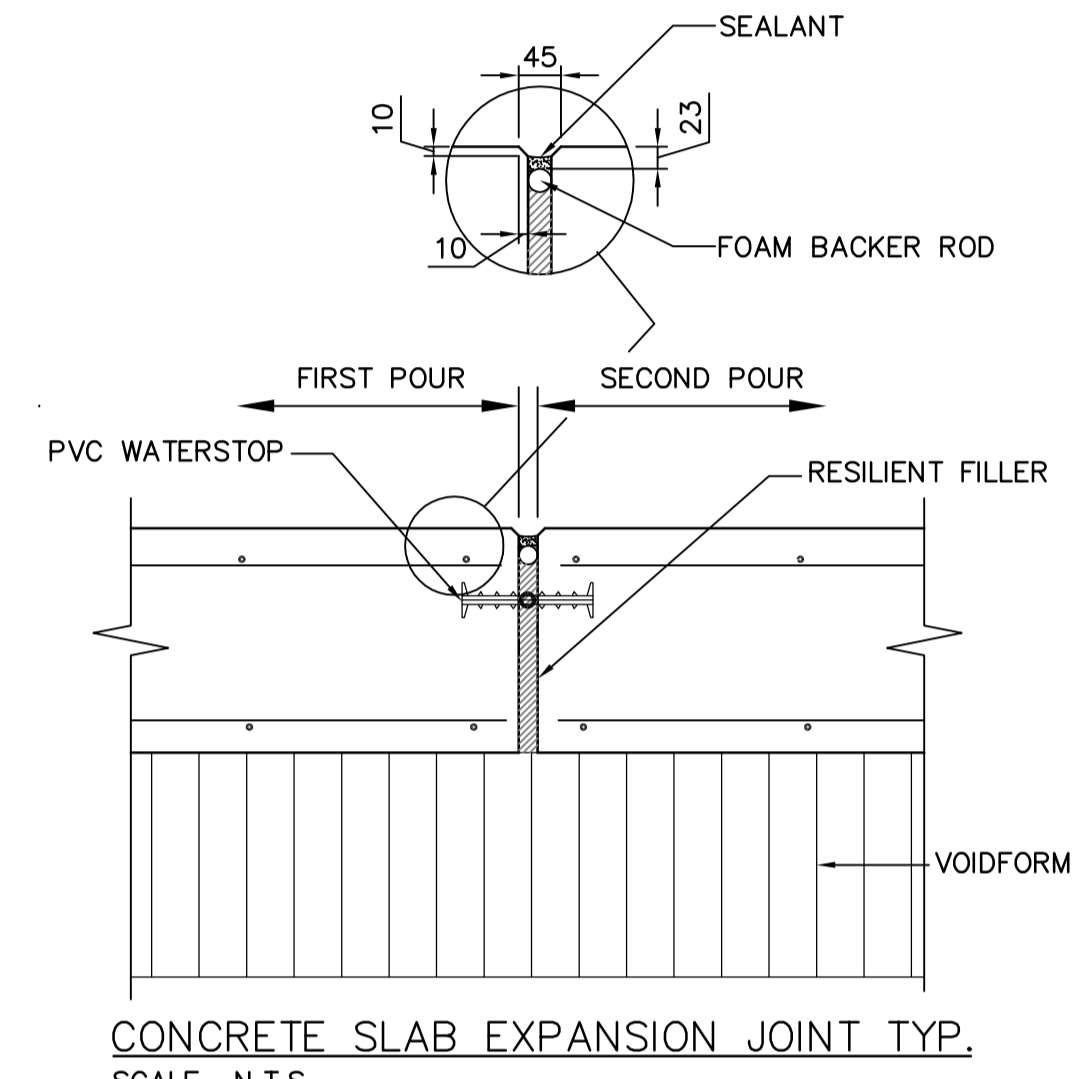
1. NUMBER OF REINFORCING BARS TO BE CUT AT OPENING TO BE KEPT AT A MINIMUM. DEFLECT AS MANY BARS AS POSSIBLE AROUND OPENING.
2. REINFORCING BARS TO BE KEPT MINIMUM 50 CLEAR OF OPENING.
3. CIRCULAR OPENINGS TO BE TREATED IN SAME MANNER AS RECTANGULAR UNLESS OTHERWISE DETAILED.



VERTICAL REINFORCING NOT SHOWN FOR CLARITY.

C = CONC. COVER AS SPECIFIED

T = WALL THICKNESS, REFER TO SCHED.



APECA
Certificate of Authorization
Earth Tech Canada Inc.
No. 730 Expiry: April 30, 2007

NO.	REVISIONS	DATE	BY
01	291-2006 ADDENDUM 6	06/07/26	CMF
00	ISSUED FOR TENDER	06/05/15	WDB

DESIGNED BY	LLR	CHECKED BY	GGP
DRAWN BY	WDB	APPROVED BY	JEH
SCALE:	AS NOTED	RELEASED FOR CONSTRUCTION BY:	K. MARTENS
DATE	2006/02/01	DATE	2006/05/15

ENGINEER'S SEAL

ORIGINAL SIGNED BY

LL. RIDING

2006/05/15

CONSULTANT DRAWING NO.

S0.02

THE CITY OF WINNIPEG
WATER AND WASTE DEPARTMENT
ENGINEERING DIVISION

NEWPCC CENTRATE NUTRIENT TREATMENT NITROGEN REMOVAL FACILITY

CITY FILE NUMBER

SHEET OF

CITY DRAWING NUMBER

1-0101C-D-S0002-001-01D

STRUCTURAL
SBR BUILDING
STANDARD DETAILS