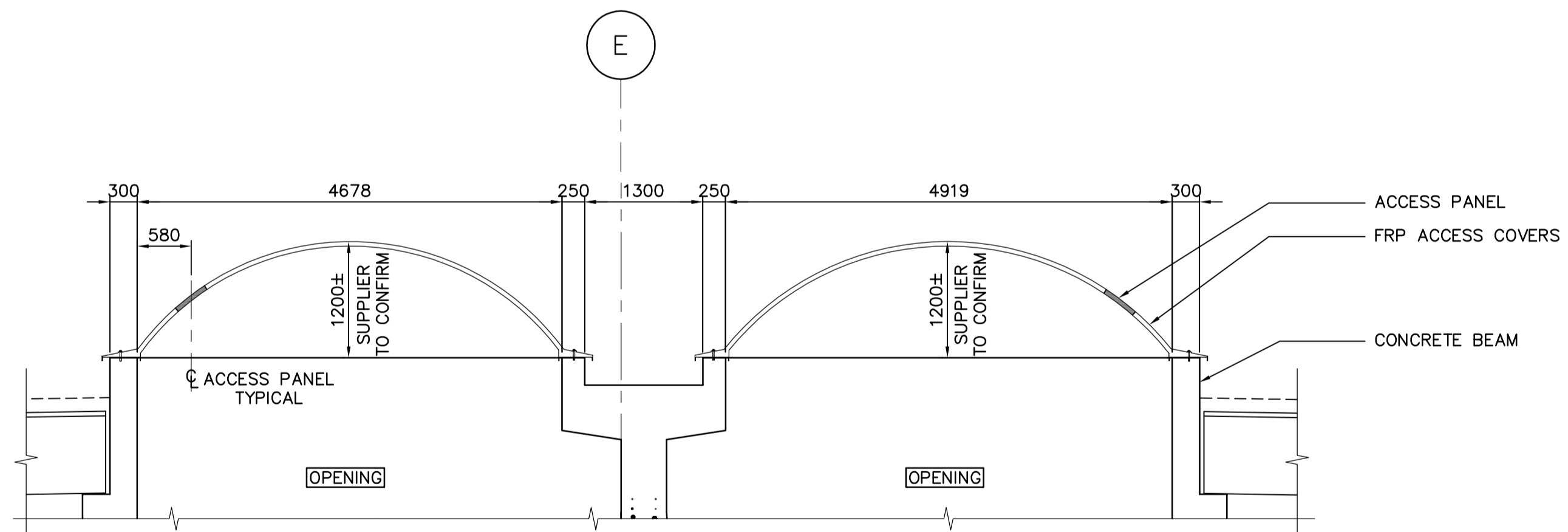


PLAN VIEW - FRP COVER

SCALE = 1:100



A SECTION THRU OPENING

S3.09 SCALE 1:50

<p>Certificate of Authorization Earth Tech Canada Inc. No. 730 Expiry: April 30, 2007</p>	B.M. ELEV.	<p>EarthTech A Tyco International Ltd. Company</p>	ENGINEER'S SEAL	<p>THE CITY OF WINNIPEG WATER AND WASTE DEPARTMENT ENGINEERING DIVISION</p>	
	DESIGNED BY: LLR		CHECKED BY: GGP		ORIGINAL SIGNED BY: L.L. RIDING
	DRAWN BY: K.K		APPROVED BY: JEH		2006/05/15
	SCALE: AS NOTED		RELEASED FOR CONSTRUCTION BY: K. MARTENS		CONSULTANT DRAWING NO. S3.09
01 291-2006 ADDENDUM 6 06/07/26 CMF	00 ISSUED FOR TENDER 06/05/15 WDB	DATE 2006/04/22	DATE 2006/05/15	NEWPCC CENTRATE NUTRIENT TREATMENT NITROGEN REMOVAL FACILITY CITY FILE NUMBER SHEET OF CITY DRAWING NUMBER 1-0101C-A-S0010-001-01D	
STRUCTURAL SBR BUILDING FRP COVER PLAN, SECTIONS & DETAILS					