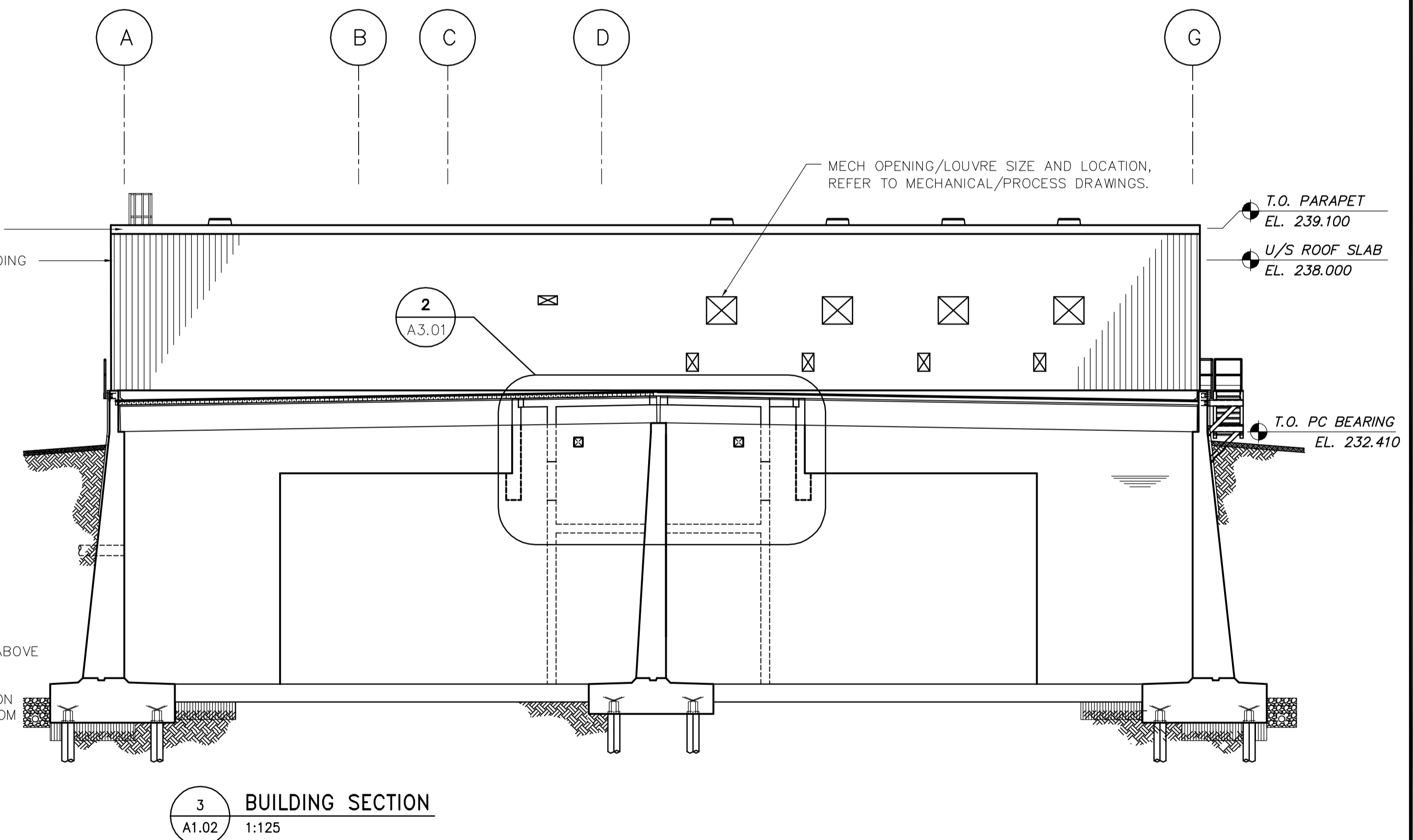
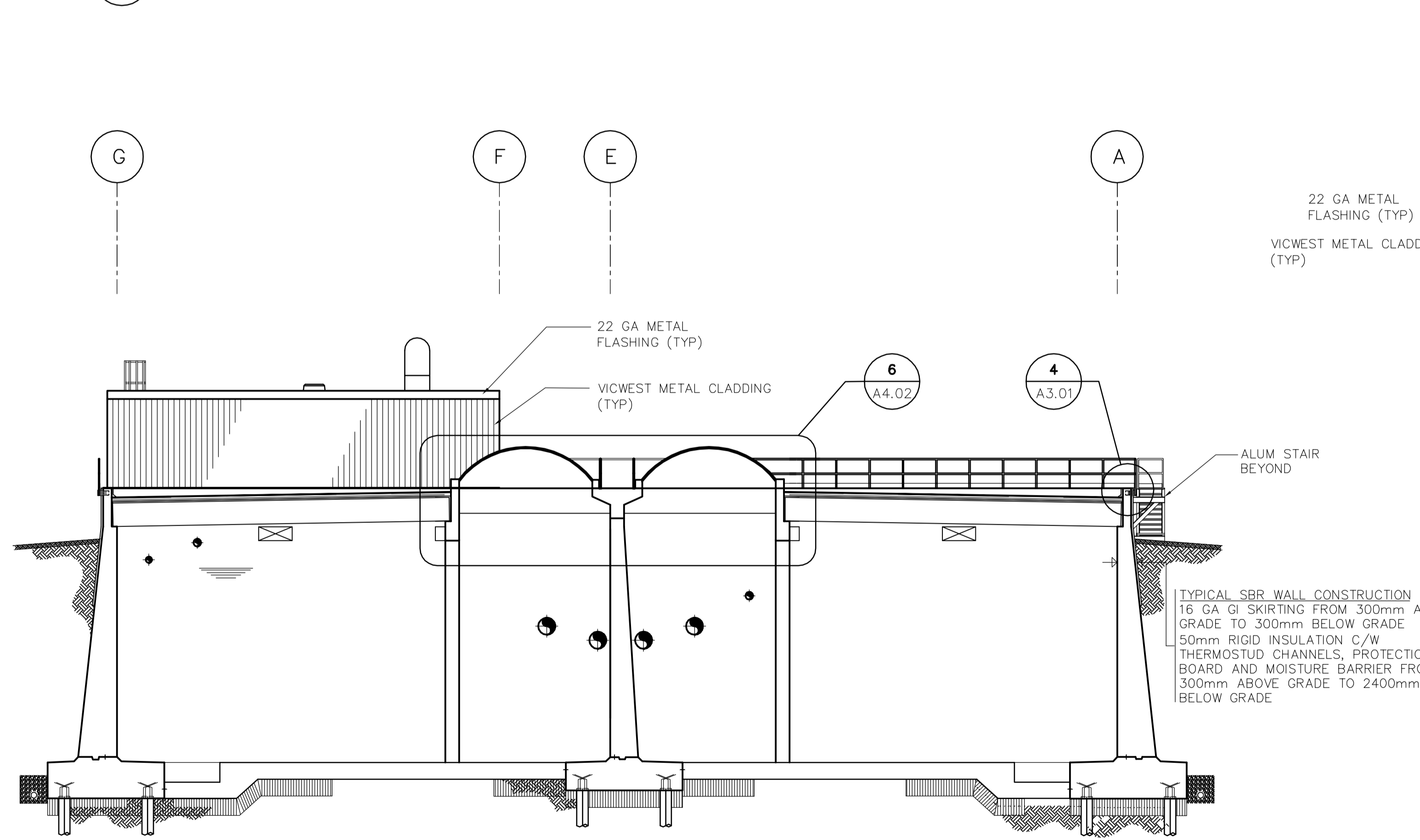


2 BUILDING SECTION
 A1.02 1:125



4 BUILDING SECTION
 A1.02 1:125



B.M. ELEV.	EarthTech A Tyco International Ltd. Company		ENGINEER'S SEAL	THE CITY OF WINNIPEG WATER AND WASTE DEPARTMENT ENGINEERING DIVISION	
	DESIGNED BY: NC	CHECKED BY: LK	ORIGINAL SIGNED BY: N. COOPER	NEWPCC CENTRATE NUTRIENT TREATMENT NITROGEN REMOVAL FACILITY	
	DRAWN BY: AL	APPROVED BY: JEH	2006/05/15	CITY FILE NUMBER	
	HOR. SCALE: AS NOTED	RELEASED FOR CONSTRUCTION BY: K. MARTENS	CONSULTANT DRAWING NO. A3.02	SHEET OF	
00 ISSUED FOR TENDER	06/05/15	AL		CITY DRAWING NUMBER	
NO. REVISIONS	DATE	BY	206/03/21		
			2006/05/15		