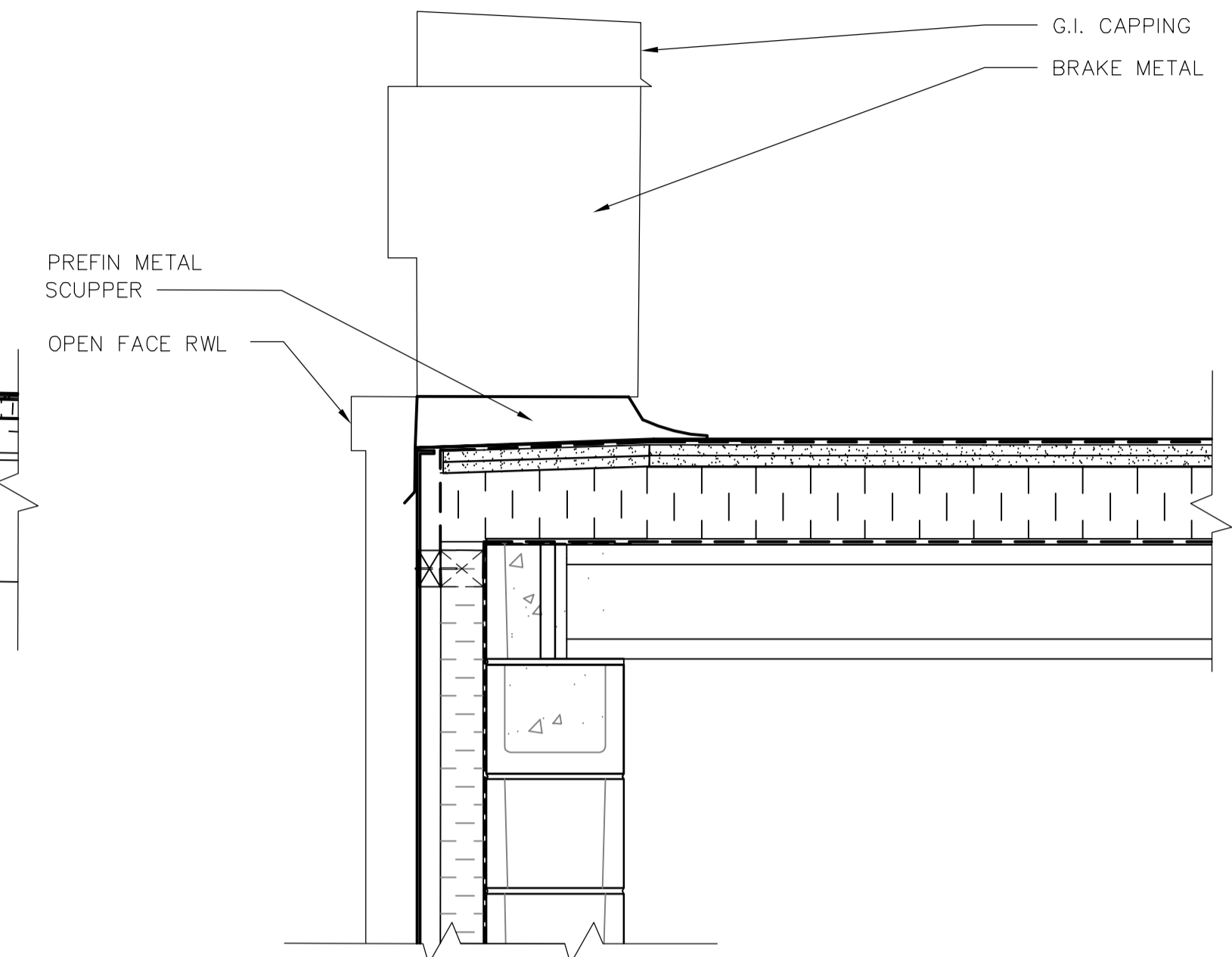
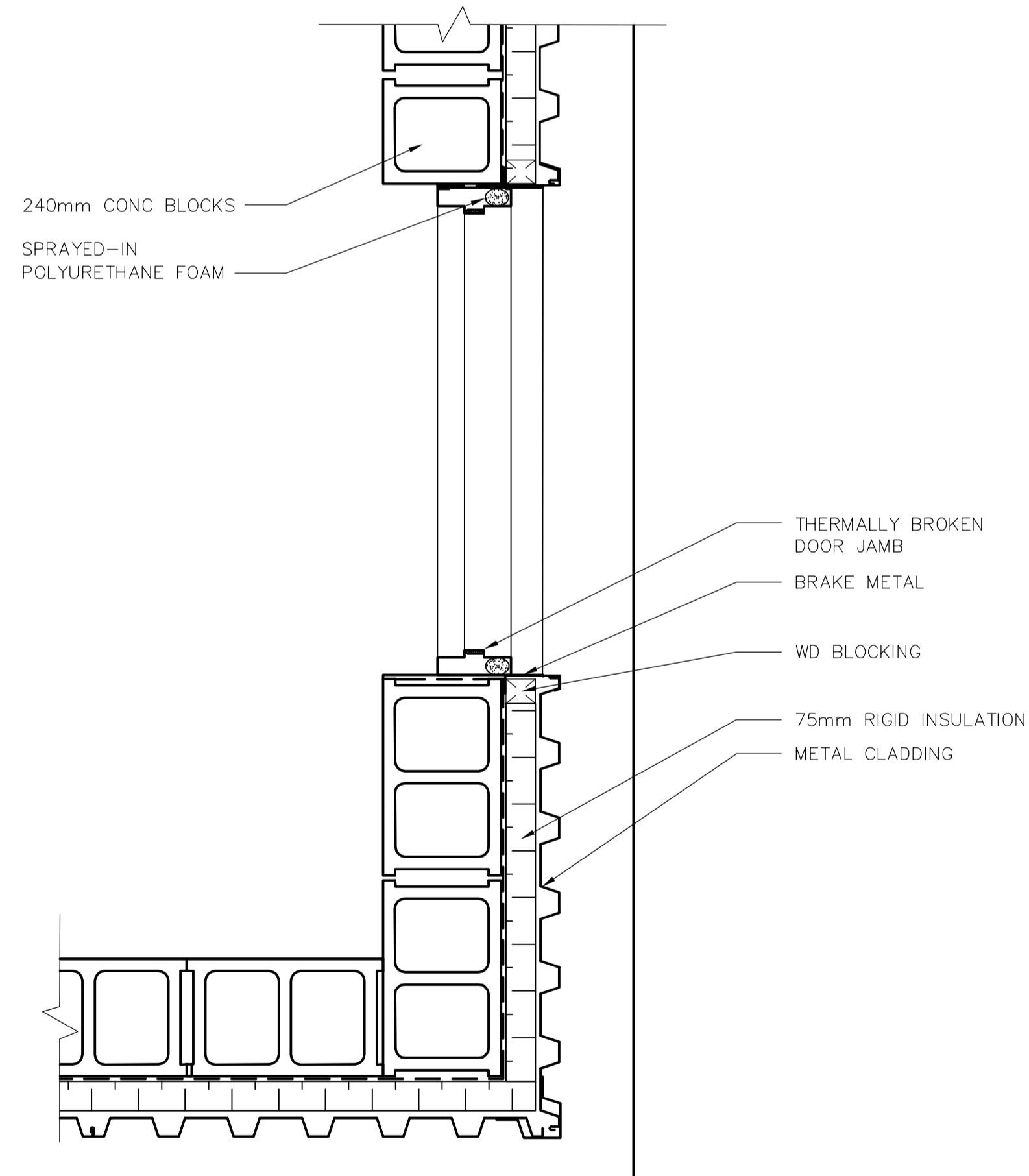


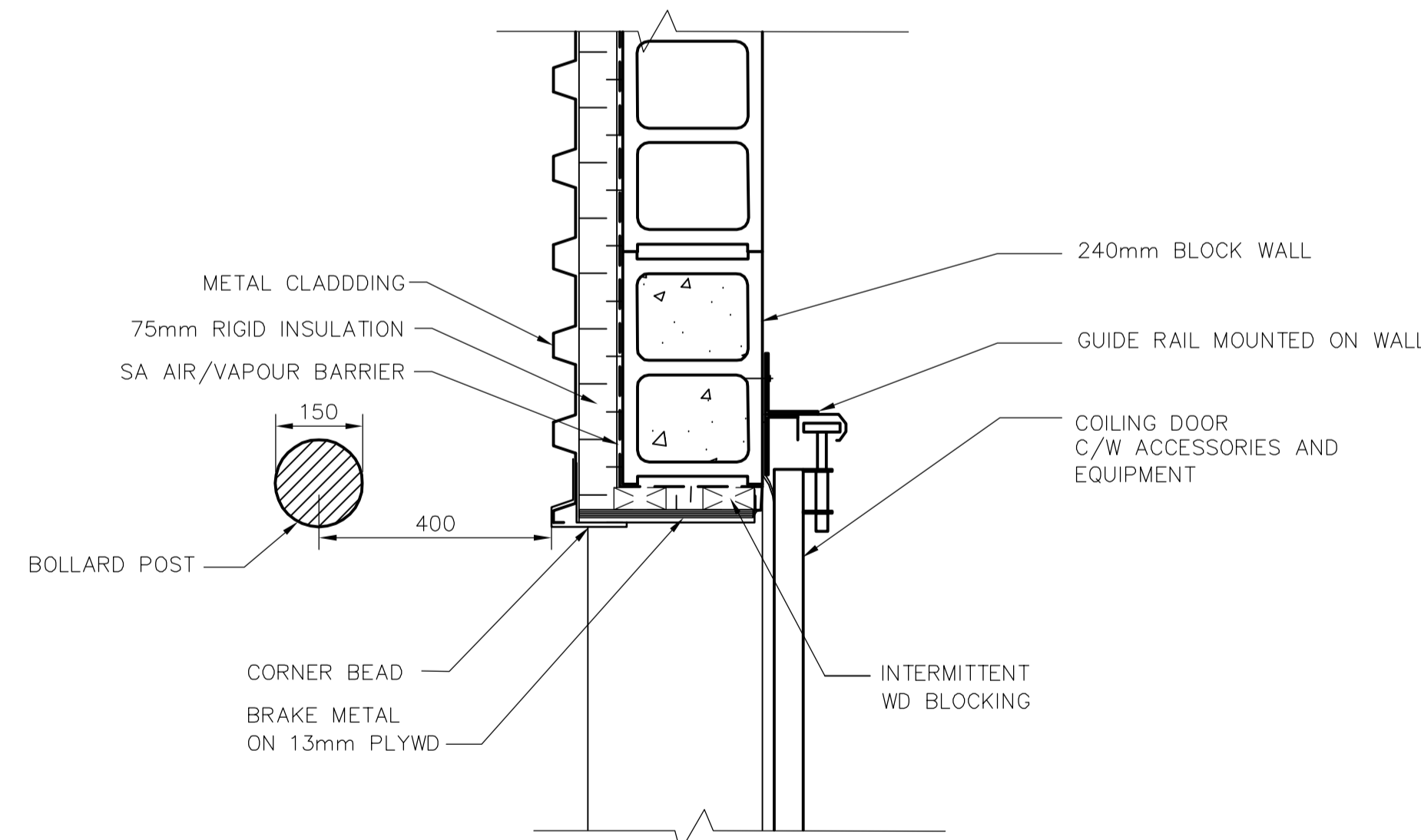
6 ROOF OPENING DETAIL
A3.02 1:40



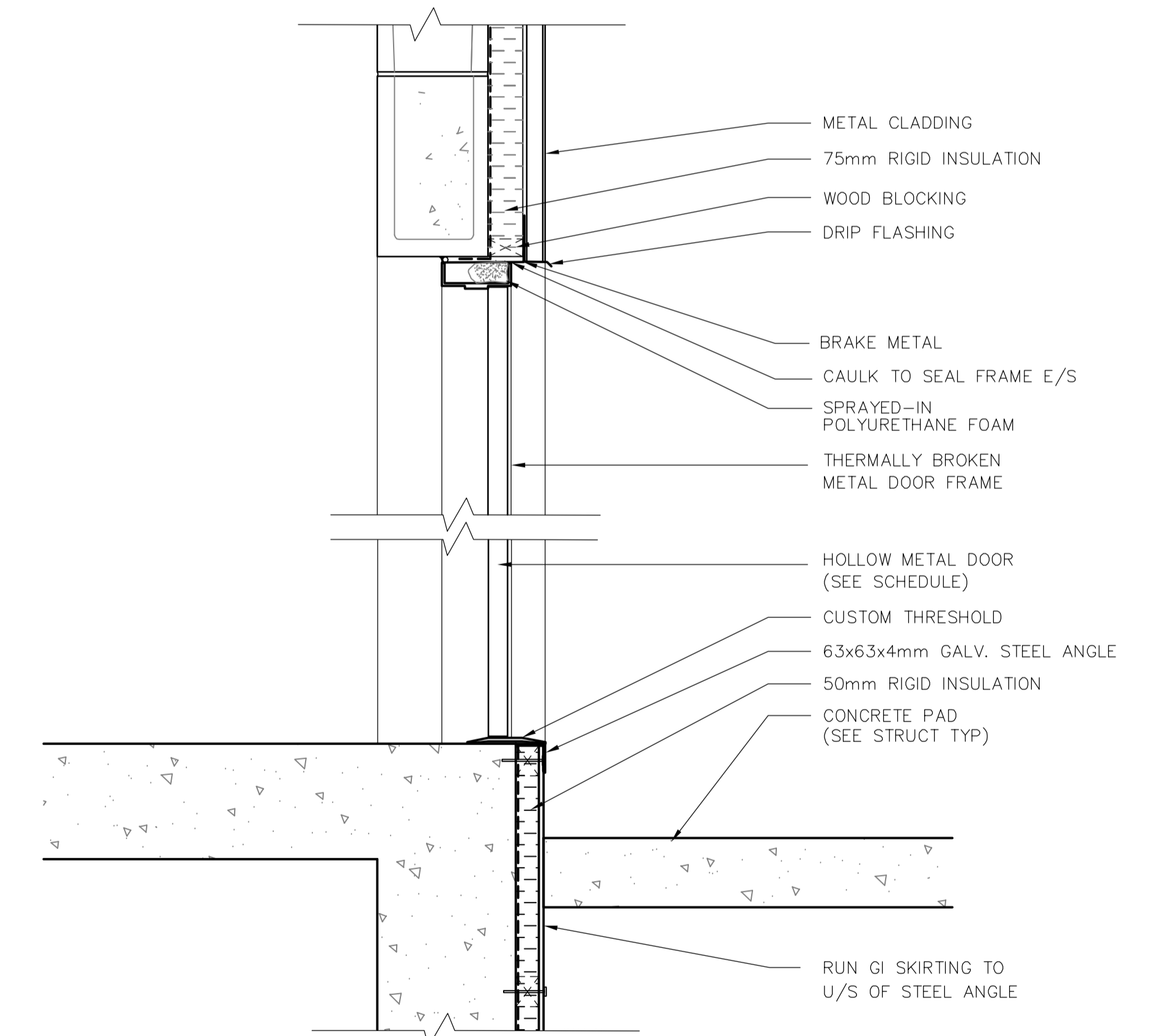
7 SCUPPER DRAIN SECTION DETAIL (TYP)
A1.01 1:10



8 EXT WALL PLAN DETAIL (TYP)
A1.01 1:10



9 OVERHEAD DOOR JAMB/RAIL DETAIL
A1.01 1:10



10 EXTERIOR DOOR SECTION DETAIL (TYP)
A1.01 1:10



B.M. ELEV.	EarthTech A Tyco International Ltd. Company		ENGINEER'S SEAL	THE CITY OF WINNIPEG WATER AND WASTE DEPARTMENT ENGINEERING DIVISION	
	DESIGNED BY: NC	CHECKED BY: LK	ORIGINAL SIGNED BY: N. COOPER	NEWPCC CENTRATE NUTRIENT TREATMENT NITROGEN REMOVAL FACILITY	
	DRAWN BY: AL	APPROVED BY: JEH	2006/05/15	CITY FILE NUMBER	
	HOR. SCALE: AS NOTED		CONSULTANT DRAWING NO. A4.02	SHEET OF	
	VERTICAL SCALE:			CITY DRAWING NUMBER	
00 ISSUED FOR TENDER	06/05/15	AL	ARCHITECTURAL DETAIL SECTIONS		
NO. REVISIONS	DATE	BY	DATE	2006/03/21	DATE
			DATE	2006/05/15	