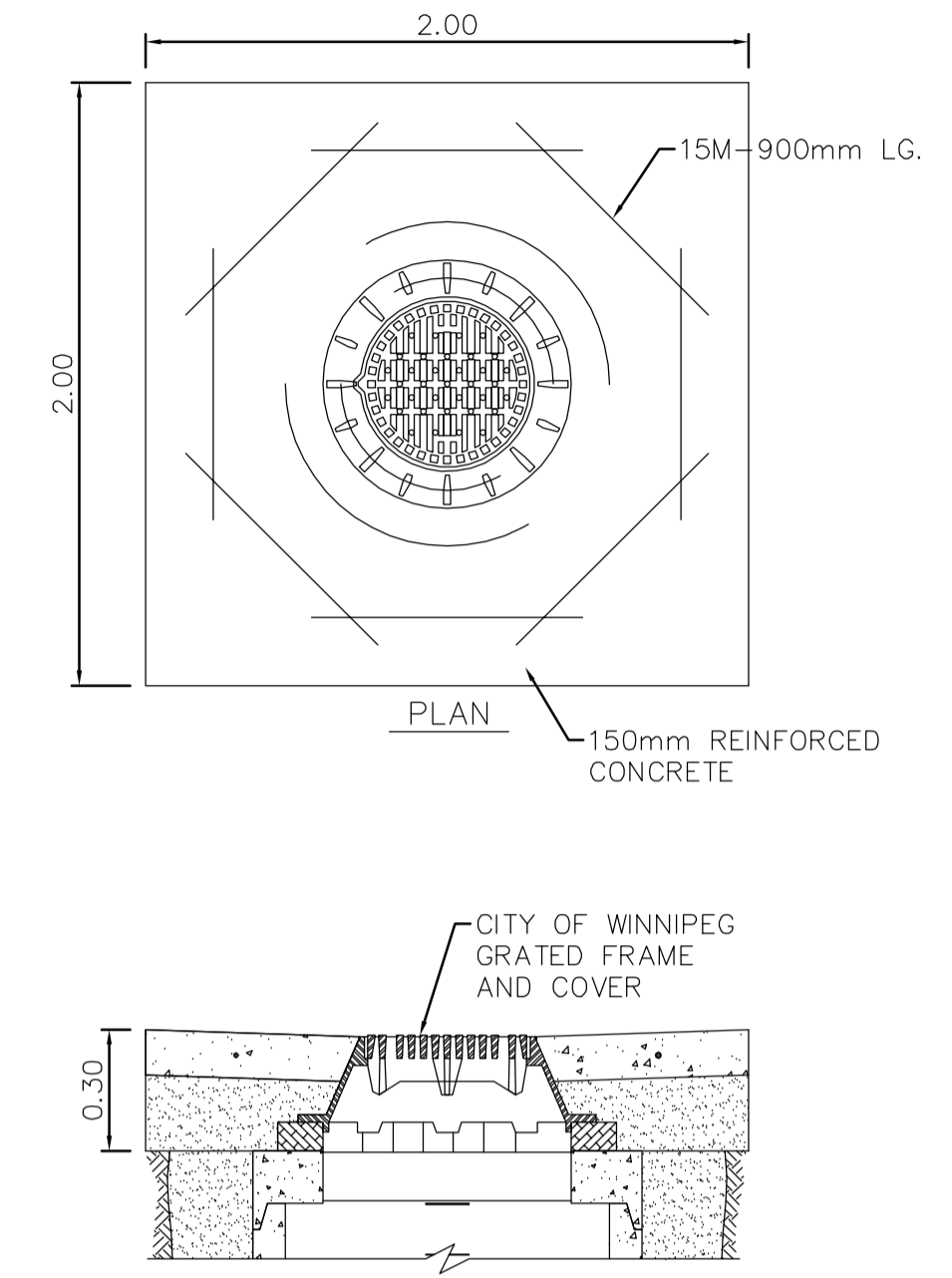
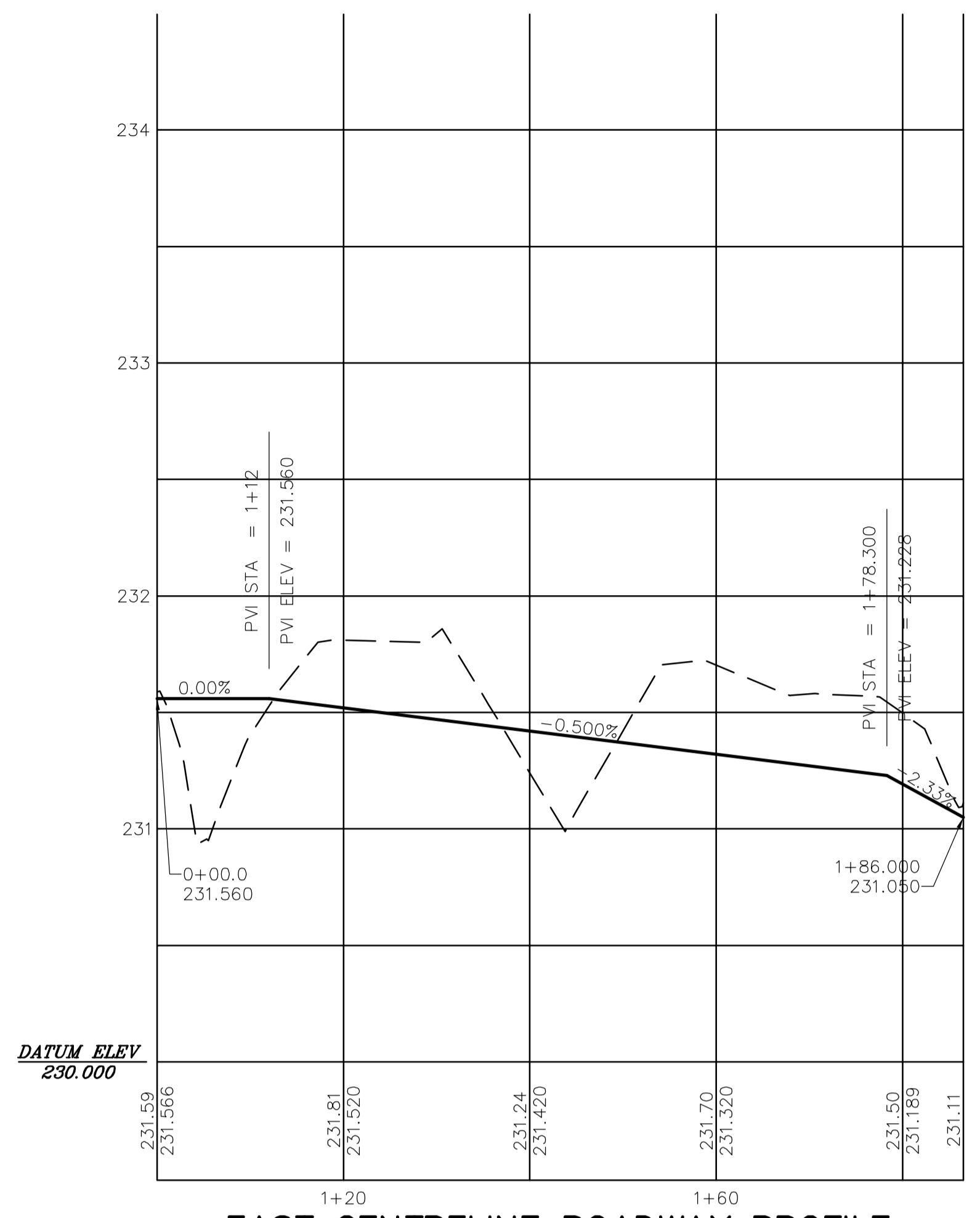


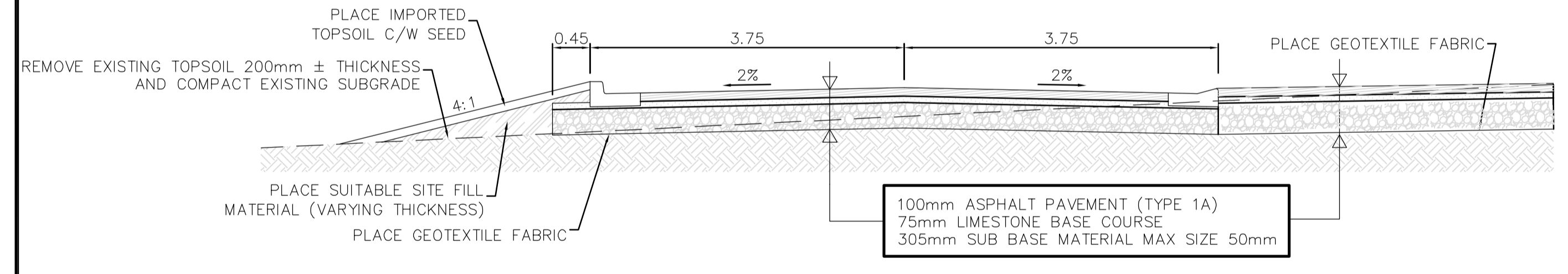
**WEST AND SOUTH ROADWAY CENTRELINE PROFILE**  
SCALE: 1:500H, 1:20V



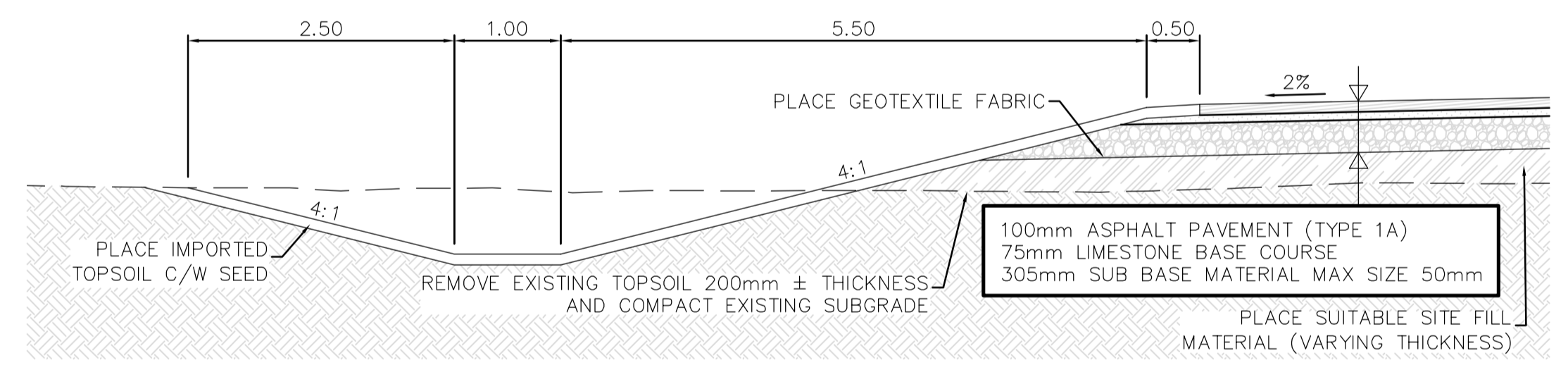
**5 BOULEVARD CATCHBASIN DETAIL**  
SCALE 1:25



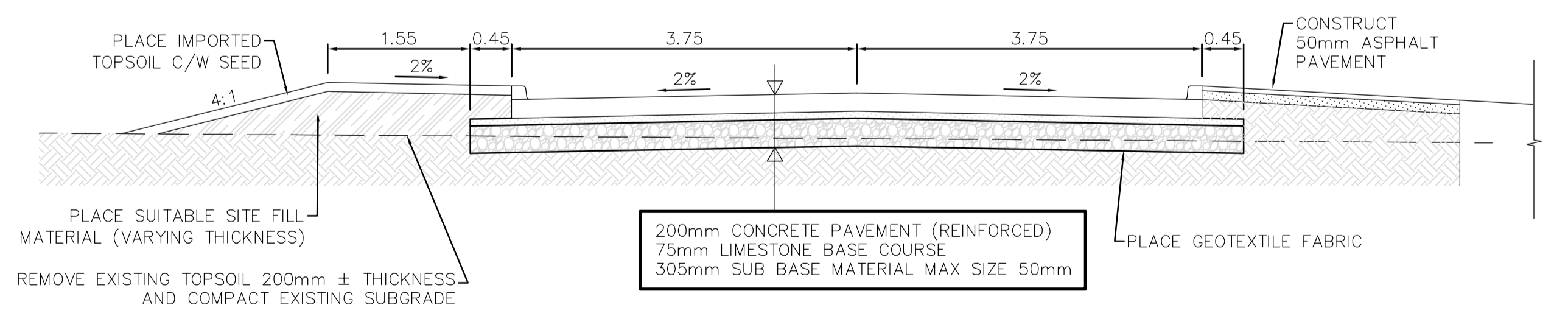
**EAST CENTRELINE ROADWAY PROFILE**  
SCALE: 1:500H, 1:20V



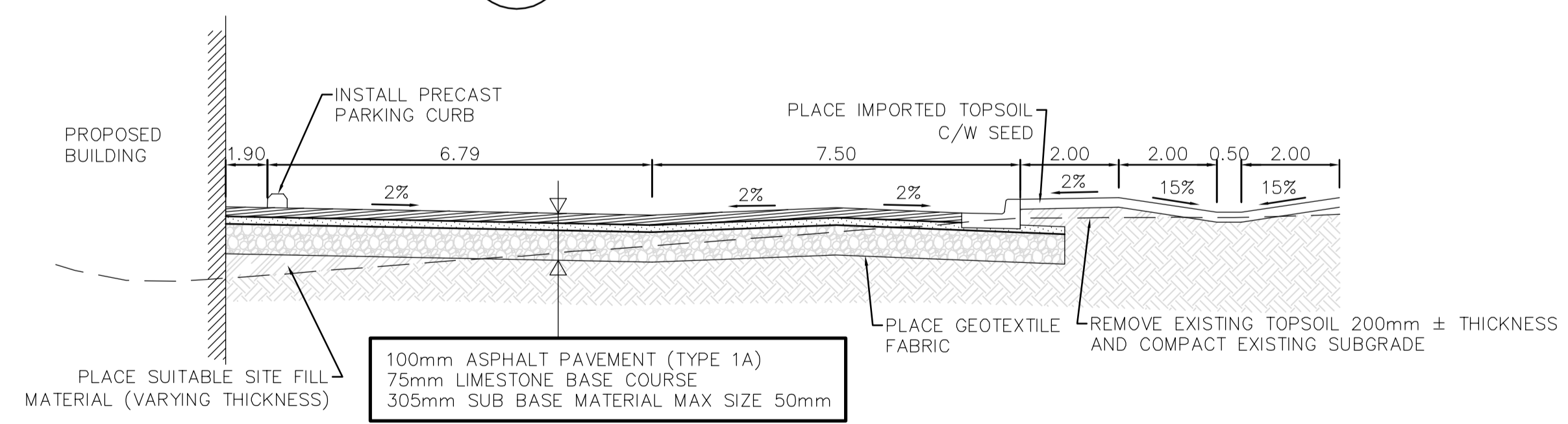
**1 ASPHALT PAVEMENT SECTION DETAIL**  
SCALE 1:50



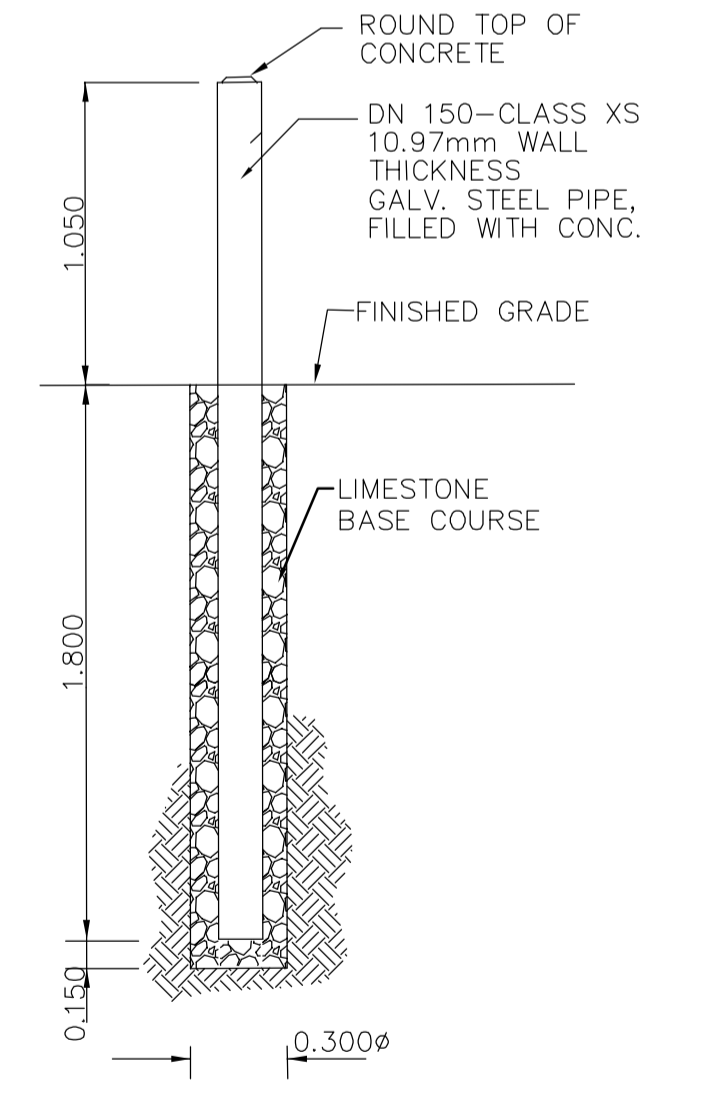
**2 ASPHALT TURNAROUND DETAIL**  
SCALE 1:50



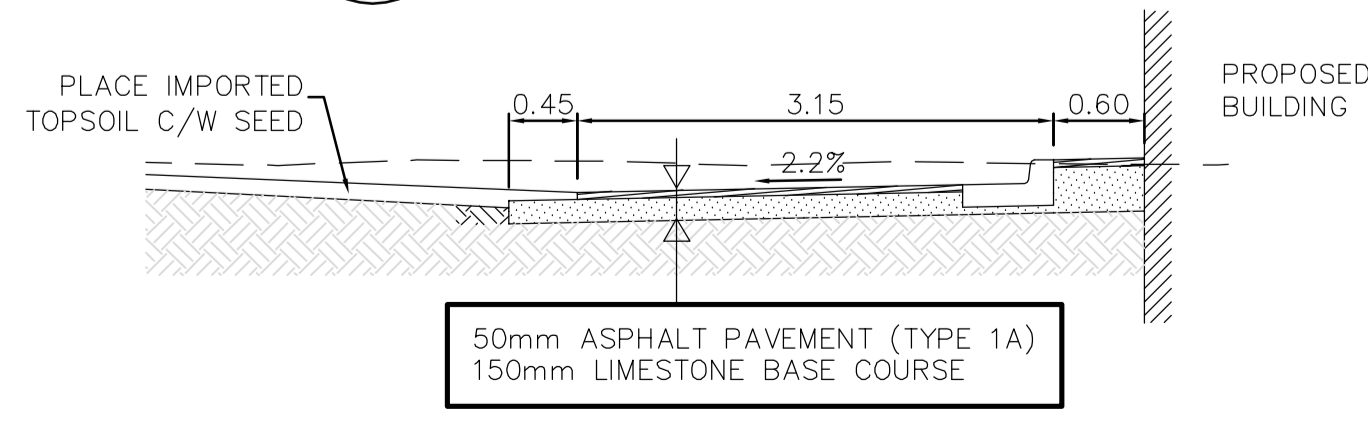
**3 CONCRETE PAVEMENT SECTION DETAIL**  
SCALE 1:50



**4 ASPHALT PAVEMENT PARKING DETAIL**  
SCALE NTS



**6 BOLLARD DETAIL**  
SCALE NTS



**7 ASPHALT PAVEMENT ACCESS ROAD**  
SCALE 1:50



B.M. ELEV.						
 A Tyco International Ltd. Company		DESIGNED BY	BSK	CHECKED BY	JC	
		DRAWN BY	BSK/RC	APPROVED BY	JEH	
		SCALE:	AS NOTED	RELEASED FOR CONSTRUCTION BY:	K.MARTENS	
		NO.	ISSUED FOR TENDER	06/05/15	JC	DATE
REVISIONS				DATE	2006/05/23	

ENGINEER'S SEAL	 THE CITY OF WINNIPEG WATER AND WASTE DEPARTMENT ENGINEERING DIVISION	
ORIGINAL SIGNED BY	J.N. CRANG	CITY FILE NUMBER
	2006/05/23	SHEET OF
CONSULTANT DRAWING NO.	C8.02	CITY DRAWING NUMBER
	CIVIL	
	ROADWAY PROFILES AND DETAILS	