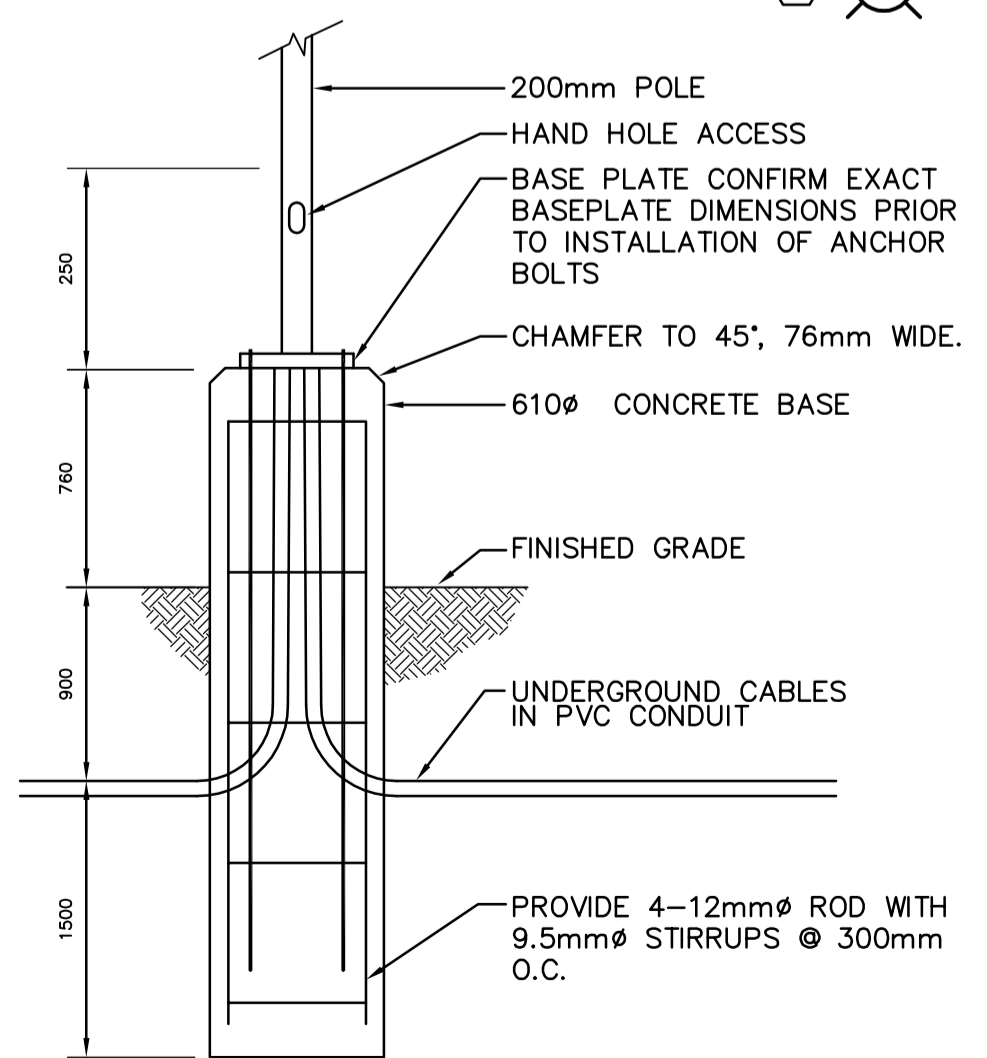
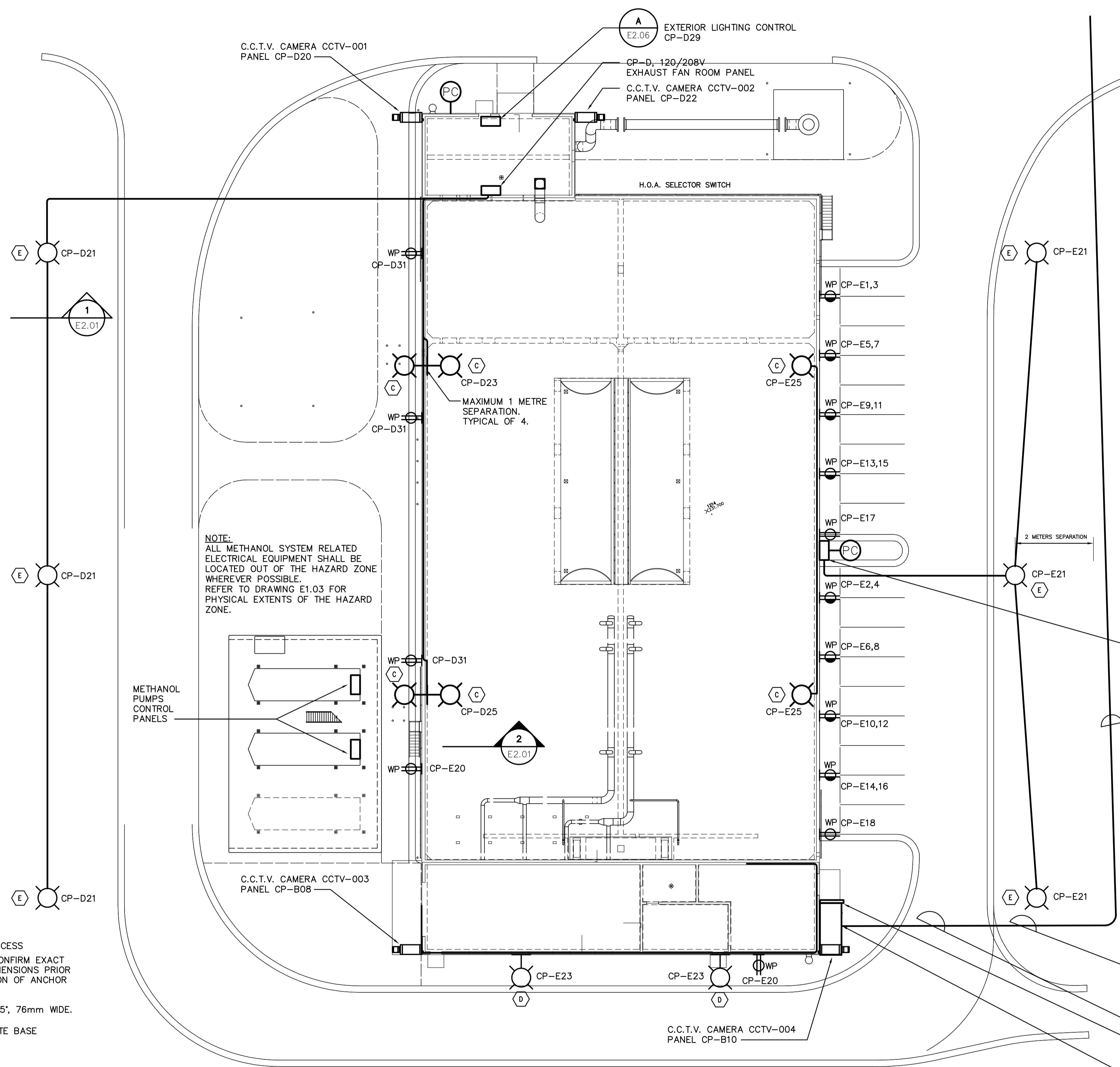


NOTES:
 2.1 TYPICAL FOR FIXTURE TYPE 'C'.
 SBR TANK MOUNTING.
 2.2 COORDINATE ALL SBR STAND EQUIPMENT
 MOUNTING WITH THE CITY AND DIVISION 3
 FOR INSTALLATION REQUIREMENTS.

2 POLE BASE DETAIL
 E2.01 SCALE: N.T.S.



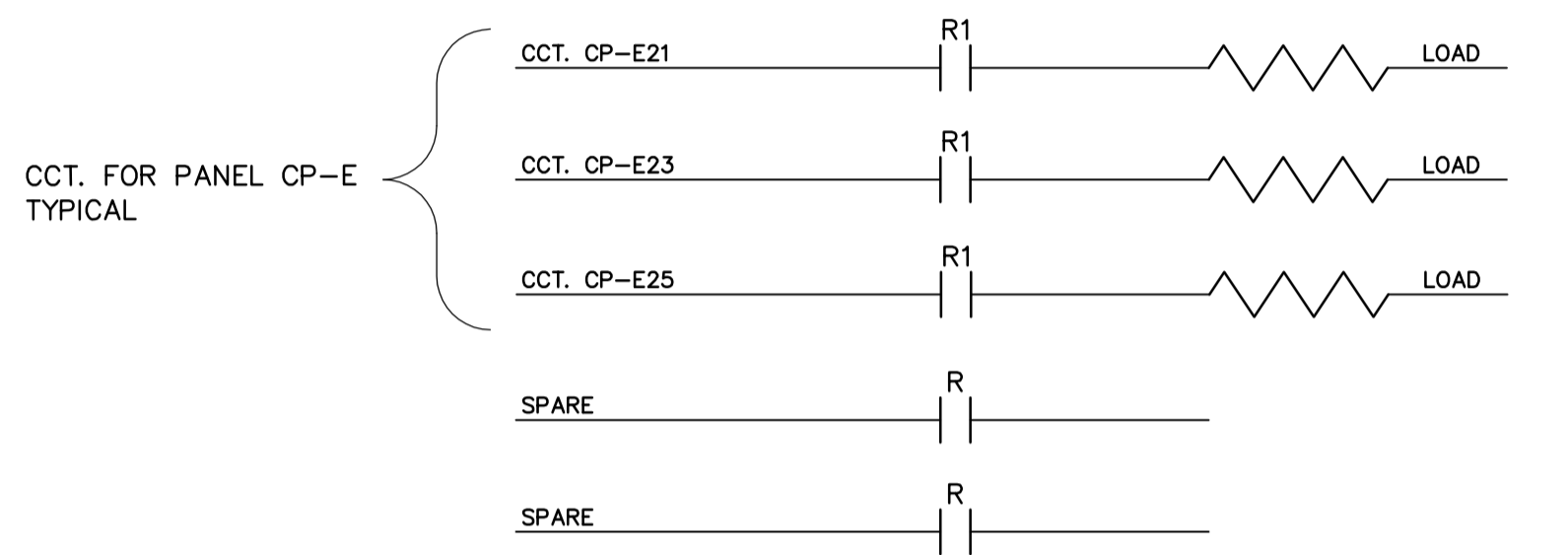
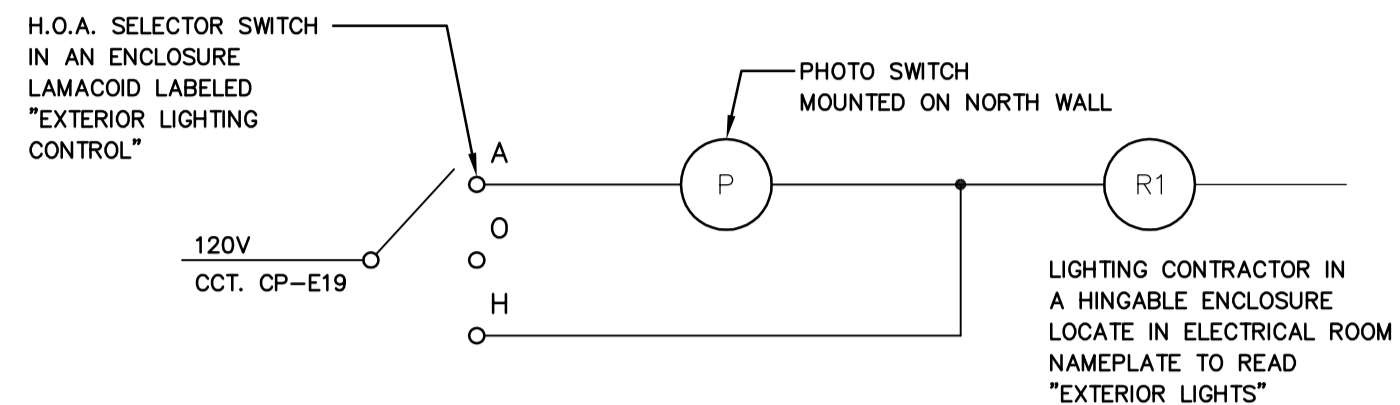
NOTE:
 1.1 TYPICAL FIXTURE TYPE 'E'.
1 POLE BASE DETAIL
 E2.01 SCALE: N.T.S.



NOTE:
 ALL METHANOL SYSTEM RELATED
 ELECTRICAL EQUIPMENT SHALL BE
 LOCATED OUT OF THE HAZARD ZONE
 WHEREVER POSSIBLE.
 REFER TO DRAWING E1.03 FOR
 PHYSICAL EXTENTS OF THE HAZARD
 ZONE.

METHANOL
 PUMPS
 CONTROL
 PANELS

SITE PLAN
 SCALE: N.T.S.



NOTES:
 A.1 CONTACTS TO BE RATED FOR 600V.

A EXTERIOR LIGHTING CONTROL
 SCALE: N.T.S.

**A CP-E
 PARKING LOT PANEL
 120/208V
 & EXTERIOR LIGHTING CONTROL PANEL**
 E2.01

PRIMARY FEEDER FROM
 SECONDARY ELECTRICAL ROOM

- 2 x 100mm COMMUNICATION TO CONTROL ROOM VIA CABLE TRAY.
- 4 x 150mm 2 x 1500 mm TO TRANSFORMER PRIMARIES.
- 2 x 150mm (EMPTY) TO STUB UP IN ELECTRICAL ROOM MINIMUM 300mm ABOVE FINISHED FLOOR.
- BLOCK PROTECTION WALL REFER TO STRUCTURAL
- 1500 KVA, 347/600V, 3ø PADMOUNT TRANSFORMERS CT-1 AND CT-2 EXACT LOCATION OF CABLE ENTRANCE INTO TRANSFORMERS TO BE DETERMINED ON SITE

APEGM
 Certificate of Authorization
 Earth Tech Canada Inc.
 No. 730 Expiry: April 30, 2007

B.M. ELEV.			
DESIGNED BY	PS	CHECKED BY	GSN
DRAWN BY	CPG	APPROVED BY	JEH
SCALE:	NTS	RELEASED FOR CONSTRUCTION BY:	K. MARTENS
NO. ISSUED FOR TENDER	06/05/15	DATE	2006/02/23
NO. REVISIONS		DATE	2006/05/23

EarthTech
 A Tyco International Ltd. Company

ENGINEER'S SEAL
 ORIGINAL SIGNED BY
 P. STRYK
 2005/05/15

CONSULTANT DRAWING NO.
 E2.01

THE CITY OF WINNIPEG
 WATER AND WASTE DEPARTMENT
 ENGINEERING DIVISION

NEWPCC CENTRATE NUTRIENT TREATMENT
 NITROGEN REMOVAL FACILITY

ELECTRICAL
 SITE PLAN

CITY FILE NUMBER
 SHEET OF
 CITY DRAWING NUMBER