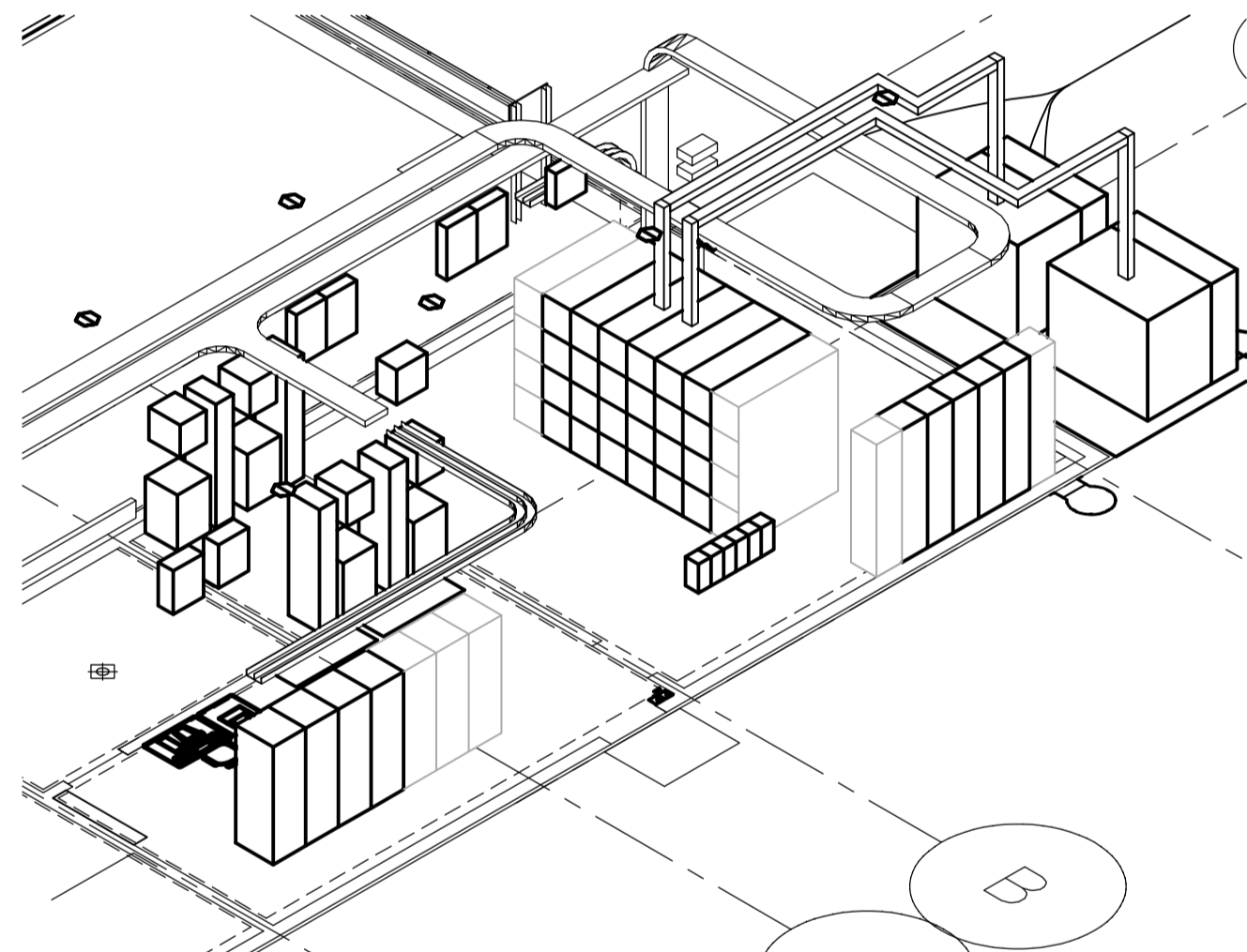


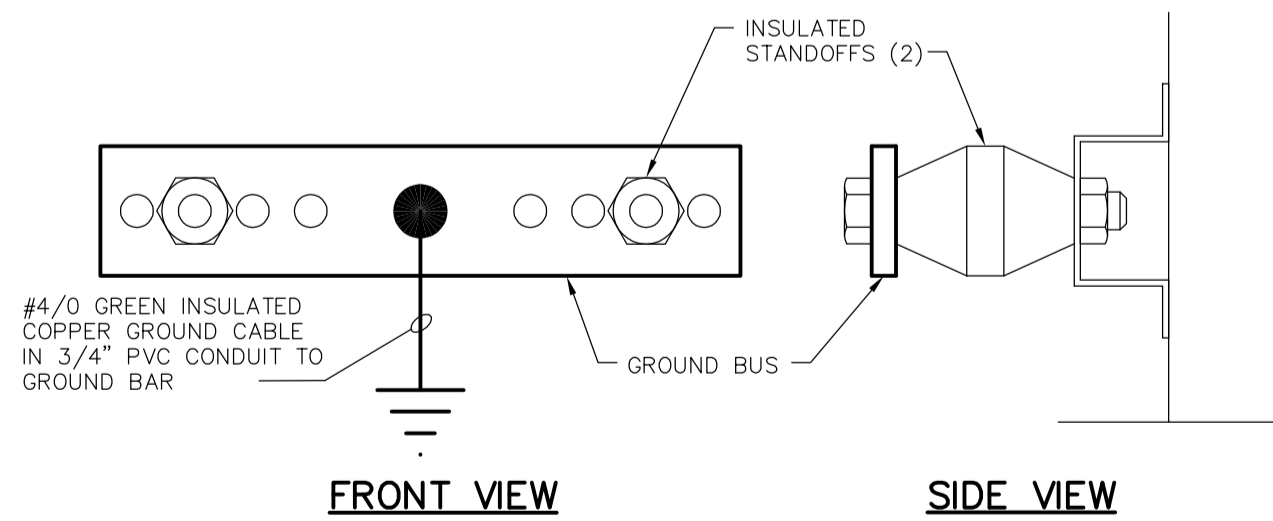
NOTES:

- 1.1 PROVIDE TWO LOCAL AREA 120V, 1Ø CIRCUITS PROTECTED BY NEW OVERCURRENT DEVICES. ONE CIRCUIT TO SUPPLY SAMPLE FRIDGE RECEPTACLE AND THE OTHER IS FOR THE SAMPLER.
- 1.2 SAMPLER ARRANGEMENT IN SLUDGE DEWATERING AREA ALSO HAS A 0.75 HP, 120V, 1Ø PUMP C942-P. A SEPARATE CIRCUIT AND ASSOCIATED ELECTRICAL SHALL BE PROVIDED.
- 1.3 REFER TO DRAWING E1.02 FOR LOCATIONS.

1 TYPICAL SAMPLER AND FRIDGE
E3.03 SCALE: N.T.S.



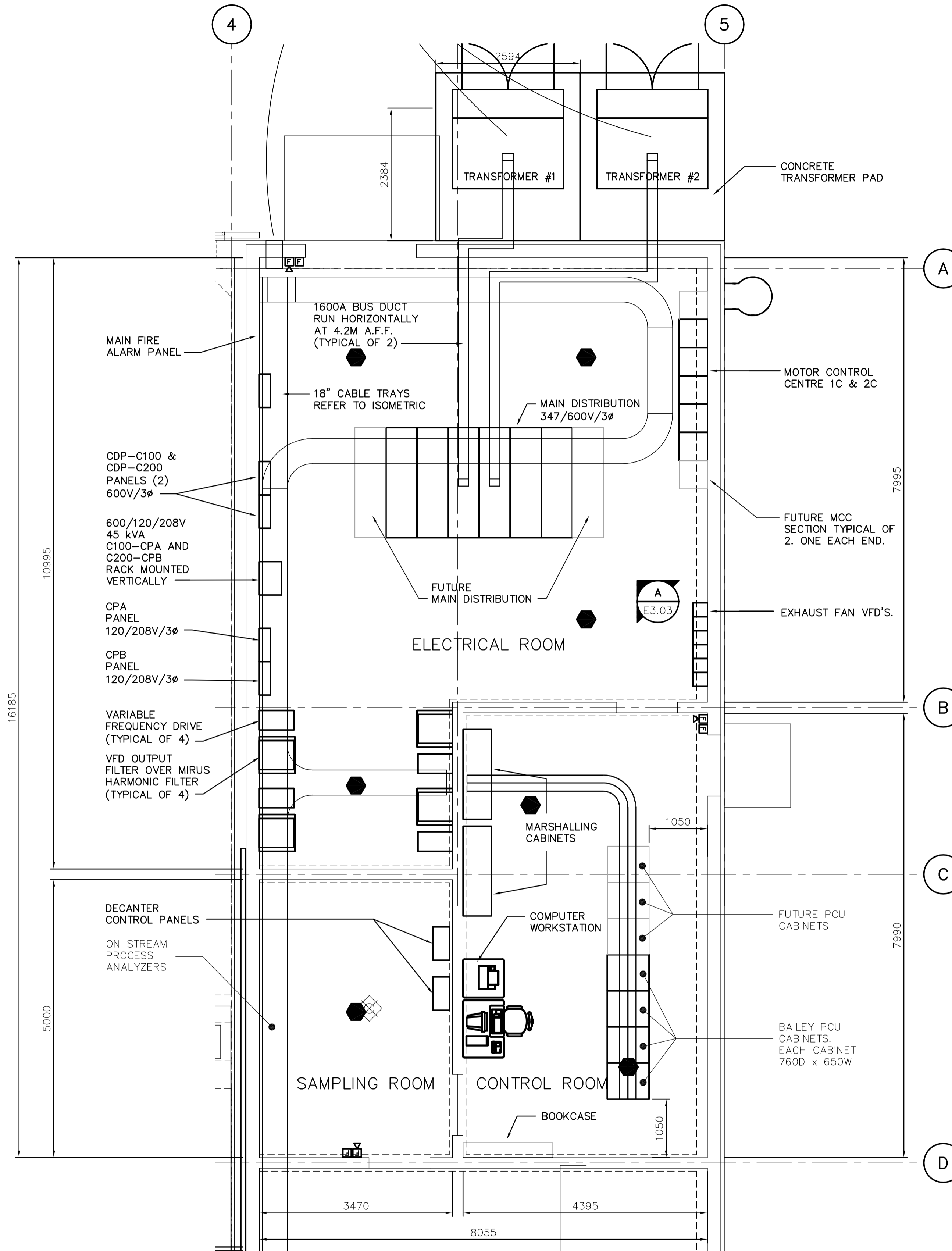
A ELECTRICAL ROOM - WEST ISOMETRIC
E3.03 SCALE: 1:100



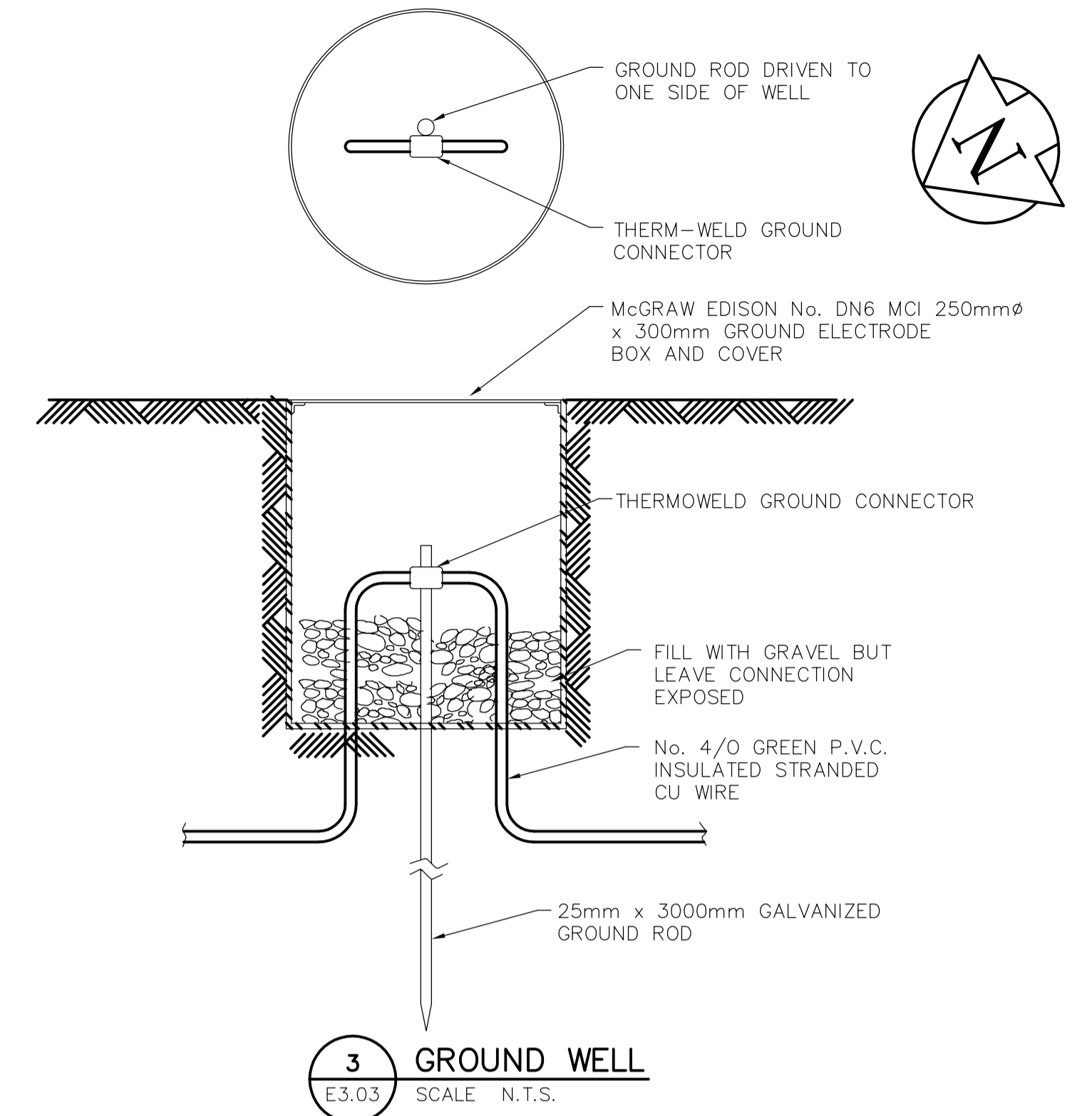
NOTES:

- 2.1 NEW COPPER GROUND BAR (600x100x6 - CONTROL ROOM, 1000x100x6 - ELECTRICAL ROOM) WITH HOLES PREPUNCHED FOR DOUBLE BOLT CONNECTORS AND INSULATED STANDOFFS.
- 2.2 CONNECT NEW #4/0 GROUND CABLE.
- 2.3 GROUND CONNECTORS TO BE TAGGED ON BOTH ENDS IDENTIFYING LOCATION AND DEVICE.
- 2.4 GROUND CABLE TO BE INSTALLED ON SUPPORTS WHERE POSSIBLE. PROVIDE SUPPORTS WHERE NEEDED.

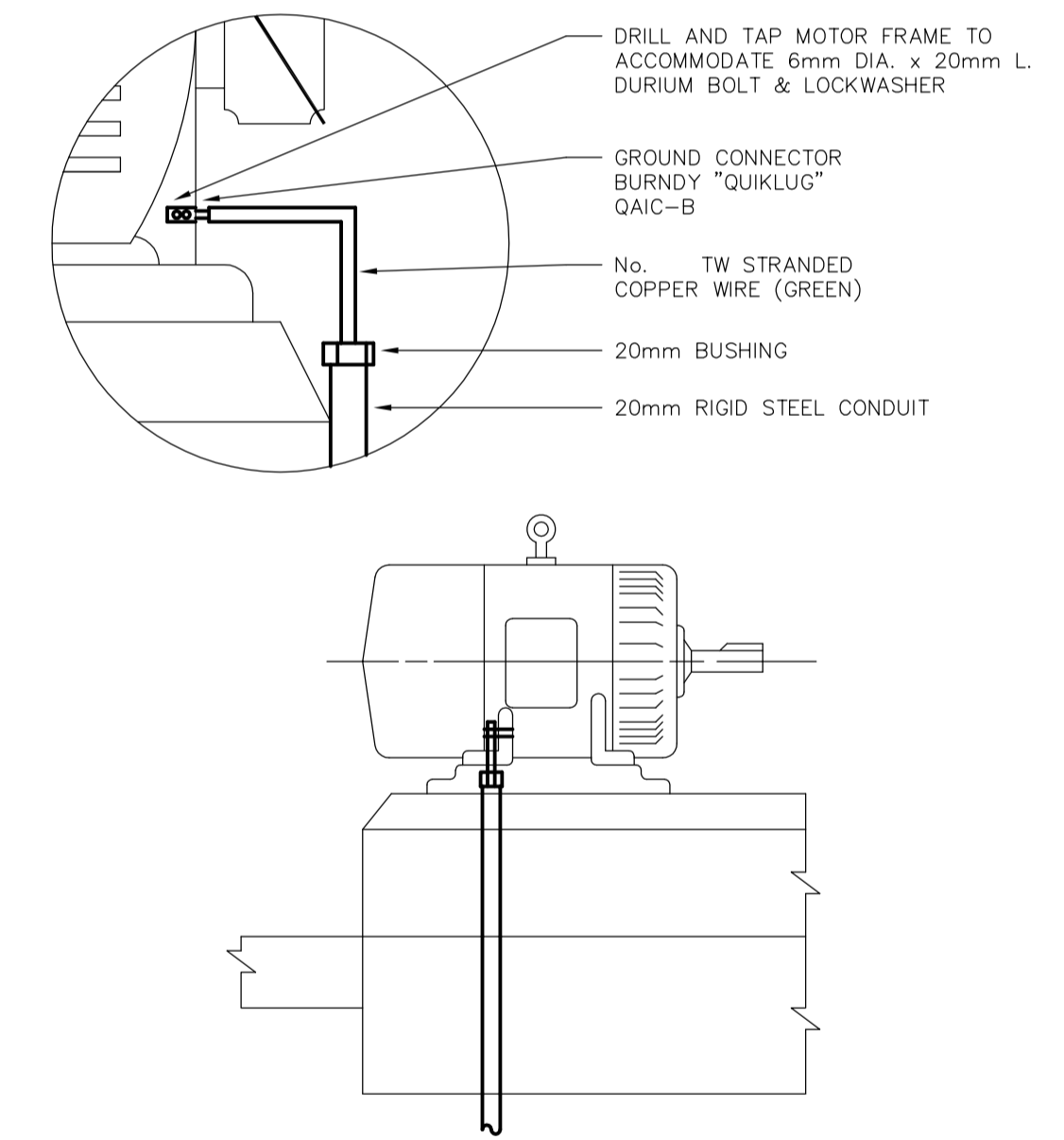
2 GROUNDING BAR DETAIL
E3.03 SCALE: N.T.S.



ELECTRICAL ROOM - POWER CONTROL PLAN
SCALE: 1:50



3 GROUND WELL
E3.03 SCALE: N.T.S.



4 MOTOR GROUNDING DETAIL
E3.03 SCALE: N.T.S.

 Certificate of Authorization Earth Tech Canada Inc. No. 730 Expiry: April 30, 2007	B.M. ELEV.	 A Tyco International Ltd. Company	ENGINEER'S SEAL	 THE CITY OF WINNIPEG WATER AND WASTE DEPARTMENT ENGINEERING DIVISION		
			DESIGNED BY PS		ORIGINAL SIGNED BY P. STRYK	
			DRAWN BY CPG		CHECKED BY GSN	2005/05/15
			SCALE:		APPROVED BY JEH	CONSULTANT DRAWING NO. E3.03
	00 ISSUED FOR TENDER 06/05/15 CPG	RELEASED FOR CONSTRUCTION BY: K. MARTENS				
	NO. REVISIONS	DATE BY DATE 2006/02/23		NEWPCC CENTRATE NUTRIENT TREATMENT NITROGEN REMOVAL FACILITY CITY FILE NUMBER SHEET OF CITY DRAWING NUMBER		