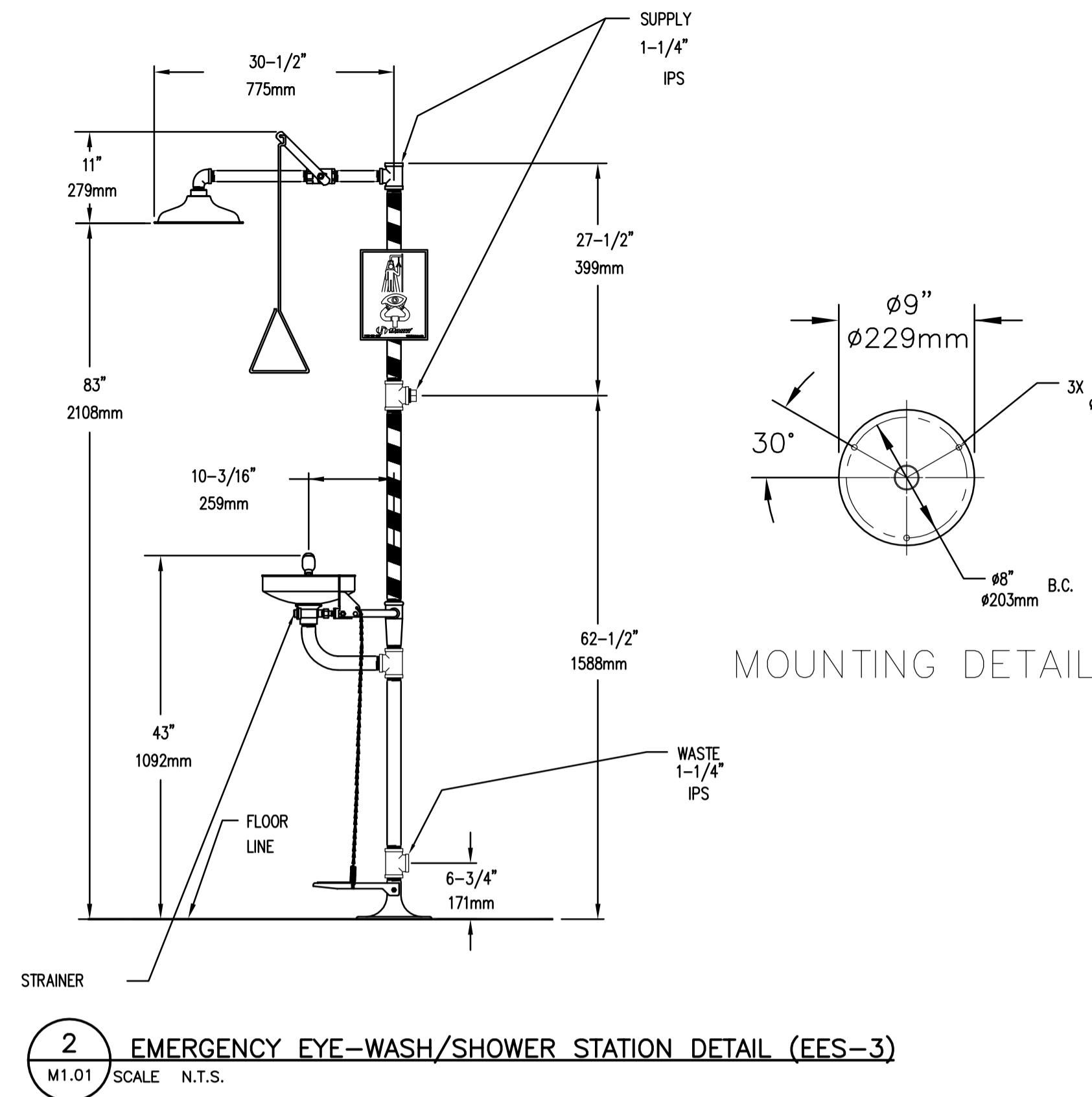
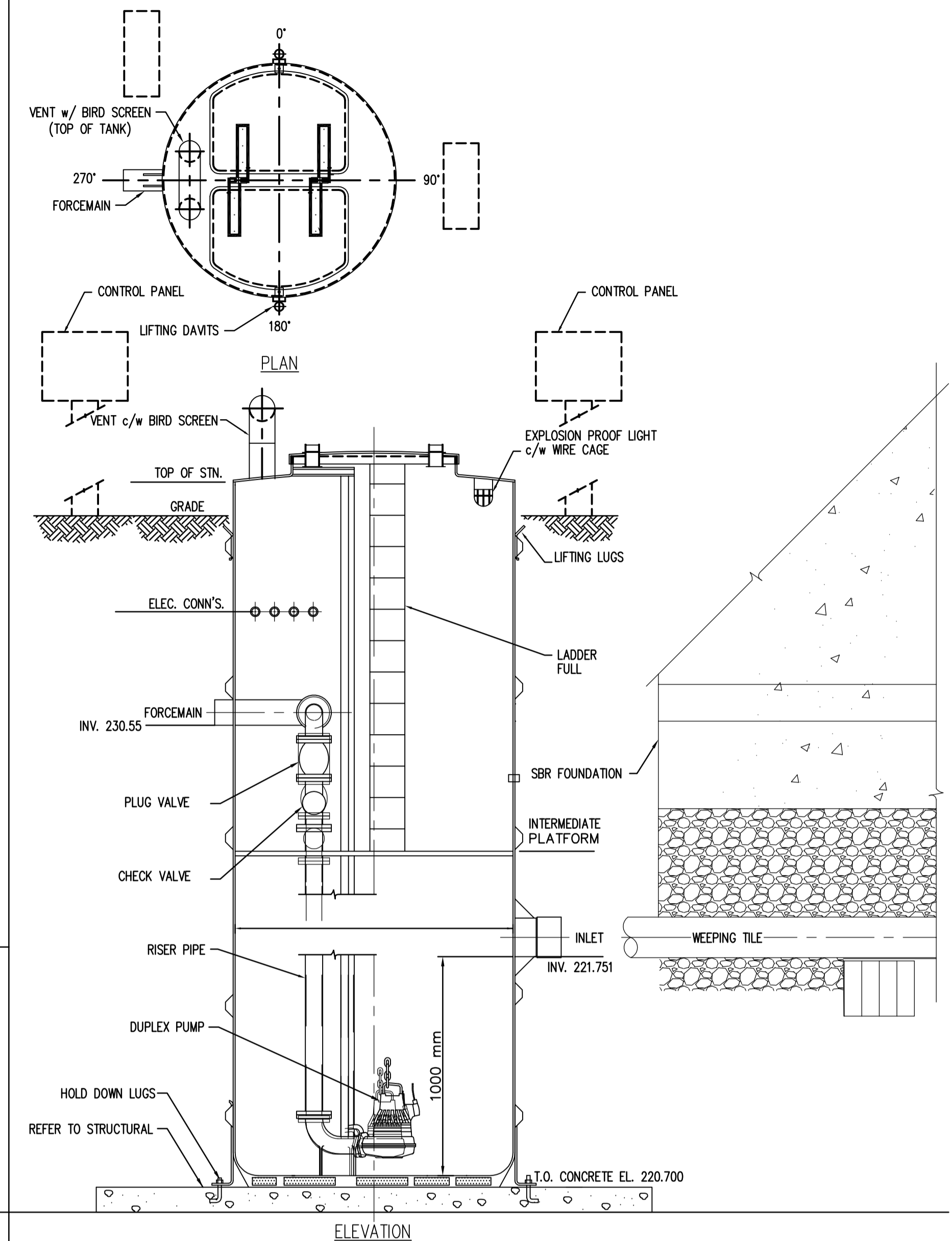


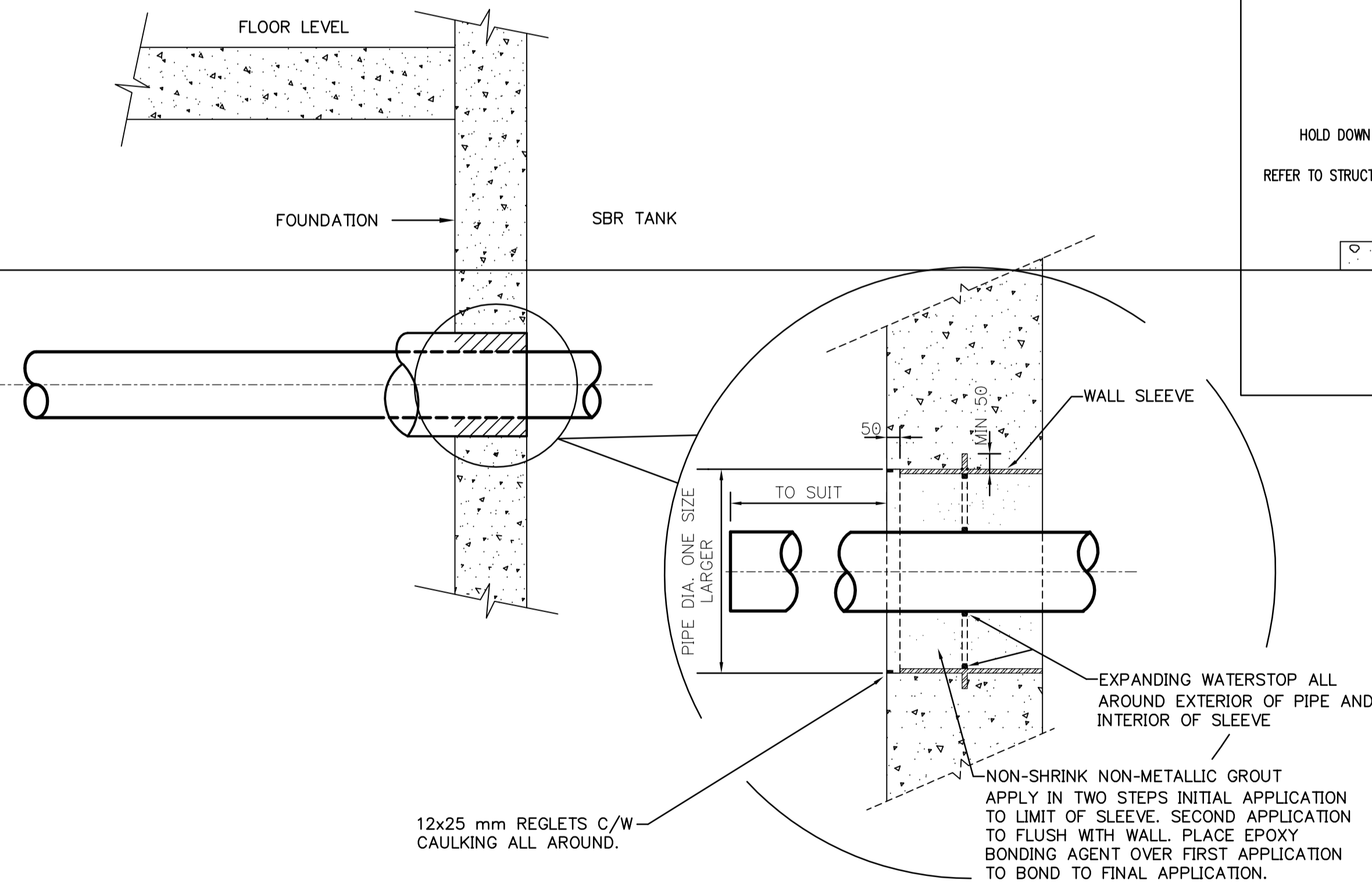
1 WEeping TILE EAST SUMP PIT DETAIL
M1.03 SCALE N.T.S.



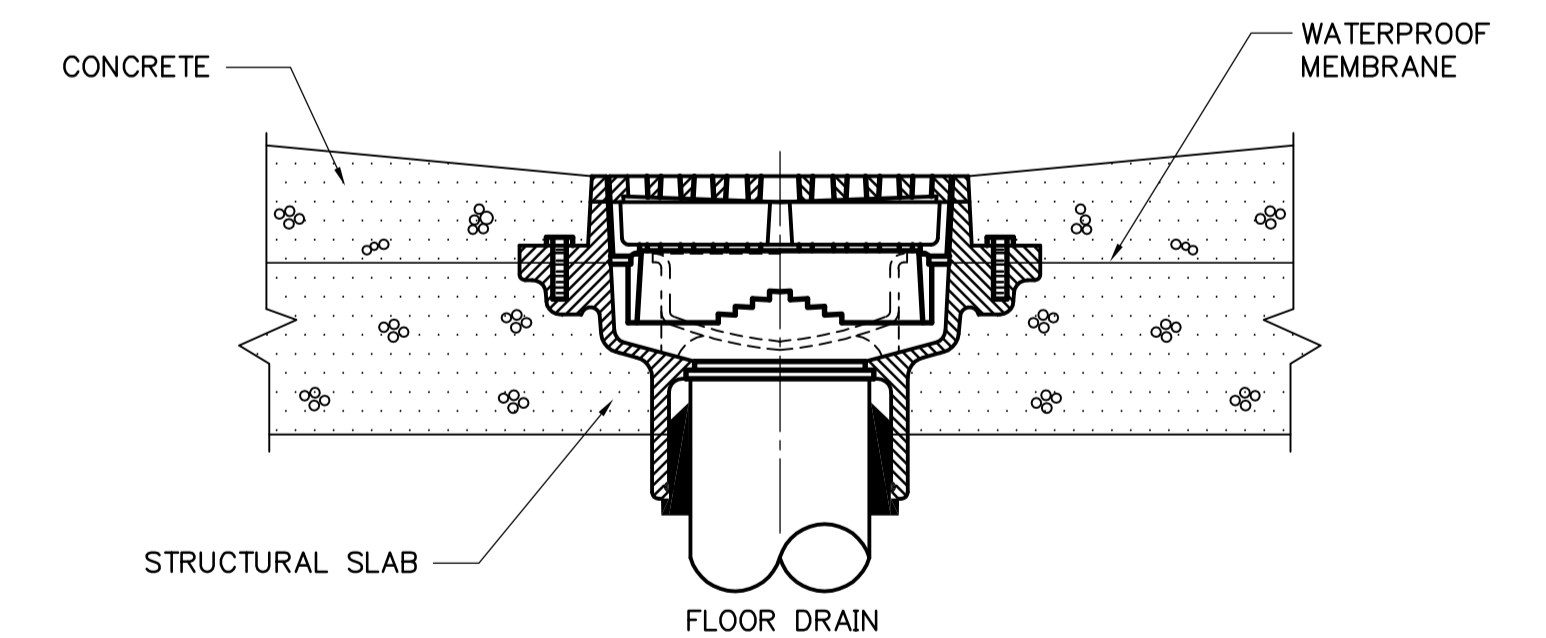
2 EMERGENCY EYE-WASH/SHOWER STATION DETAIL (EES-3)
M1.01 SCALE N.T.S.



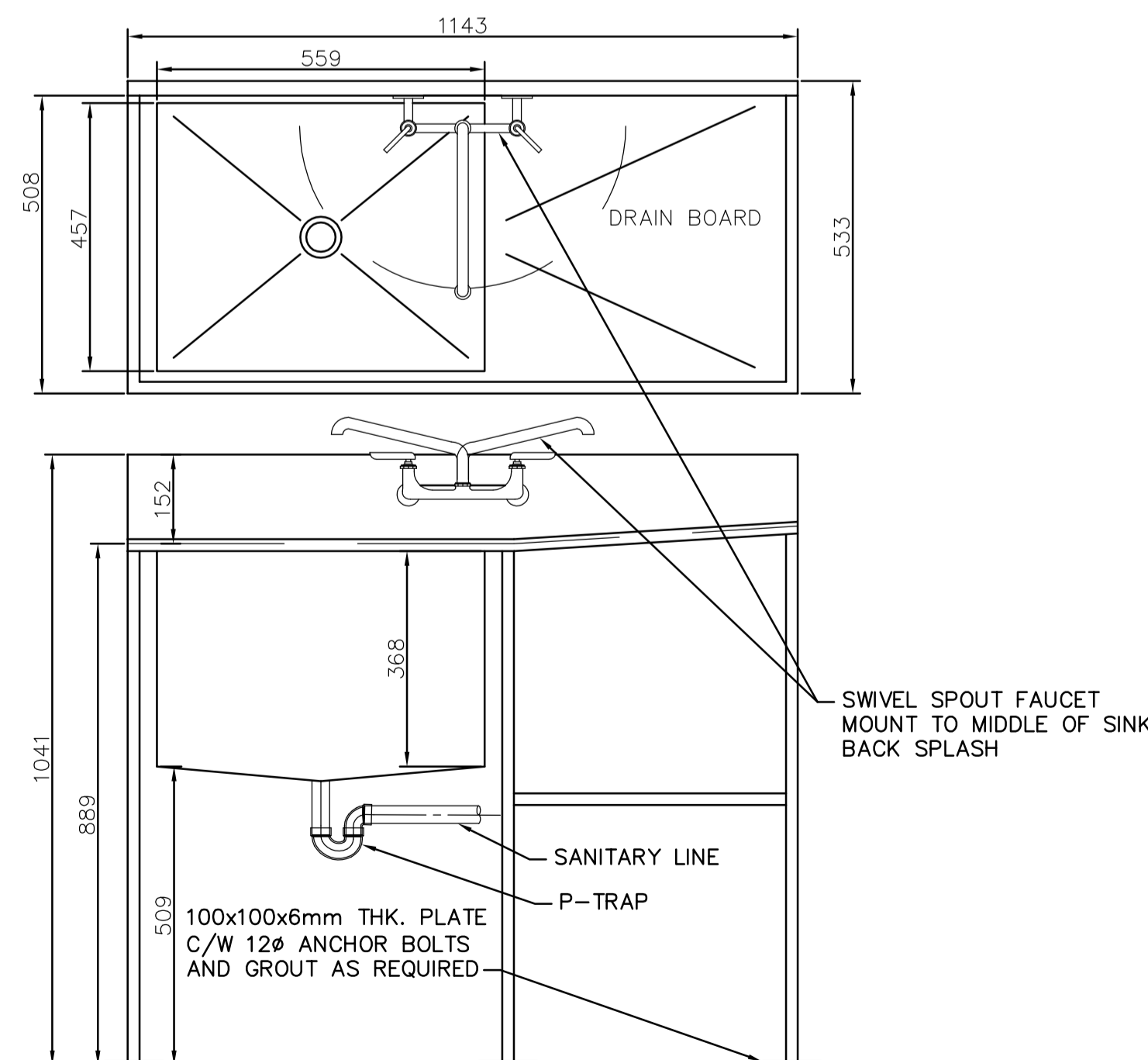
3 WEeping TILE WEST SUMP PIT DETAIL
M1.03 SCALE N.T.S.



5 SBR TANK SANITARY PIPING WALL PENETRATION DETAIL
SCALE N.T.S.



6 FLOOR DRAIN DETAIL
M2.01 SCALE N.T.S.



4 SAMPLING ROOM S.S. STEEL SAMPLING SINK PLAN & ELEVATION DETAIL
M1.01 SCALE N.T.S.

| | | | | |
|---------------------------------------------------------------------------------------------------|----------------------------|------------------------------------------|------------------------------------------|-------------------------------------------------------------------------------------|
| <p>Certificate of Authorization Earth Tech Canada Inc. No. 730 Expiry: April 30, 2007</p> | B.M. ELEV. | <p>A Tyco International Ltd. Company</p> | ENGINEER'S SEAL | <p>THE CITY OF WINNIPEG WATER AND WASTE DEPARTMENT ENGINEERING DIVISION</p> |
| | DESIGNED BY AB | | CHECKED BY AB | |
| NO. REVISIONS | DATE | DATE | CONSULTANT DRAWING NO. M3.01 | NEWPCC CENTRATE NUTRIENT TREATMENT NITROGEN REMOVAL FACILITY |
| 00 | ISSUED FOR TENDER 06/05/15 | DJP | RELEASED FOR CONSTRUCTION BY: K. MARTENS | CITY FILE NUMBER |
| | | | 2006/05/15 | SHEET OF |
| | | | | CITY DRAWING NUMBER |
| | | | | MECHANICAL PLUMBING DETAILS |