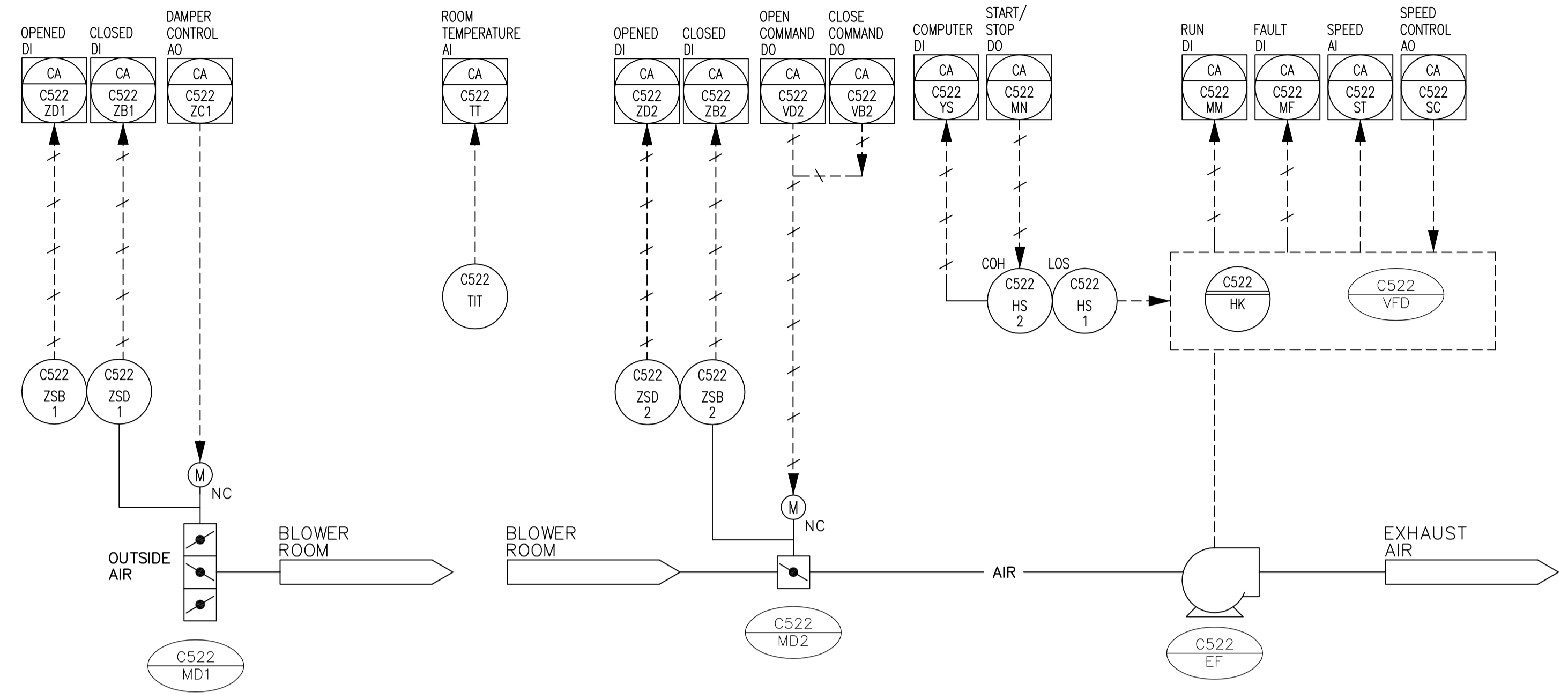
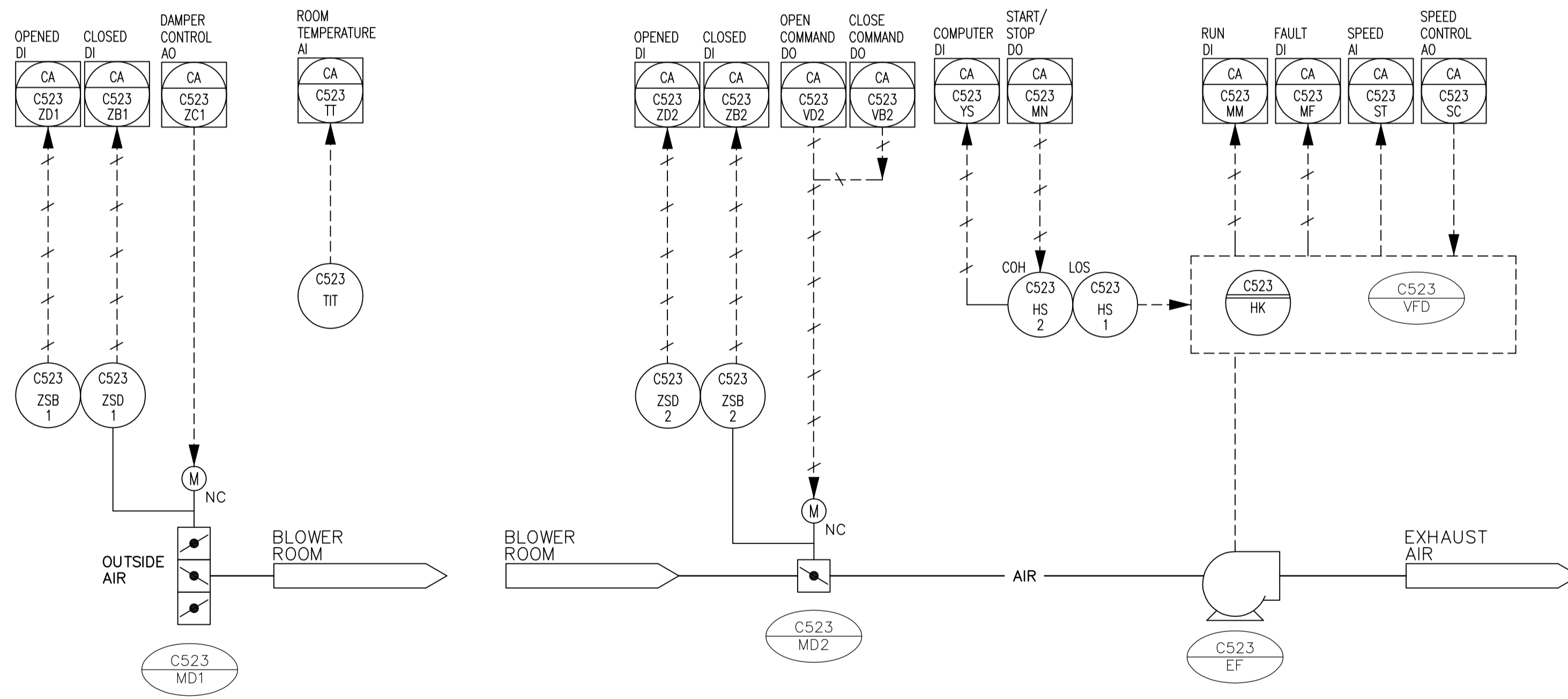


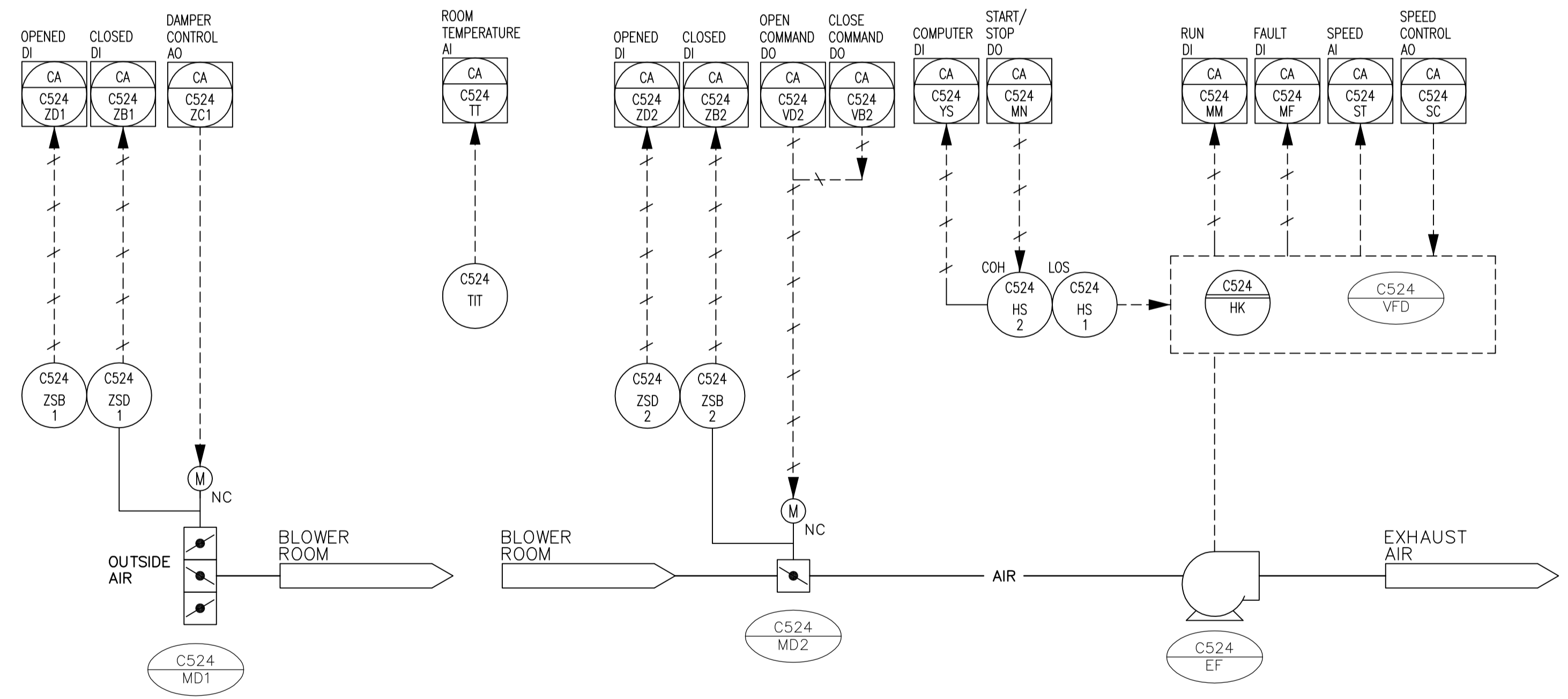
BLOWER ROOM EXHAUST FAN (C521)
SCALE : N.T.S.



BLOWER ROOM EXHAUST FAN (C522)
SCALE : N.T.S.



BLOWER ROOM EXHAUST FAN (C523)
SCALE : N.T.S.



BLOWER ROOM EXHAUST FAN (C524)
SCALE : N.T.S.

FOR SCHEMATIC LEGEND SEE P4.01, P4.02 AND P4.03

<p>Certificate of Authorization Earth Tech Canada Inc. No. 730 Expiry: April 30, 2007</p>	<p>B.M. ELEV.</p>	<p>A Tyco International Ltd. Company</p>	<p>ENGINEER'S SEAL</p>	<p>THE CITY OF WINNIPEG WATER AND WASTE DEPARTMENT ENGINEERING DIVISION</p>														
	<table border="1"> <tr> <td>DESIGNED BY</td> <td>AB</td> <td>CHECKED BY</td> <td>AB</td> </tr> <tr> <td>DRAWN BY</td> <td>DJP</td> <td>APPROVED BY</td> <td>JEH</td> </tr> <tr> <td>SCALE:</td> <td>AS NOTED</td> <td>RELEASED FOR CONSTRUCTION BY:</td> <td>K. MARTENS</td> </tr> <tr> <td>DATE</td> <td>2006/05/15</td> <td>DATE</td> <td>2006/05/15</td> </tr> </table>		DESIGNED BY		AB	CHECKED BY	AB	DRAWN BY	DJP	APPROVED BY	JEH	SCALE:	AS NOTED	RELEASED FOR CONSTRUCTION BY:	K. MARTENS	DATE	2006/05/15	DATE
DESIGNED BY	AB	CHECKED BY	AB															
DRAWN BY	DJP	APPROVED BY	JEH															
SCALE:	AS NOTED	RELEASED FOR CONSTRUCTION BY:	K. MARTENS															
DATE	2006/05/15	DATE	2006/05/15															
<p>00 ISSUED FOR TENDER 06/05/15 DJP</p>		<p>CONSULTANT DRAWING NO. M4.01</p>		<p>MECHANICAL HVAC SCHEMATICS BLOWER ROOM</p>														
<p>NO. REVISIONS DATE BY</p>		<p>CITY FILE NUMBER</p>		<p>SHEET OF</p>														
<p>CITY DRAWING NUMBER</p>		<p>CITY DRAWING NUMBER</p>		<p>CITY DRAWING NUMBER</p>														